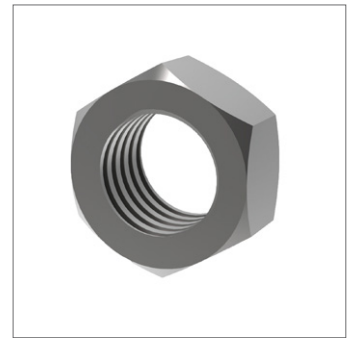
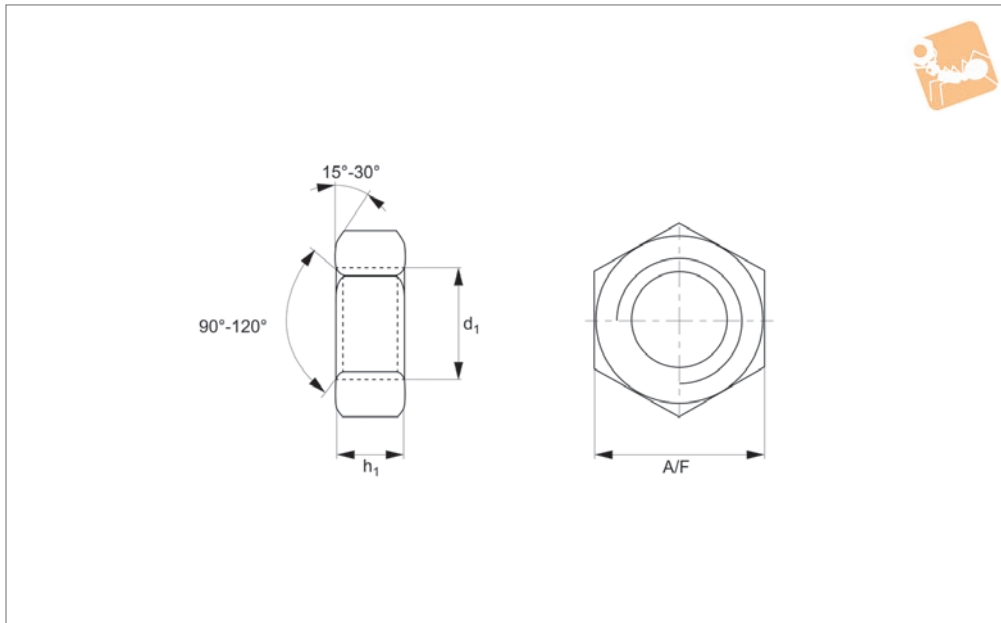




# Full Nuts Coarse Thread

Steel, self-colour



**P0301.SC**

NUTS

### Material

Steel (class 8), self-colour.

threads.

For fine thread full nuts see P0302.

### Technical Notes

To DIN 934. Standard metric coarse pitch

Order No.	d <sub>1</sub>	h <sub>1</sub> min.	A/F	Material
P0301.020-SC	M 2	1.35	4	Steel SC
P0301.025-SC	M2,5	1.75	5	Steel SC
P0301.030-SC	M 3	2.15	5.5	Steel SC
P0301.035-SC	M3,5	2.55	6	Steel SC
P0301.040-SC	M 4	2.9	7	Steel SC
P0301.050-SC	M 5	3.7	8	Steel SC
P0301.060-SC	M 6	4.7	10	Steel SC
P0301.070-SC	M 7	5.5	11	Steel SC
P0301.080-SC	M 8	6.14	13	Steel SC
P0301.100-SC	M10	7.64	17	Steel SC
P0301.120-SC	M12	9.64	19	Steel SC
P0301.140-SC	M14	10.3	22	Steel SC
P0301.160-SC	M16	12.3	24	Steel SC
P0301.180-SC	M18	14.3	27	Steel SC
P0301.200-SC	M20	14.9	30	Steel SC
P0301.220-SC	M22	16.9	32	Steel SC
P0301.240-SC	M24	17.7	36	Steel SC
P0301.270-SC	M27	20.7	41	Steel SC
P0301.300-SC	M30	22.7	46	Steel SC
P0301.330-SC	M33	24.7	50	Steel SC
P0301.360-SC	M36	27.4	55	Steel SC
P0301.420-SC	M42	32.4	65	Steel SC
P0301.480-SC	M48	36.4	75	Steel SC
P0301.520-SC	M52	42	80	Steel SC
P0301.560-SC	M56	45	85	Steel SC
P0301.600-SC	M60	48	90	Steel SC
P0301.640-SC	M64	51	95	Steel SC
P0301.680-SC	M68	54	100	Steel SC
P0301.720-SC	M72x6,0	58	105	Steel SC
P0301.800-SC	M80x6,0	64	115	Steel SC