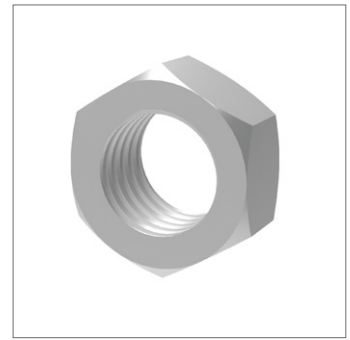
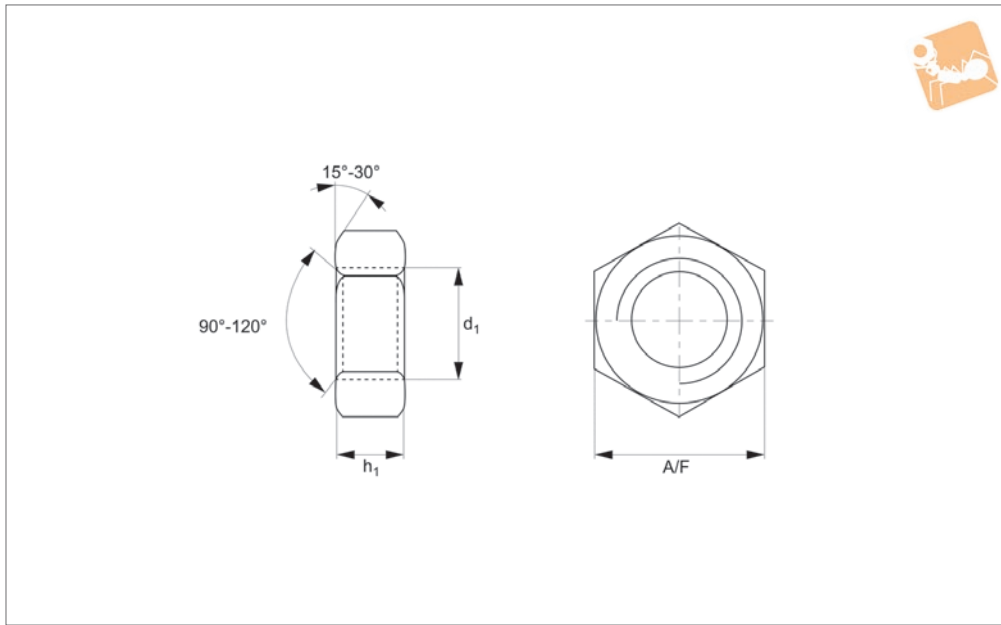




Full Nuts Left Hand Thread

Steel, zinc-plated



P0303.ZP

NUTS

Material

Steel (class 8), zinc plated.

Technical Notes

To DIN 934. These are the left hand thread versions.

Order No.	d ₁	h ₁ min.	A/F	Material
P0303.050-ZP	M 5	3.7	8	Steel ZP
P0303.060-ZP	M 6	4.7	10	Steel ZP
P0303.080-ZP	M 8	6.14	13	Steel ZP
P0303.100-ZP	M10	7.64	17	Steel ZP
P0303.120-ZP	M12	9.64	19	Steel ZP
P0303.140-ZP	M14	10.3	22	Steel ZP
P0303.160-ZP	M16	12.3	24	Steel ZP
P0303.180-ZP	M18	14.3	27	Steel ZP
P0303.200-ZP	M20	14.9	30	Steel ZP
P0303.220-ZP	M22	16.9	32	Steel ZP
P0303.240-ZP	M24	17.7	36	Steel ZP
P0303.270-ZP	M27	20.7	41	Steel ZP
P0303.300-ZP	M30	22.7	46	Steel ZP