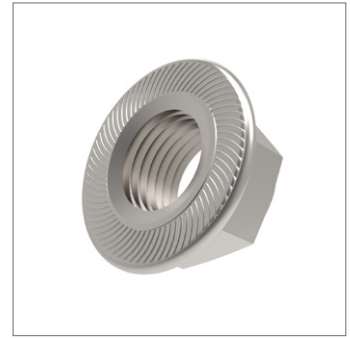
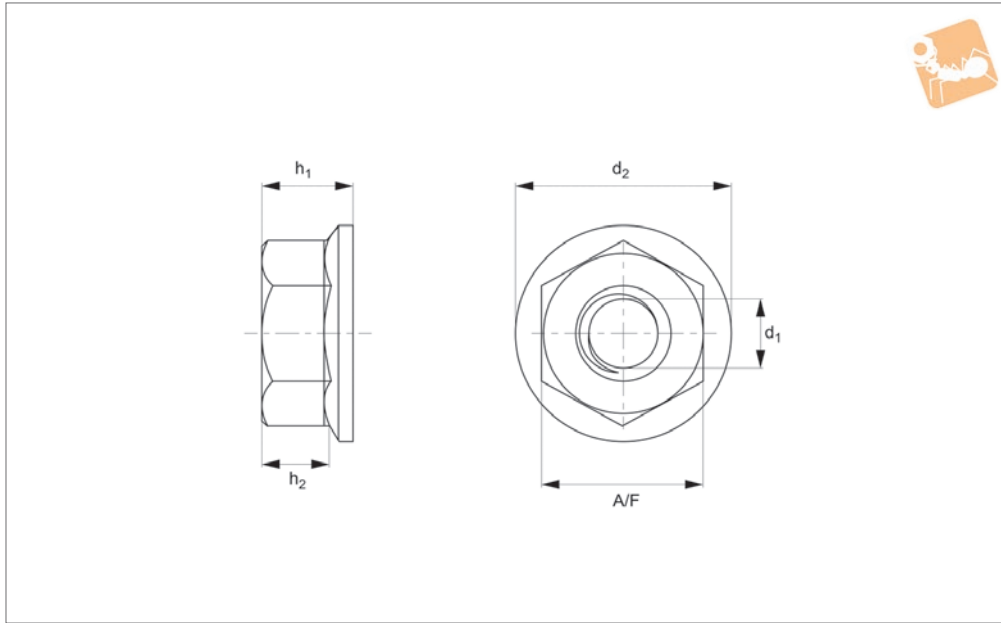


Serrated Flanged Nuts

Serrated - A4 stainless



P0309.A4

NUTS

Material
Stainless steel (A4).

Technical Notes
To DIN 6923, serrated.

Order No.	d ₁	d ₂ max.	h ₁ max.	h ₂ min.	A/F	Material
P0309.030-A4	M 3	8	3.7	-	5.5	A4 s/s
P0309.040-A4	M 4	10	4.65	1.9	7	A4 s/s
P0309.050-A4	M 5	11.8	5.0	2.2	8	A4 s/s
P0309.060-A4	M 6	14.2	6.0	3.1	10	A4 s/s
P0309.080-A4	M 8	17.9	8.0	4.5	13	A4 s/s
P0309.100-A4	M10	21.8	10.0	5.5	15	A4 s/s
P0309.120-A4	M12	26.0	12.0	6.7	18	A4 s/s
P0309.160-A4	M16	34.5	16.0	-	24	A4 s/s