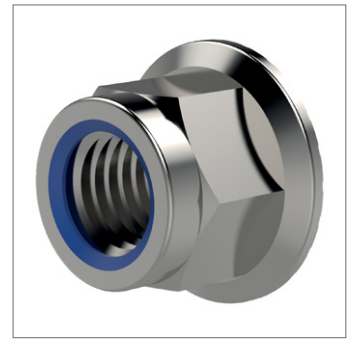
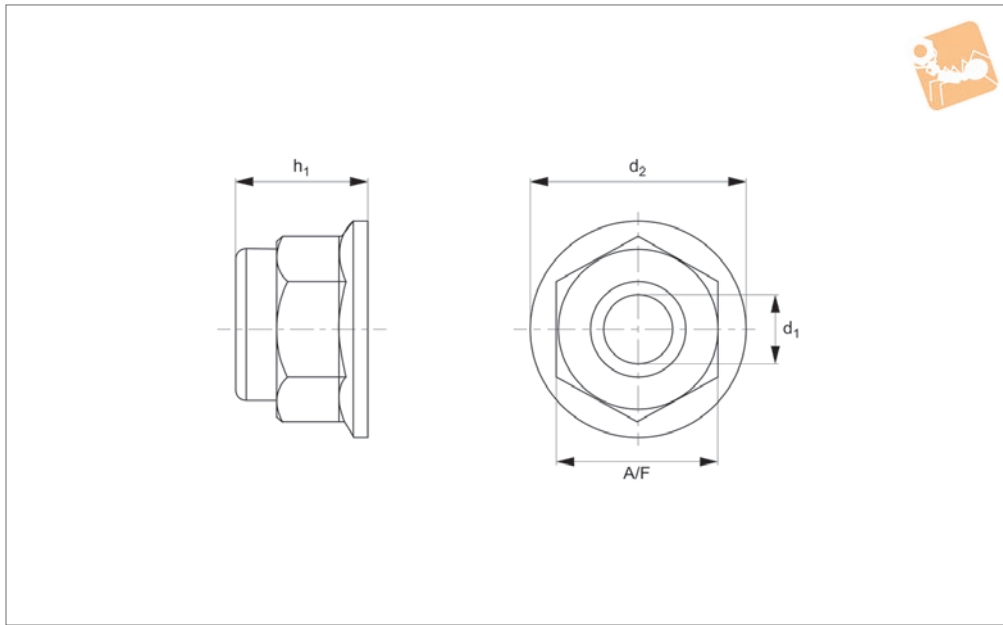




Nylon Insert Serrated Flanged Nuts

Serrated - A4 stainless nylon insert



P0310.A4

NUTS

Material

Stainless steel (A4).

Technical Notes

To DIN 6926, serrated.

Order No.	d ₁	d ₂ max.	h ₁	A/F	Material
P0310.040-A4	M 4	10	6,10 - 5,74	7	A4 stainless steel
P0310.050-A4	M 5	11.8	7,10 - 6,74	8	A4 stainless steel
P0310.060-A4	M 6	14.2	9,10 - 8,74	10	A4 stainless steel
P0310.080-A4	M 8	17.9	11,10 - 10,67	13	A4 stainless steel
P0310.100-A4	M10	21.8	13,50 - 13,07	15	A4 stainless steel
P0310.120-A4	M12	26.0	16,10 - 15,67	18	A4 stainless steel