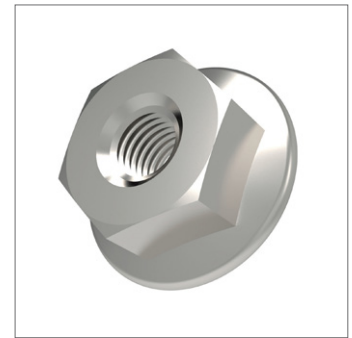
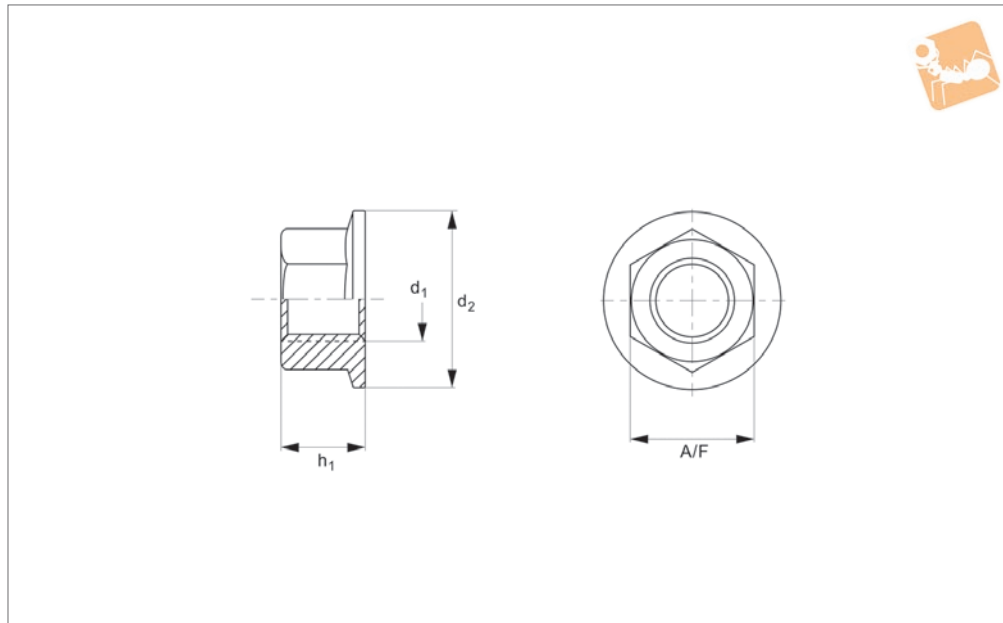




# Flanged Nuts A2 Stainless



**P0311.A2**

NUTS

### Material

Stainless steel (A2).

### Technical Notes

To DIN 6923.

Order No.	d <sub>1</sub>	d <sub>2</sub> max.	h <sub>1</sub> max.	A/F	Material
P0311.040-A2	M 4	10.0	4.5	7	A2 s/s
P0311.050-A2	M 5	11.8	5.0	8	A2 s/s
P0311.060-A2	M 6	14.2	6.0	10	A2 s/s
P0311.080-A2	M 8	17.9	8.0	13	A2 s/s
P0311.100-A2	M10	21.8	10.0	15	A2 s/s
P0311.120-A2	M12	26.0	12.0	18	A2 s/s
P0311.160-A2	M16	34.5	16.0	24	A2 s/s
P0311.200-A2	M20	43.0	20.0	30	A2 s/s
P0311.240-A2	M24	51.0	24.0	36	A2 s/s