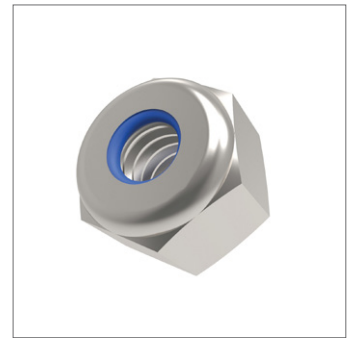
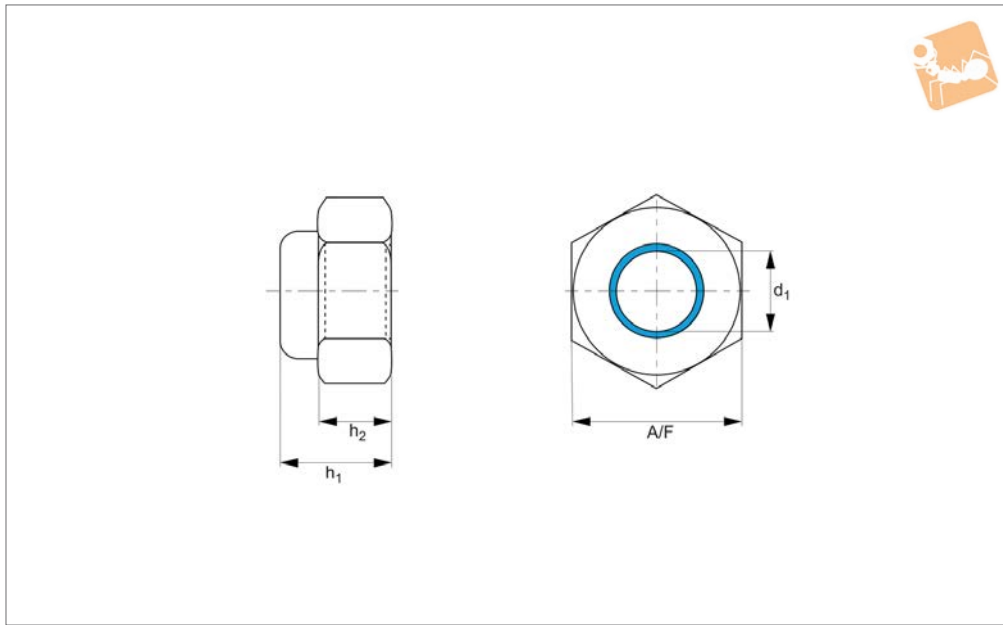




# Nylon Insert Nuts - High Type

High type - steel, zinc-plated



**P0315.ZP**

NUTS

**Material**

Steel (class 8), zinc-plated.

**Technical Notes**

To DIN 982.

Order No.	d <sub>1</sub>	h <sub>1</sub>	h <sub>2</sub>	A/F	Material
P0315.050-ZP	M 5	6.3	4.4	8	Steel ZP
P0315.060-ZP	M 6	8.0	4.9	10	Steel ZP
P0315.080-ZP	M 8	9.5	6.4	13	Steel ZP
P0315.100-ZP	M10	11.5	8.0	17	Steel ZP
P0315.120-ZP	M12	19	14	19	Steel ZP
P0315.140-ZP	M14	16	12	22	Steel ZP
P0315.160-ZP	M16	18	14	24	Steel ZP
P0315.200-ZP	M20	22	17	30	Steel ZP
P0315.240-ZP	M24	28	20	36	Steel ZP