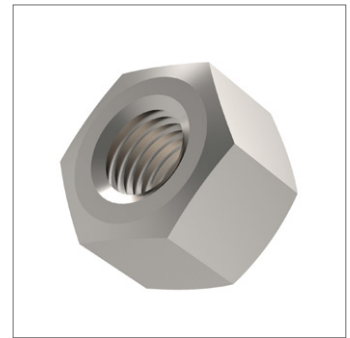
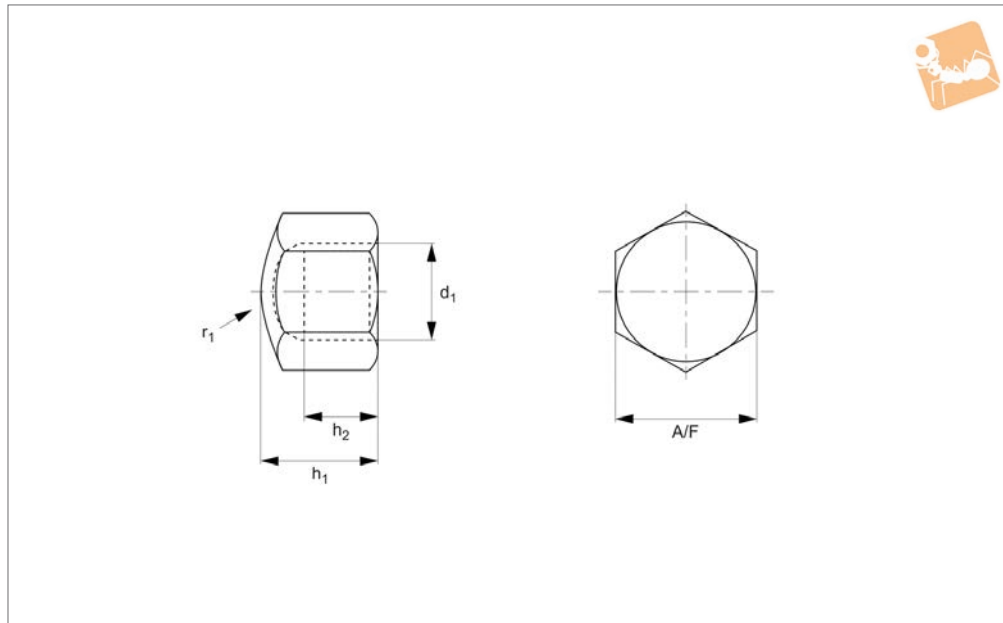




# Hexagon Cap Nuts

A2 stainless



**P0317.A2**

NUTS

### Material

Stainless steel (A2).

### Technical Notes

To DIN 917.

Order No.	d <sub>1</sub>	h <sub>1</sub>	h <sub>2</sub> min.	A/F	r <sub>1</sub>	Material
P0317.030-A2	M 3	5	3	5.5	-	A2 s/s
P0317.040-A2	M 4	5.5	4.4	7	8	A2 s/s
P0317.050-A2	M 5	7	5.2	8	10	A2 s/s
P0317.060-A2	M 6	9	7	10	12	A2 s/s
P0317.080-A2	M 8	12	9.5	13	15	A2 s/s
P0317.100-A2	M10	14	11	17	20	A2 s/s
P0317.120-A2	M12	16	13.5	19	25	A2 s/s
P0317.140-A2	M14	18	15	22	28	A2 s/s
P0317.160-A2	M16	20	17	24	30	A2 s/s
P0317.180-A2	M18	22	19	27	32	A2 s/s
P0317.200-A2	M20	25	21	30	35	A2 s/s
P0317.220-A2	M22	28	22	32	35	A2 s/s
P0317.240-A2	M24	30	24	36	40	A2 s/s
P0317.270-A2	M27	32	26	41	50	A2 s/s
P0317.300-A2	M30	34	28	46	60	A2 s/s