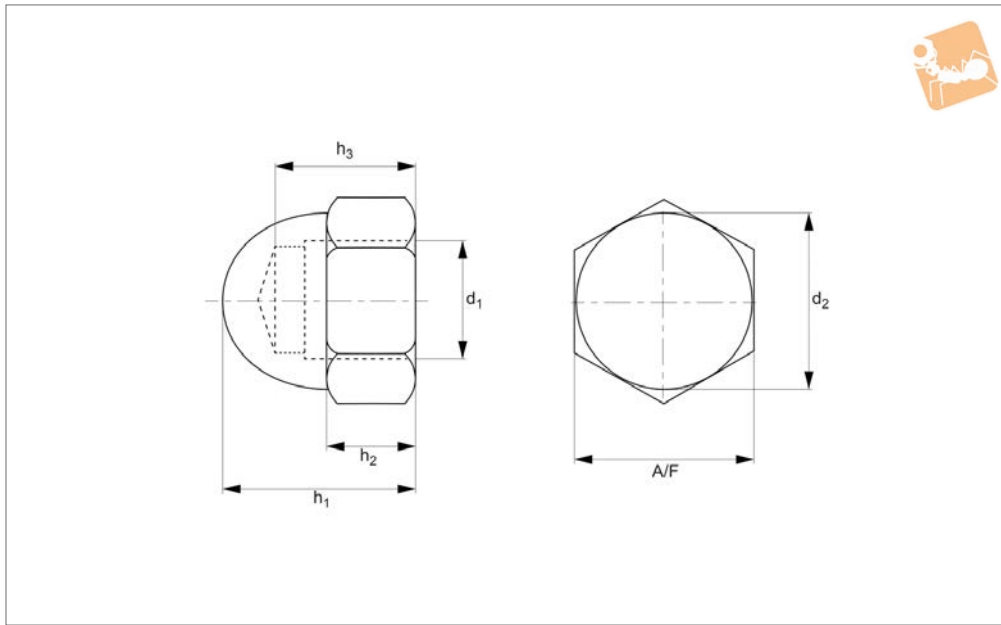




Hexagon Domed Nuts

Nylon



P0318.NL

NUTS

Material
Nylon.

Technical Notes
To DIN 1587.

Order No.	d_1	h_1 max.	h_2 max.	h_3	d_2	A/F	Material
P0318.030-NL	M 3	6	2.4	4.5	5.5	5.5	Nylon
P0318.040-NL	M 4	8	3.2	4.5	6.5	7.0	Nylon
P0318.050-NL	M 5	10	7.5	7.5	7.5	8.0	Nylon
P0318.060-NL	M 6	12	8.0	8.0	9.5	10.0	Nylon
P0318.080-NL	M 8	15	6.5	11.0	12.5	13.0	Nylon
P0318.100-NL	M10	18	8.0	13.0	16.0	17.0	Nylon