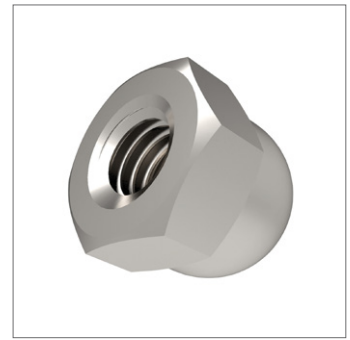
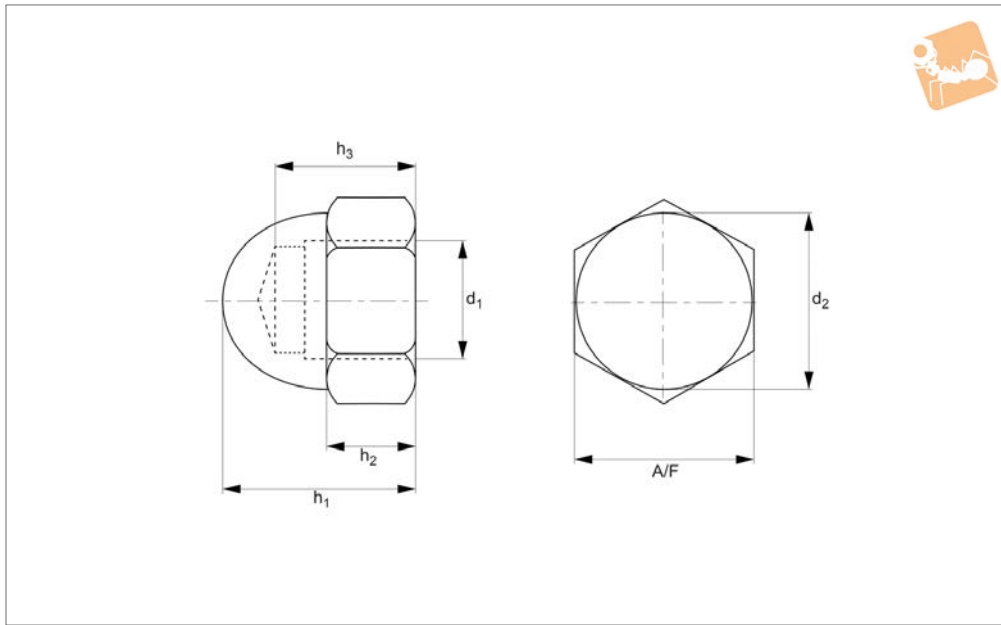




# Hexagon Domed Nuts

Steel, self-colour



**P0318.SC**

NUTS

**Material**

Steel (class 8), self-colour.

**Technical Notes**

To DIN 1587.

Order No.	d <sub>1</sub>	h <sub>1</sub> max.	h <sub>2</sub> max.	h <sub>3</sub>	d <sub>2</sub>	A/F	Material
P0318.060-SC	M 6	12	5.0	8.0	9.5	10.0	Steel SC
P0318.080-SC	M 8	15	6.5	11.0	12.5	13.0	Steel SC
P0318.100-SC	M10	18	8.0	13.0	16.0	17.0	Steel SC
P0318.120-SC	M12	22	10	16.0	18.0	19.0	Steel SC
P0318.160-SC	M16	28	13	21.0	23.0	24.0	Steel SC
P0318.200-SC	M20	34	16	26.0	30.0	30.0	Steel SC
P0318.240-SC	M24	42	19	31.0	34.0	36.0	Steel SC
P0318.270-SC	M27	47	22	35.0	40.0	41.0	Steel SC
P0318.300-SC	M30	52	24	38.0	42.0	46.0	Steel SC