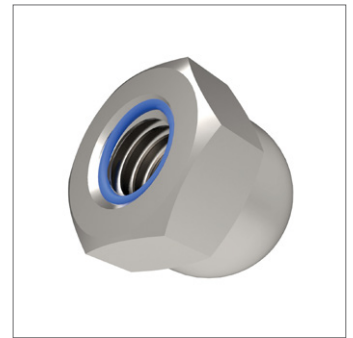
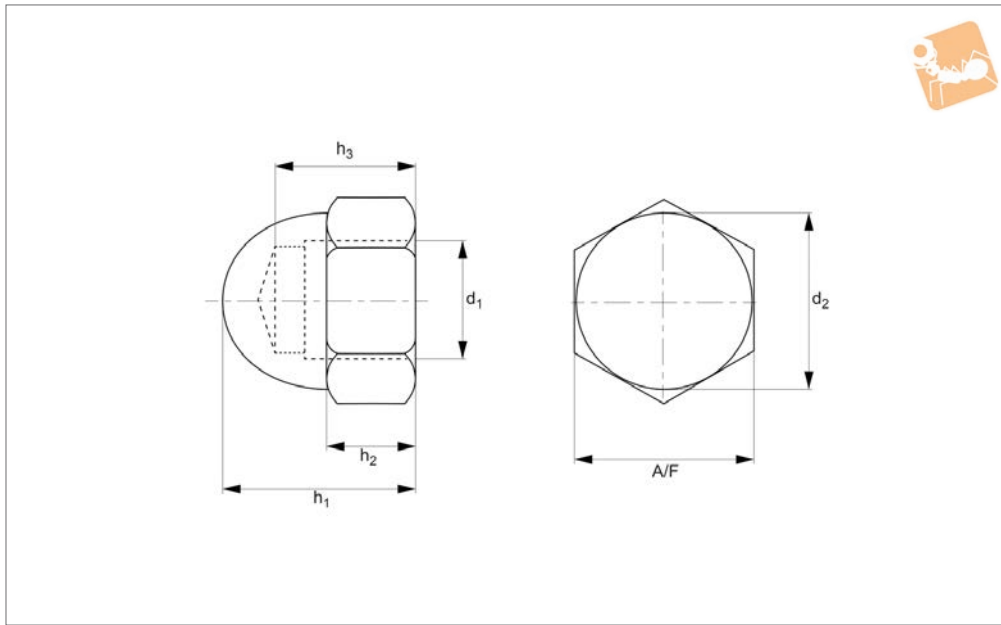




Nylon Insert Domed Nuts

Nylon insert - A2 stainless



P0319.A2

NUTS

Material

Stainless steel (A2, AISI 303).

Technical Notes

To DIN 986.

Order No.	d_1	h_1 max.	h_2 max.	A/F	Material
P0319.040-A2	M 4	9.6	2.90	7	A2 s/s
P0319.050-A2	M 5	10.5	4.40	8	A2 s/s
P0319.060-A2	M 6	12.0	4.90	10	A2 s/s
P0319.080-A2	M 8	14.0	6.44	13	A2 s/s
P0319.100-A2	M10	18.1	8.04	17	A2 s/s
P0319.120-A2	M12	22.5	10.37	19	A2 s/s
P0319.160-A2	M16	27.5	14.10	24	A2 s/s