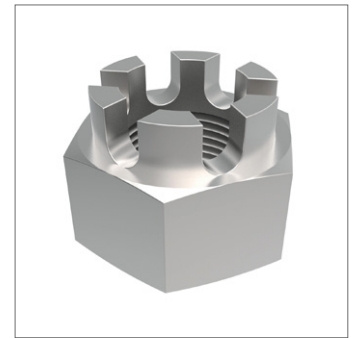
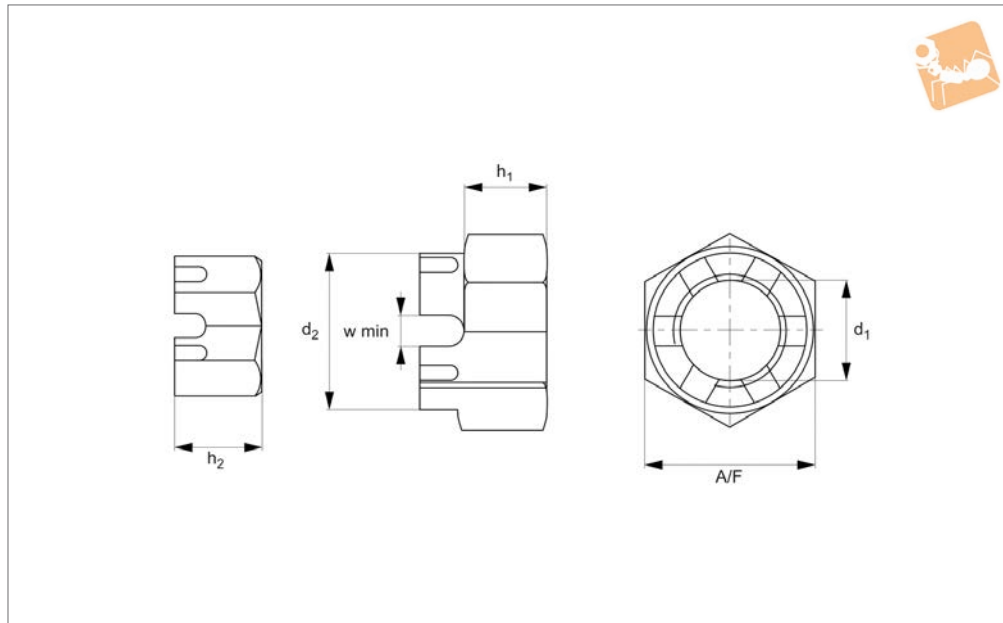




Hexagon Castle Nuts

Steel, zinc-plated



P0320.ZP

NUTS

Material

Steel (class 4), zinc-plated.

Technical Notes

To DIN 935.

Order No.	d ₁	h ₁	h ₂	d ₂	w min.	A/F	Material
P0320.050-ZP	M 5	4.0	6.0	-	1.4	8	Steel ZP
P0320.060-ZP	M 6	5.0	7.5	-	2.0	10	Steel ZP
P0320.080-ZP	M 8	6.5	9.5	-	2.5	13	Steel ZP
P0320.100-ZP	M10	8.0	12.0	-	2.8	17	Steel ZP
P0320.120-ZP	M12	10.0	15.0	17	3.5	19	Steel ZP
P0320.140-ZP	M14	11.0	16.0	19	3.5	22	Steel ZP
P0320.160-ZP	M16	13.0	19.0	22	4.5	24	Steel ZP
P0320.180-ZP	M18	15.0	21.0	25	4.5	27	Steel ZP
P0320.200-ZP	M20	16.0	22.0	28	4.5	30	Steel ZP
P0320.240-ZP	M24	19.0	27.0	34	5.5	36	Steel ZP
P0320.270-ZP	M27	22.0	30.0	38	5.5	41	Steel ZP
P0320.300-ZP	M30	24.0	33.0	42	7.0	46	Steel ZP
P0320.360-ZP	M36	29.0	38.0	50	7.0	55	Steel ZP