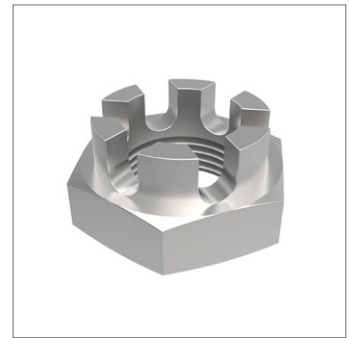
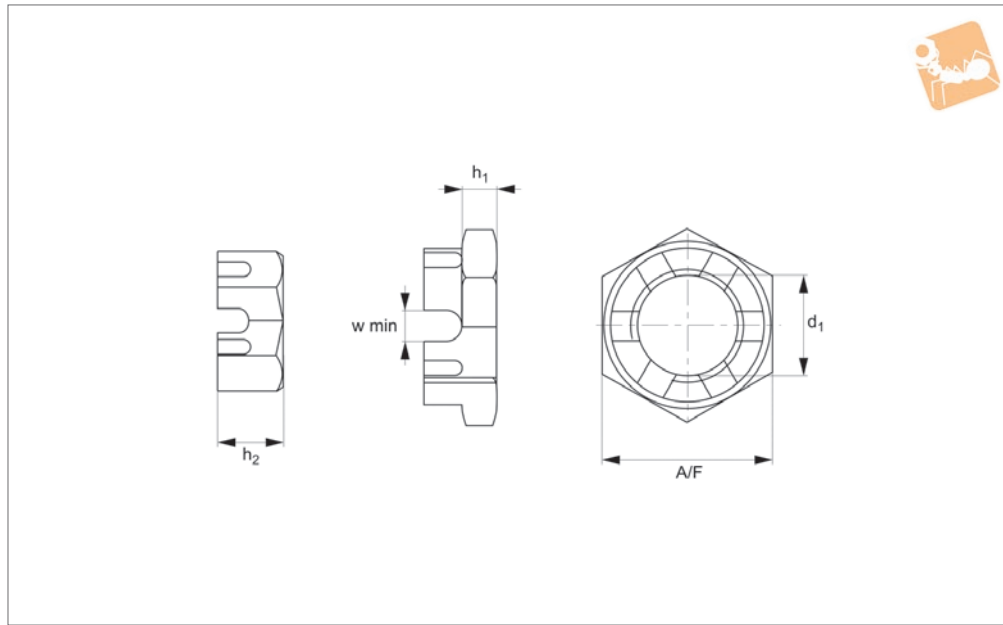




# Hexagon Castle Nuts Thin Type

Thin Type - A2 stainless



**P0321.A2**

NUTS

**Material**  
Stainless steel (A2).

**Technical Notes**  
To DIN 937.

Order No.	d <sub>1</sub>	h <sub>1</sub>	h <sub>2</sub>	w min.	A/F	Material
P0321.060-A2	M 6	3.5	5.70	2.0	10	A2 s/s
P0321.080-A2	M 8	4.5	7.64	2.5	13	A2 s/s
P0312.100-A2	M10	5.0	8.64	2.8	17	A2 s/s
P0321.120-A2	M12	6.0	9.64	3.5	19	A2 s/s
P0321.140-A2	M14	7.0	10.57	3.5	22	A2 s/s
P0321.160-A2	M16	7.0	11.57	4.5	24	A2 s/s
P0321.180-A2	M18	8.0	12.30	4.5	27	A2 s/s
P0321.200-A2	M20	8.0	12.30	4.5	30	A2 s/s
P0321.240-A2	M24	9.0	14.30	5.5	36	A2 s/s
P0321.270-A2	M27	11.0	16.30	5.5	41	A2 s/s
P0321.300-A2	M30	11.0	17.30	7.0	46	A2 s/s