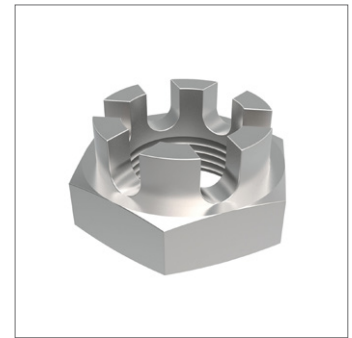
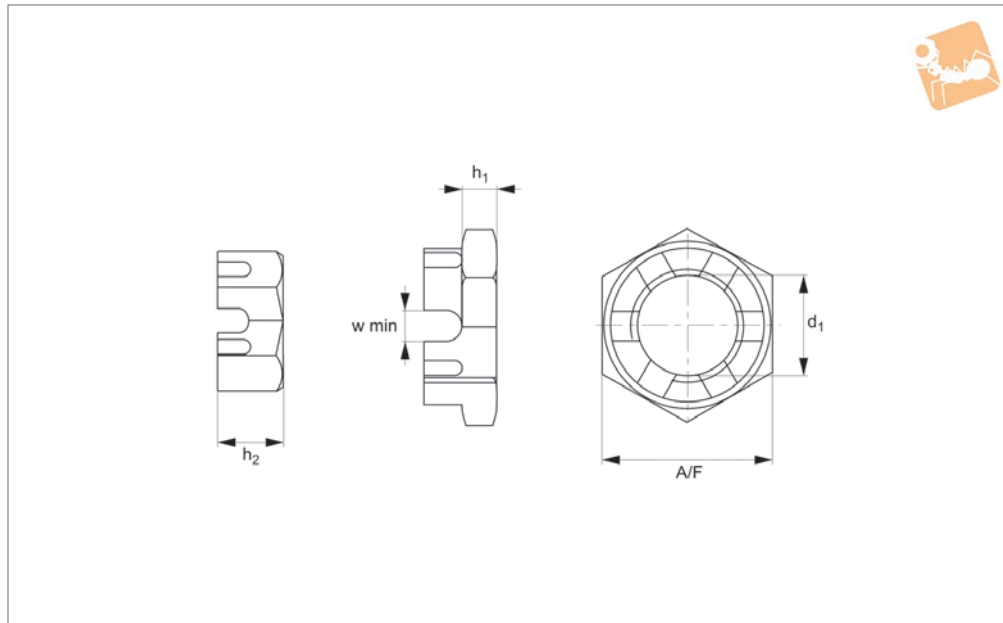




Hexagon Castle Nuts Thin Type

Thin Type - steel, zinc-plated



P0321.ZP

NUTS

Material

Steel, zinc-plated.

Technical Notes

To DIN 937.

Order No.	d ₁	h ₁	h ₂	w min.	A/F	Material
P0321.060-ZP	M 6	3.5	5.70	2.0	10	Steel ZP
P0321.080-ZP	M 8	4.5	7.64	2.5	13	Steel ZP
P0321.100-ZP	M10	5.0	8.64	2.8	17	Steel ZP
P0321.120-ZP	M12	6.0	9.64	3.5	19	Steel ZP
P0321.140-ZP	M14	7.0	10.57	3.5	22	Steel ZP
P0321.160-ZP	M16	7.0	11.57	4.5	24	Steel ZP
P0321.180-ZP	M18	8.0	12.30	4.5	27	Steel ZP
P0321.200-ZP	M20	8.0	12.30	4.5	30	Steel ZP
P0321.240-ZP	M24	9.0	14.30	5.5	36	Steel ZP
P0321.270-ZP	M27	11.0	16.30	5.5	41	Steel ZP
P0321.300-ZP	M30	11.0	17.30	7.0	46	Steel ZP