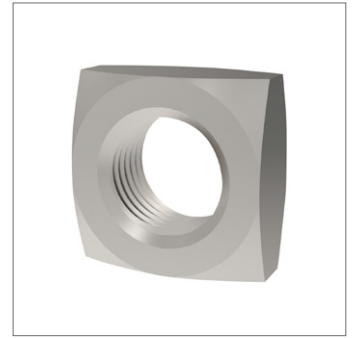
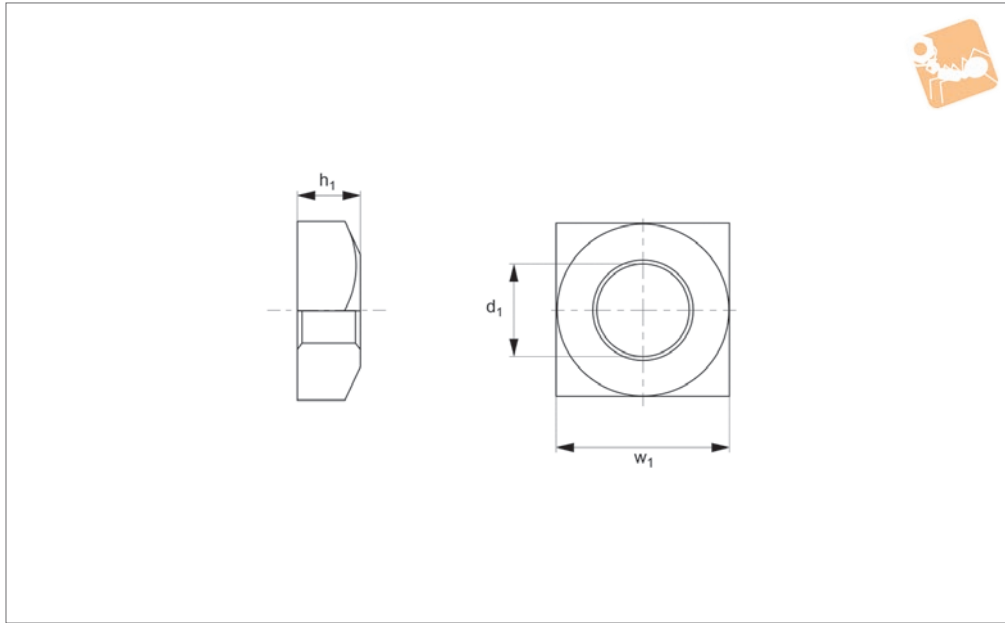




# Chamfered Square Nuts

Chamfered - A4 stainless



**P0324.A4**

NUTS

### Material

Stainless steel (A4).

### Technical Notes

To DIN 557. Standard metric coarse threads.

| Order No.    | $d_1$ | $w_1$ | $h_1$ | Material |
|--------------|-------|-------|-------|----------|
| P0324.050-A4 | M 5   | 8     | 4.0   | A4 s/s   |
| P0324.060-A4 | M 6   | 10    | 5.0   | A4 s/s   |
| P0324.080-A4 | M 8   | 13    | 6.0   | A4 s/s   |
| P0324.100-A4 | M10   | 17    | 8.0   | A4 s/s   |
| P0324.120-A4 | M12   | 19    | 10    | A4 s/s   |
| P0324.160-A4 | M16   | 24    | 13    | A4 s/s   |