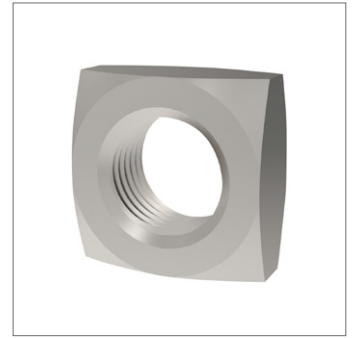
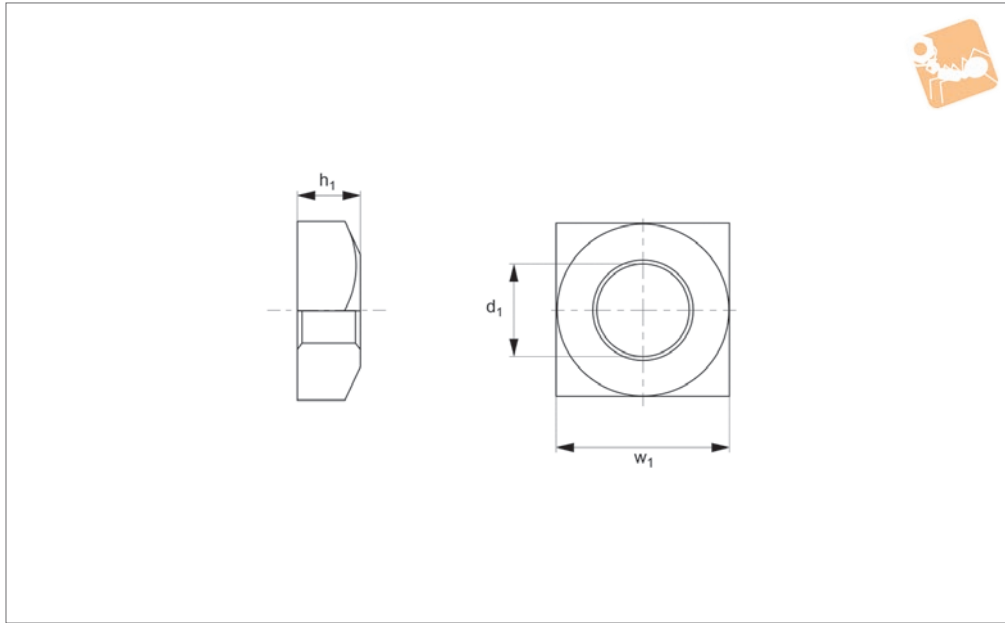




Chamfered Square Nuts

Chamfered - steel, zinc-plated



P0324.ZP

NUTS

Material

Steel (class 5 or over), zinc-plated.

Technical Notes

To DIN 557. Standard metric coarse threads.

Order No.	d_1	w_1	h_1	Material
P0324.050-ZP	M 5	8	4.0	Steel ZP
P0324.060-ZP	M 6	10	5.0	Steel ZP
P0324.080-ZP	M 8	13	6.0	Steel ZP
P0324.100-ZP	M10	17	8.0	Steel ZP
P0324.120-ZP	M12	19	10	Steel ZP
P0324.040-ZP	M 4	7	3.2	Steel ZP