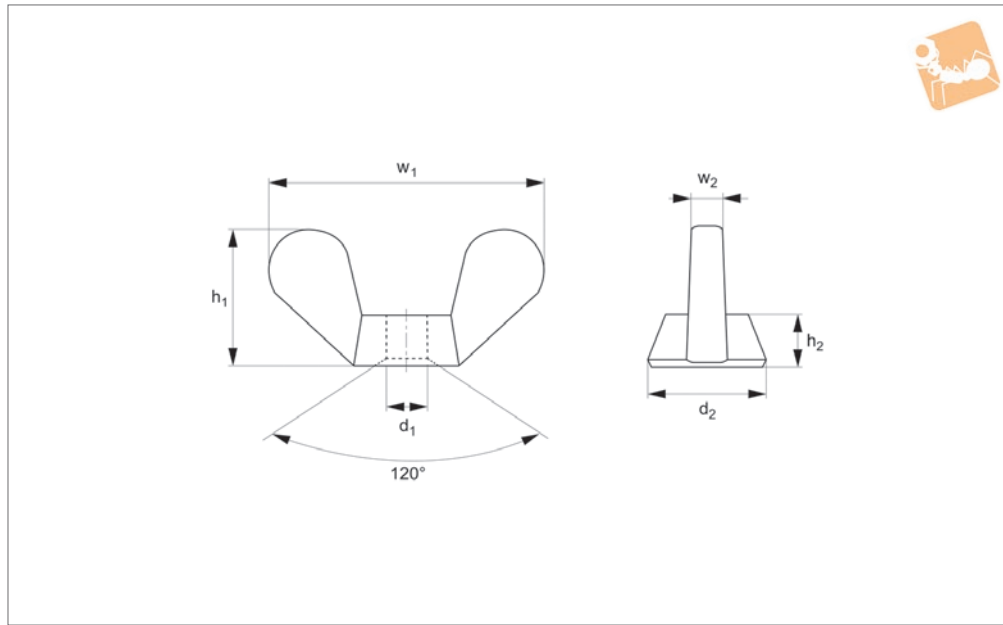




Wing Nuts

Female thread - A2 stainless



P0328.A2

NUTS

Material
Stainless steel (A2).

Technical Notes
To DIN 315 AF.

Order No.	d ₁	w ₁	h ₁	h ₂ max.	Material
P0328.030-A2	M 3	18.5	8.8	3.0	A2 s/s
P0328.040-A2	M 4	18.5	8.8	3.0	A2 s/s
P0328.050-A2	M 5	22.0	10.5	4.0	A2 s/s
P0328.060-A2	M 6	26.8	12.9	4.9	A2 s/s
P0328.080-A2	M 8	30.3	14.8	5.4	A2 s/s
P0328.100-A2	M10	35.3	17.3	6.3	A2 s/s
P0328.120-A2	M12	47.5	22.5	7.9	A2 s/s
P0328.160-A2	M16	65.0	30.8	10.6	A2 s/s
P0328.200-A2	M20	67.0	31.2	12.2	A2 s/s