

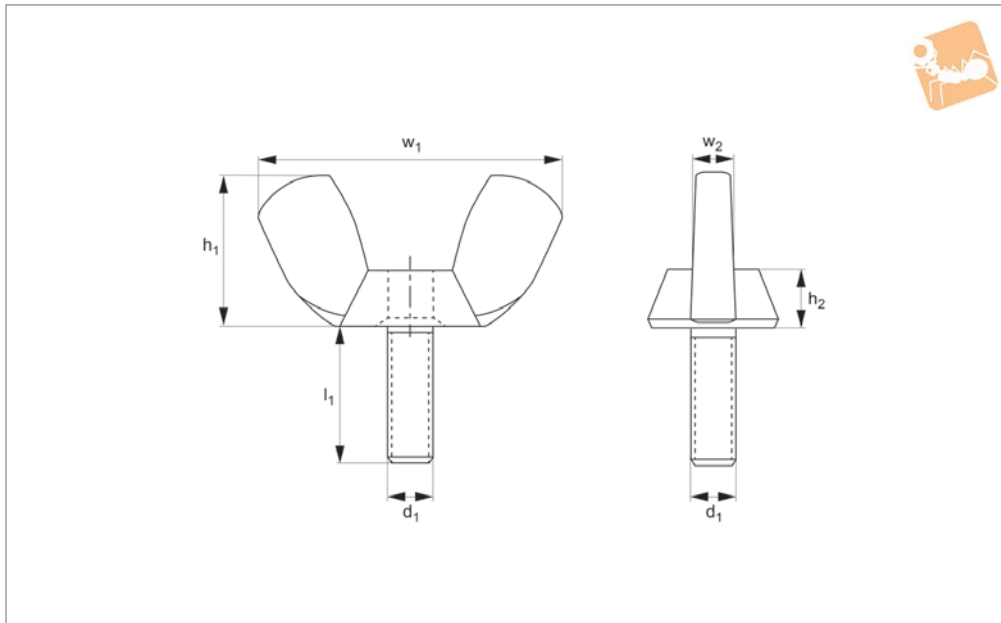


# Wing Screws

Male thread - A4 stainless



Nuts



**P0329.A4**

NUTS

### Material

Stainless steel (A4, AISI 316).

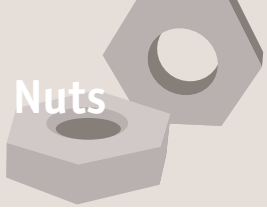
### Tips

Other sizes available on request.

### Technical Notes

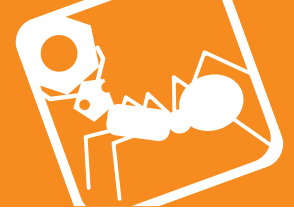
To DIN 316 AF.

Order No.	d <sub>1</sub>	w <sub>1</sub>	w <sub>2</sub>	h <sub>1</sub>	h <sub>2</sub>	l <sub>1</sub>	Material
P0329.030-010-A4	M 3	17.6	1.2	8.6	2.4	10	A4 s/s
P0329.030-012-A4	M 3	17.6	1.2	8.6	2.4	12	A4 s/s
P0329.030-016-A4	M 3	17.6	1.2	8.6	2.4	16	A4 s/s
P0329.030-020-A4	M 3	17.6	1.2	8.6	2.4	20	A4 s/s
P0329.030-025-A4	M 3	17.6	1.2	8.6	2.4	25	A4 s/s
P0329.030-030-A4	M 3	17.6	1.2	8.6	2.4	30	A4 s/s
P0329.040-010-A4	M 4	18.0	1.6	8.5	3.2	10	A4 s/s
P0329.040-012-A4	M 4	18.0	1.6	8.5	3.2	12	A4 s/s
P0329.040-016-A4	M 4	18.0	1.6	8.5	3.2	16	A4 s/s
P0329.040-020-A4	M 4	18.0	1.6	8.5	3.2	20	A4 s/s
P0329.040-025-A4	M 4	18.0	1.6	8.5	3.2	25	A4 s/s
P0329.040-030-A4	M 4	18.0	1.6	8.5	3.2	30	A4 s/s
P0329.040-035-A4	M 4	18.0	1.6	8.5	3.2	35	A4 s/s
P0329.040-040-A4	M 4	18.0	1.6	8.5	3.2	40	A4 s/s
P0329.050-010-A4	M 5	24.0	2.1	11.0	4.0	10	A4 s/s
P0329.050-012-A4	M 5	24.0	2.1	11.0	4.0	12	A4 s/s
P0329.050-016-A4	M 5	24.0	2.1	11.0	4.0	16	A4 s/s
P0329.050-020-A4	M 5	24.0	2.1	11.0	4.0	20	A4 s/s
P0329.050-025-A4	M 5	24.0	2.1	11.0	4.0	25	A4 s/s
P0329.050-030-A4	M 5	24.0	2.1	11.0	4.0	30	A4 s/s
P0329.050-035-A4	M 5	24.0	2.1	11.0	4.0	35	A4 s/s
P0329.050-040-A4	M 5	24.0	2.1	11.0	4.0	40	A4 s/s
P0329.050-045-A4	M 5	24.0	2.1	11.0	4.0	45	A4 s/s
P0329.050-050-A4	M 5	24.0	2.1	11.0	4.0	50	A4 s/s
P0329.060-010-A4	M 6	30.0	2.5	15.0	5.0	10	A4 s/s
P0329.060-012-A4	M 6	30.0	2.5	15.0	5.0	12	A4 s/s
P0329.060-016-A4	M 6	30.0	2.5	15.0	5.0	16	A4 s/s
P0329.060-020-A4	M 6	30.0	2.5	15.0	5.0	20	A4 s/s
P0329.060-025-A4	M 6	30.0	2.5	15.0	5.0	25	A4 s/s
P0329.060-030-A4	M 6	30.0	2.5	15.0	5.0	30	A4 s/s
P0329.060-035-A4	M 6	30.0	2.5	15.0	5.0	35	A4 s/s
P0329.060-040-A4	M 6	30.0	2.5	15.0	5.0	40	A4 s/s
P0329.060-045-A4	M 6	30.0	2.5	15.0	5.0	45	A4 s/s
P0329.060-050-A4	M 6	30.0	2.5	15.0	5.0	50	A4 s/s



## Wing Screws

Male thread - A4 stainless



Order No.	d <sub>1</sub>	w <sub>1</sub>	w <sub>2</sub>	h <sub>1</sub>	h <sub>2</sub>	l <sub>1</sub>	Material
P0329.080-010-A4	M 8	36.0	2.8	18.0	6.5	10	A4 s/s
P0329.080-012-A4	M 8	36.0	2.8	18.0	6.5	12	A4 s/s
P0329.080-016-A4	M 8	36.0	2.8	18.0	6.5	16	A4 s/s
P0329.080-020-A4	M 8	36.0	2.8	18.0	6.5	20	A4 s/s
P0329.080-025-A4	M 8	36.0	2.8	18.0	6.5	25	A4 s/s
P0329.080-030-A4	M 8	36.0	2.8	18.0	6.5	30	A4 s/s
P0329.080-035-A4	M 8	36.0	2.8	18.0	6.5	35	A4 s/s
P0329.080-040-A4	M 8	36.0	2.8	18.0	6.5	40	A4 s/s
P0329.080-045-A4	M 8	36.0	2.8	18.0	6.5	45	A4 s/s
P0329.080-050-A4	M 8	36.0	2.8	18.0	6.5	50	A4 s/s
P0329.080-055-A4	M 8	36.0	2.8	18.0	6.5	55	A4 s/s
P0329.080-060-A4	M 8	36.0	2.8	18.0	6.5	60	A4 s/s
P0329.100-016-A4	M10	48.0	3.3	23.0	8.0	16	A4 s/s
P0329.100-020-A4	M10	48.0	3.3	23.0	8.0	20	A4 s/s
P0329.100-025-A4	M10	48.0	3.3	23.0	8.0	25	A4 s/s
P0329.100-030-A4	M10	48.0	3.3	23.0	8.0	30	A4 s/s
P0329.100-035-A4	M10	48.0	3.3	23.0	8.0	35	A4 s/s
P0329.100-040-A4	M10	48.0	3.3	23.0	8.0	40	A4 s/s
P0329.100-045-A4	M10	48.0	3.3	23.0	8.0	45	A4 s/s
P0329.100-050-A4	M10	48.0	3.3	23.0	8.0	50	A4 s/s
P0329.100-055-A4	M10	48.0	3.3	23.0	8.0	55	A4 s/s
P0329.100-060-A4	M10	48.0	3.3	23.0	8.0	60	A4 s/s
P0329.120-020-A4	M12	62.0	4.5	31.0	10.0	20	A4 s/s
P0329.120-025-A4	M12	62.0	4.5	31.0	10.0	25	A4 s/s
P0329.120-030-A4	M12	62.0	4.5	31.0	10.0	30	A4 s/s