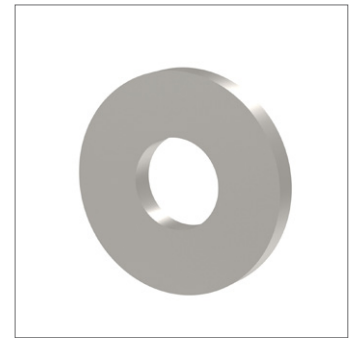
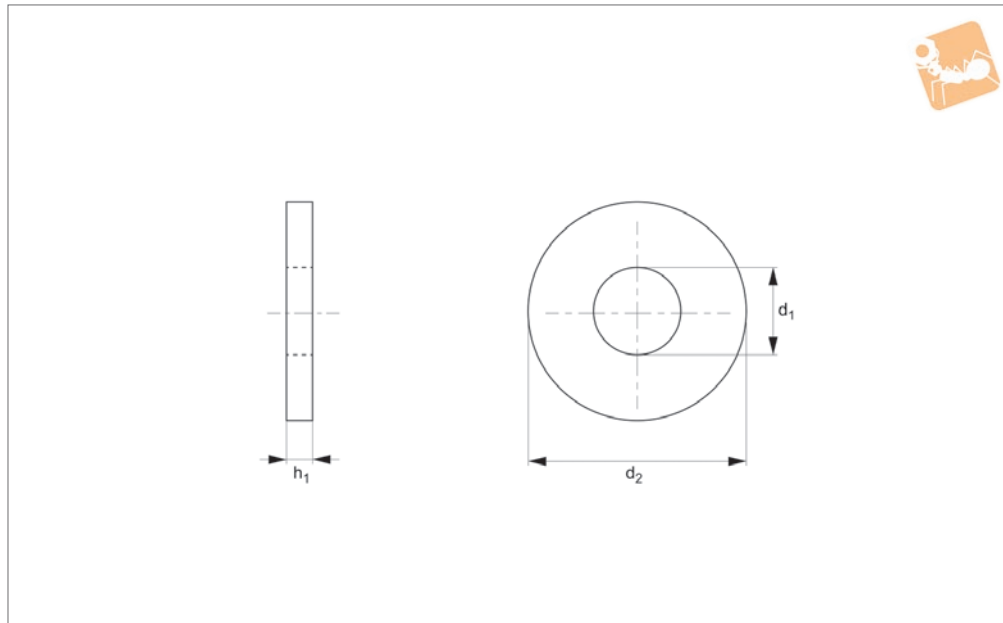




Flat Washers Form B

A4 stainless

Flat Washers



P0331.A4

FLAT WASHERS

Material

Stainless steel (A4).

Technical Notes

To DIN 125 B, BS4320B.

| Order No. | For thread | d_1 | h_1 | d_2 | Material |
|--------------|------------|-------|-------|-------|----------|
| P0331.050-A4 | M 5 | 5.3 | 0.8 | 10 | A4 s/s |
| P0331.060-A4 | M 6 | 6.4 | 0.8 | 12.5 | A4 s/s |
| P0331.070-A4 | M 7 | 7.4 | 0.8 | 14 | A4 s/s |
| P0331.080-A4 | M 8 | 8.4 | 1.0 | 17 | A4 s/s |
| P0331.100-A4 | M10 | 10.5 | 1.25 | 21 | A4 s/s |
| P0331.120-A4 | M12 | 13.0 | 1.6 | 24 | A4 s/s |
| P0331.140-A4 | M14 | 15.0 | 1.6 | 28 | A4 s/s |
| P0331.160-A4 | M16 | 17.0 | 2.0 | 30 | A4 s/s |
| P0331.180-A4 | M18 | 19.0 | 2.0 | 34 | A4 s/s |
| P0331.200-A4 | M20 | 21.0 | 2.0 | 37 | A4 s/s |
| P0331.220-A4 | M22 | 23.0 | 2.0 | 39 | A4 s/s |
| P0331.240-A4 | M24 | 25.0 | 2.5 | 44 | A4 s/s |
| P0331.270-A4 | M27 | 28.0 | 2.5 | 50 | A4 s/s |
| P0331.300-A4 | M30 | 31.0 | 2.5 | 56 | A4 s/s |