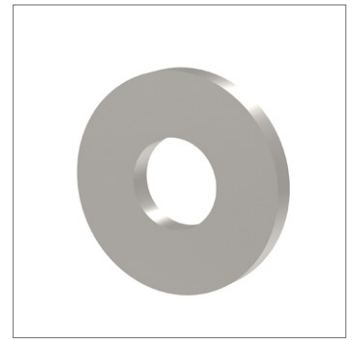
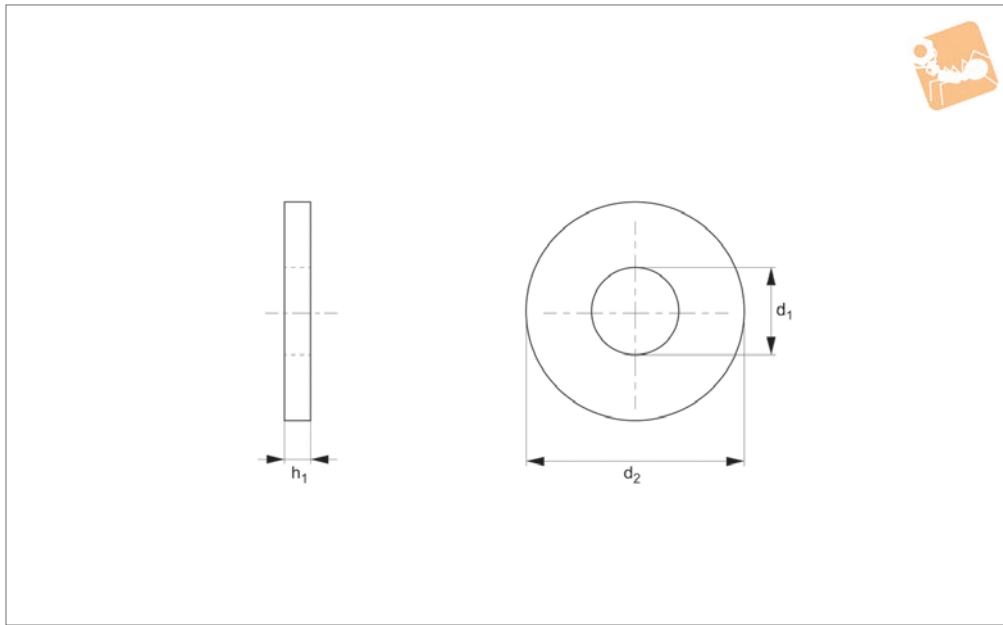




Heavy Flat Washers

Heavy - steel, zinc-plated



P0336.ZP

FLAT WASHERS

Material

Steel, zinc-plated.

Technical Notes

To DIN 7349.

Order No.	d ₁	d ₂	For thread	h	Material
P0336.030-ZP	3.2	9	M 3	1.0	Steel ZP
P0336.040-ZP	4.3	12	M 4	1.6	Steel ZP
P0336.050-ZP	5.3	15	M 5	2.0	Steel ZP
P0336.060-ZP	6.4	17	M 6	3.0	Steel ZP
P0336.080-ZP	8.4	21	M 8	4.0	Steel ZP
P0336.100-ZP	10.5	25	M10	4.0	Steel ZP
P0336.120-ZP	13.0	30	M12	6.0	Steel ZP
P0336.140-ZP	15.0	36	M14	6.0	Steel ZP
P0336.160-ZP	17.0	40	M16	6.0	Steel ZP
P0336.180-ZP	19.0	44	M18	8.0	Steel ZP
P0336.200-ZP	21.0	44	M20	8.0	Steel ZP
P0336.220-ZP	23.0	50	M22	8.0	Steel ZP
P0336.240-ZP	25.0	50	M24	10.0	Steel ZP
P0336.270-ZP	28.0	60	M27	10.0	Steel ZP
P0336.300-ZP	31.0	68	M30	10.0	Steel ZP