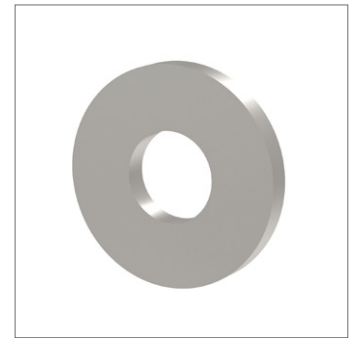
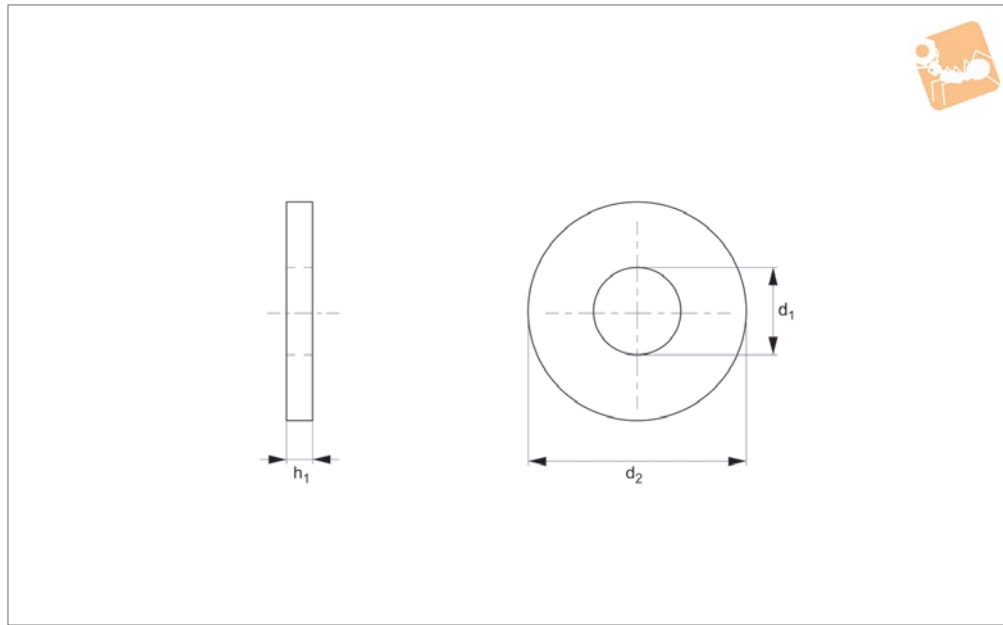




Large Diameter Washers

Large diameter - A2 stainless



P0337.A2

FLAT WASHERS

Material

Stainless steel (A2).

Technical Notes

To DIN 9021, ISO 7093.

Order No.	For thread	d_1	d_2	h_1	Material
P0337.020-A2	M 2	2.2	6	0.8	A2 s/s
P0337.025-A2	M2,5	2.7	8	0.8	A2 s/s
P0337.030-A2	M 3	3.2	9	0.8	A2 s/s
P0337.035-A2	M3,5	3.7	11	0.8	A2 s/s
P0337.040-A2	M 4	4.3	12	1.0	A2 s/s
P0337.050-A2	M 5	5.3	15	1.2	A2 s/s
P0337.060-A2	M 6	6.4	18	1.6	A2 s/s
P0337.070-A2	M 7	7.4	22	2.0	A2 s/s
P0337.080-A2	M 8	8.4	24	2.0	A2 s/s
P0337.100-A2	M10	10.5	30	2.5	A2 s/s
P0337.120-A2	M12	13.0	37	3.0	A2 s/s
P0337.140-A2	M14	15.0	44	3.0	A2 s/s
P0337.160-A2	M16	17.0	50	3.0	A2 s/s
P0337.180-A2	M18	20.0	56	4.0	A2 s/s
P0337.200-A2	M20	22.0	60	4.0	A2 s/s
P0337.240-A2	M24	26.0	72	5.0	A2 s/s
P0337.300-A2	M30	33.0	92	6.0	A2 s/s
P0337.360-A2	M36	39.0	110	8.0	A2 s/s