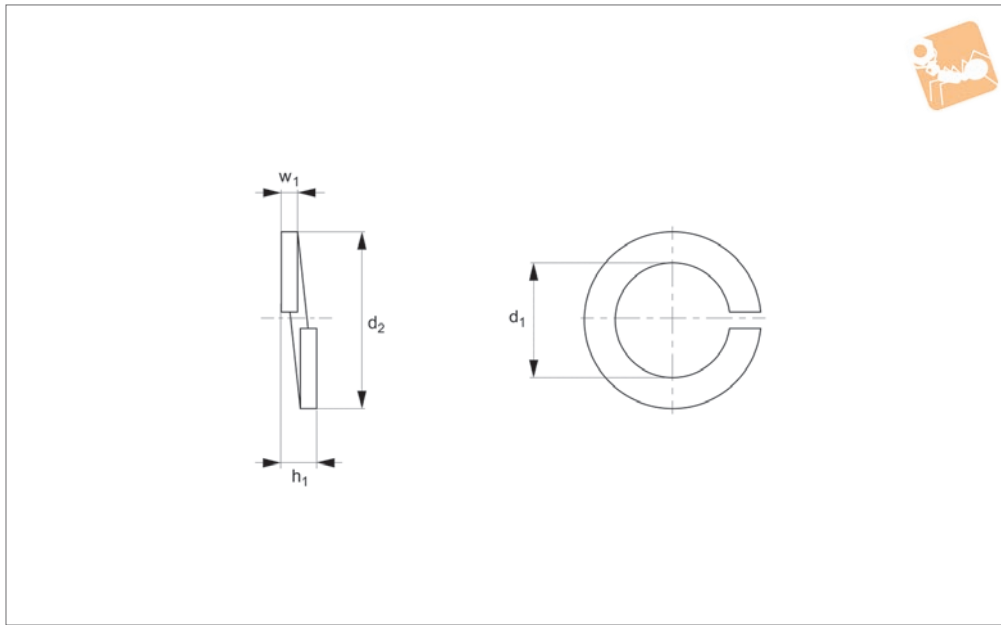




# Spring Washers Rectangular Section

A2 stainless



**P0370.A2**

FLAT WASHERS

### Material

Stainless steel (A2, AISI 303).

### Technical Notes

To DIN 127 B.

Order No.	For thread	d <sub>1</sub>	d <sub>2</sub>	h <sub>1</sub> min.	w <sub>1</sub>	Material
P0370.020-A2	M 2	2.1	4.4	1.0	0.5	A2 s/s
P0370.025-A2	M2,5	2.6	5.1	1.2	0.6	A2 s/s
P0370.030-A2	M 3	3.1	5.2	1.6	0.8	A2 s/s
P0370.035-A2	M3,5	3.6	6.7	1.6	0.8	A2 s/s
P0370.040-A2	M 4	4.1	7.6	1.8	0.9	A2 s/s
P0370.050-A2	M 5	5.1	9.2	2.4	1.2	A2 s/s
P0370.060-A2	M 6	6.1	11.8	3.2	1.6	A2 s/s
P0370.080-A2	M 8	8.1	14.8	4.0	2.0	A2 s/s
P0370.100-A2	M10	10.2	18.1	4.4	2.2	A2 s/s
P0370.120-A2	M12	12.2	21.1	5.0	2.5	A2 s/s
P0370.140-A2	M14	14.2	24.1	6.0	3.0	A2 s/s
P0370.160-A2	M16	16.2	27.4	7.0	3.5	A2 s/s
P0370.180-A2	M18	18.2	29.4	7.0	3.5	A2 s/s
P0370.200-A2	M20	20.2	33.6	8.0	4.0	A2 s/s
P0370.220-A2	M22	22.5	35.9	8.0	4.0	A2 s/s
P0370.240-A2	M24	24.5	40.0	10.0	5.0	A2 s/s
P0370.270-A2	M27	27.5	43.0	10.0	6.0	A2 s/s
P0370.300-A2	M30	30.5	48.2	12.0	6.0	A2 s/s
P0370.360-A2	M36	36.5	58.2	12.0	6.0	A2 s/s
P0370.400-A2	M40	40.5	63.5	14.0	7.0	A2 s/s
P0370.420-A2	M42	42.5	68.2	14.0	7.0	A2 s/s
P0370.480-A2	M48	49.0	75.0	14.0	7.0	A2 s/s