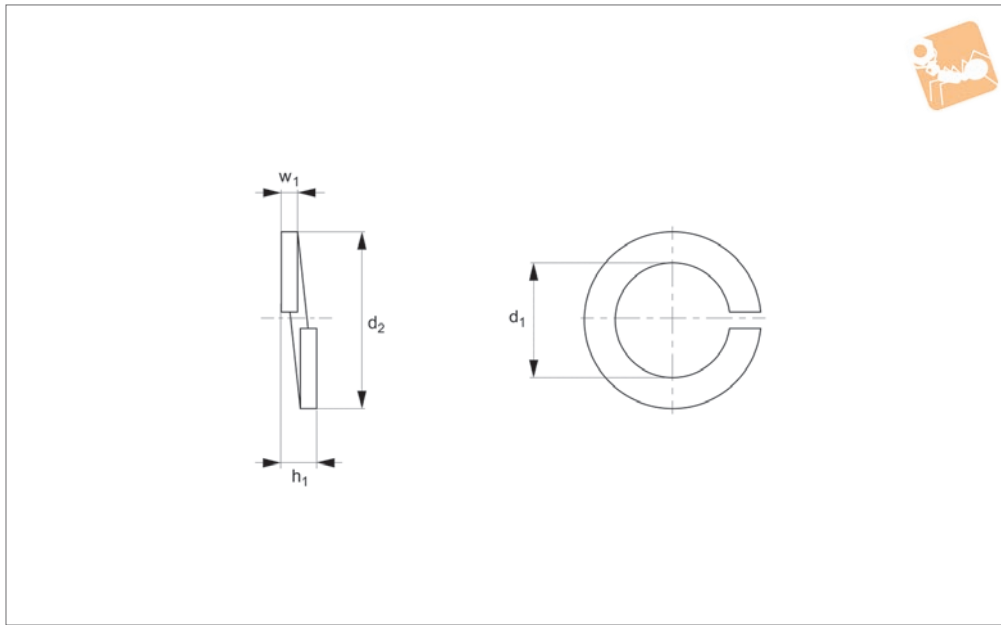




# Spring Washers Rectangular Section

Steel, self-coloured



**P0370.SC**

FLAT WASHERS

**Material**  
Spring steel, self-colour.

**Technical Notes**  
To DIN 127 B.

Order No.	For thread	d <sub>1</sub>	d <sub>2</sub>	h <sub>1</sub> min.	w <sub>1</sub>	Material
P0370.020-SC	M 2	2.1	4.4	1.0	0.5	Steel SC
P0370.025-SC	M2,5	2.6	5.1	1.2	0.6	Steel SC
P0370.030-SC	M 3	3.1	5.2	1.6	0.8	Steel SC
P0370.035-SC	M3,5	3.6	6.7	1.6	0.8	Steel SC
P0370.040-SC	M 4	4.1	7.6	1.8	0.9	Steel SC
P0370.050-SC	M 5	5.1	9.2	2.4	1.2	Steel SC
P0370.060-SC	M 6	6.1	11.8	3.2	1.6	Steel SC
P0370.080-SC	M 8	8.1	14.8	4.0	2.0	Steel SC
P0370.100-SC	M10	10.2	18.1	4.4	2.2	Steel SC
P0370.120-SC	M12	12.2	21.1	5.0	2.5	Steel SC
P0370.140-SC	M14	14.2	24.1	6.0	3.0	Steel SC
P0370.160-SC	M16	16.2	27.4	7.0	3.5	Steel SC
P0370.180-SC	M18	18.2	29.4	7.0	3.5	Steel SC
P0370.200-SC	M20	20.2	33.6	8.0	4.0	Steel SC
P0370.220-SC	M22	22.5	35.9	8.0	4.0	Steel SC
P0370.240-SC	M24	24.5	40.0	10.0	5.0	Steel SC
P0370.270-SC	M27	27.5	43.0	10.0	6.0	Steel SC
P0370.300-SC	M30	30.5	48.2	12.0	6.0	Steel SC
P0370.360-SC	M36	36.5	58.2	12.0	6.0	Steel SC
P0370.400-SC	M40	40.5	63.5	14.0	7.0	Steel SC
P0370.420-SC	M42	42.5	68.2	14.0	7.0	Steel SC
P0370.480-SC	M48	49.0	75.0	14.0	7.0	Steel SC