

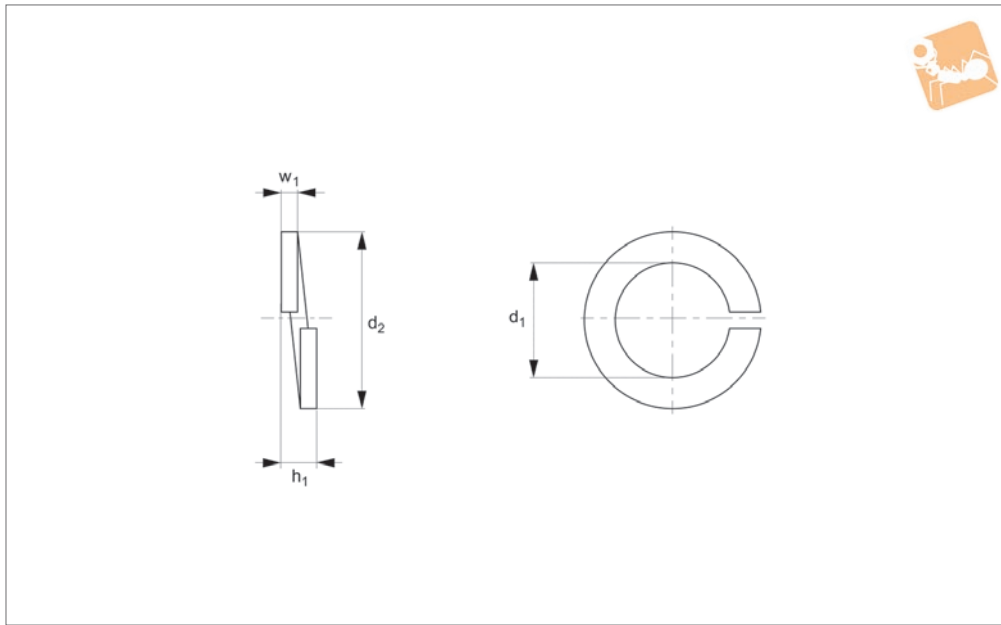


Spring Washers Rectangular Section

Steel, zinc-plated



Flat Washers



P0370.ZP

FLAT WASHERS

Material

Spring steel, zinc-plated.

Technical Notes

To DIN 127 B.

Order No.	For thread	d ₁	d ₂	h ₁ min.	w ₁	Material
P0370.020-ZP	M 2	2.1	4.4	1.0	0.5	Steel ZP
P0370.025-ZP	M2,5	2.6	5.1	1.2	0.6	Steel ZP
P0370.030-ZP	M 3	3.1	5.2	1.6	0.8	Steel ZP
P0370.035-ZP	M3,5	3.6	6.7	1.6	0.8	Steel ZP
P0370.040-ZP	M 4	4.1	7.6	1.8	0.9	Steel ZP
P0370.050-ZP	M 5	5.1	9.2	2.4	1.2	Steel ZP
P0370.060-ZP	M 6	6.1	11.8	3.2	1.6	Steel ZP
P0370.080-ZP	M 8	8.1	14.8	4.0	2.0	Steel ZP
P0370.100-ZP	M10	10.2	18.1	4.4	2.2	Steel ZP
P0370.120-ZP	M12	12.2	21.1	5.0	2.5	Steel ZP
P0370.140-ZP	M14	14.2	24.1	6.0	3.0	Steel ZP
P0370.160-ZP	M16	16.2	27.4	7.0	3.5	Steel ZP
P0370.180-ZP	M18	18.2	29.4	7.0	3.5	Steel ZP
P0370.200-ZP	M20	20.2	33.6	8.0	4.0	Steel ZP
P0370.220-ZP	M22	22.5	35.9	8.0	4.0	Steel ZP
P0370.240-ZP	M24	24.5	40.0	10.0	5.0	Steel ZP
P0370.270-ZP	M27	27.5	43.0	10.0	6.0	Steel ZP
P0370.300-ZP	M30	30.5	48.2	12.0	6.0	Steel ZP
P0370.360-ZP	M36	36.5	58.2	12.0	6.0	Steel ZP