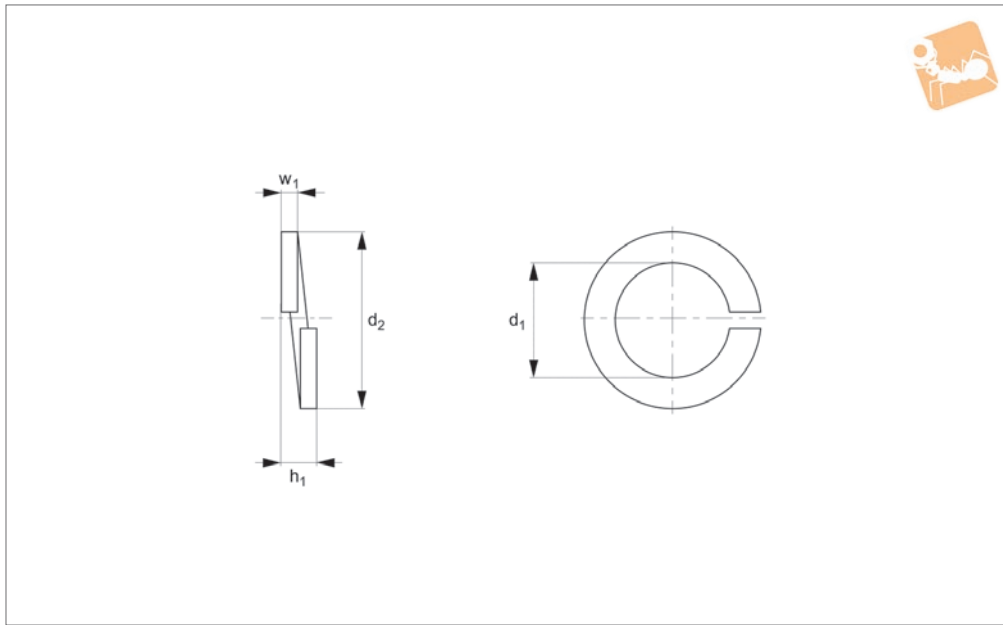




Spring Washers Square Section

A2 stainless



P0371.A2

FLAT WASHERS

Material

Stainless steel (A2, AISI 303).

Technical Notes

To DIN 7980. For screws with cylindrical heads.

Order No.	Thread	d ₁	d ₂	h ₁ min.	w ₁	Material
P0371.030-A2	M 3	3.1	5.6	2.0	1.0	A2 s/s
P0371.035-A2	M3,5	3.6	6.1	2.0	1.0	A2 s/s
P0371.040-A2	M 4	4.1	7.0	2.4	1.2	A2 s/s
P0371.050-A2	M 5	5.1	8.8	3.2	1.6	A2 s/s
P0371.060-A2	M 6	6.1	9.9	3.2	1.6	A2 s/s
P0371.080-A2	M 8	8.1	12.7	4.0	2.0	A2 s/s
P0371.100-A2	M10	10.2	16.0	5.0	2.5	A2 s/s
P0371.120-A2	M12	12.2	18.0	5.0	2.5	A2 s/s
P0371.140-A2	M14	14.2	21.1	6.0	3.0	A2 s/s
P0371.160-A2	M16	24.4	24.4	7.0	3.5	A2 s/s
P0371.180-A2	M18	18.2	26.4	7.0	3.5	A2 s/s
P0371.200-A2	M20	20.2	30.6	9.0	4.5	A2 s/s
P0371.220-A2	M22	22.5	32.9	9.0	4.5	A2 s/s
P0371.240-A2	M24	24.4	35.9	10.0	5.0	A2 s/s
P0371.270-A2	M27	27.5	38.9	10.0	5.0	A2 s/s
P0371.300-A2	M30	30.5	44.1	12.0	6.0	A2 s/s