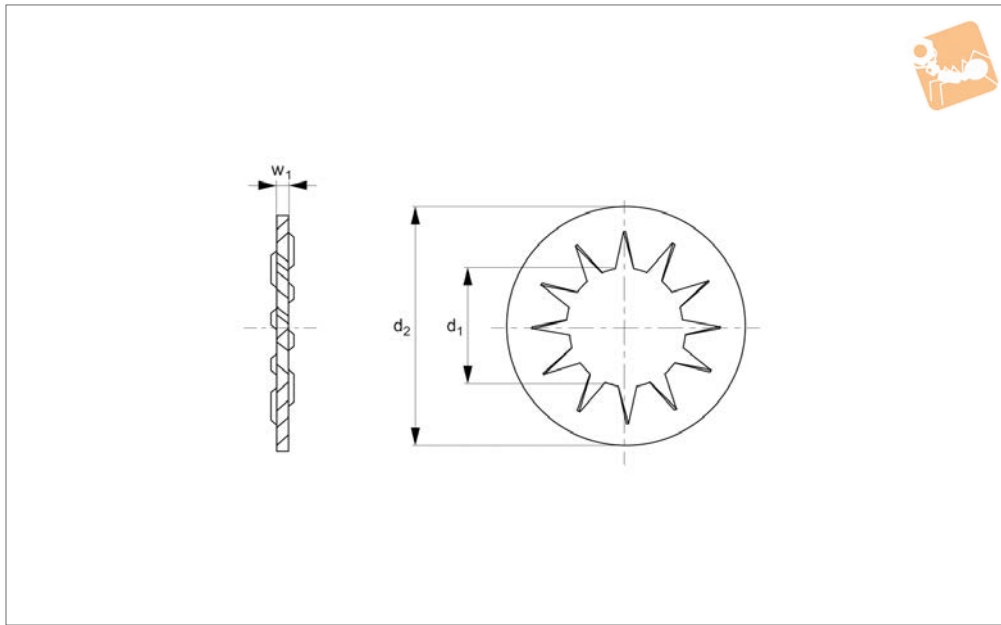




# Internal Serrated Lock Washers

Steel, self-coloured



**P0373.SC**

FLAT WASHERS

**Material**  
Spring steel, self-colour.

**Technical Notes**  
To DIN 6798 B.

Order No.	d <sub>1</sub> for thread	d <sub>2</sub>	w <sub>1</sub>	Material
P0373.020-SC	M 2	4.5	0.3	Steel SC
P0373.025-SC	M2,5	5.5	0.4	Steel SC
P0373.030-SC	M 3	6.0	0.4	Steel SC
P0373.035-SC	M3,5	7.0	0.5	Steel SC
P0373.040-SC	M 4	8.0	0.5	Steel SC
P0373.050-SC	M 5	10.0	0.6	Steel SC
P0373.060-SC	M 6	11.0	0.7	Steel SC
P0373.070-SC	M 7	12.5	0.8	Steel SC
P0373.080-SC	M 8	15.0	0.8	Steel SC
P0373.100-SC	M10	18.0	0.9	Steel SC
P0373.120-SC	M12	20.5	1.0	Steel SC
P0373.140-SC	M14	24.0	1.0	Steel SC
P0373.160-SC	M16	26.0	1.2	Steel SC
P0373.180-SC	M18	30.0	1.4	Steel SC
P0373.200-SC	M20	33.0	1.4	Steel SC
P0373.220-SC	M22	36.0	1.5	Steel SC
P0373.240-SC	M24	38.0	1.5	Steel SC
P0373.270-SC	M27	44.0	1.6	Steel SC
P0373.300-SC	M30	48.0	1.6	Steel SC