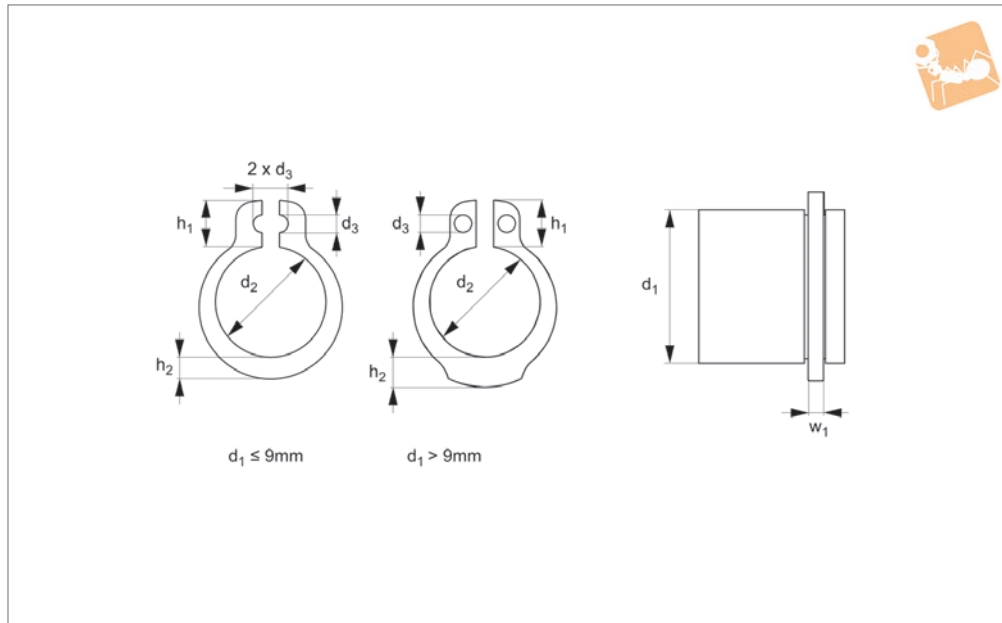
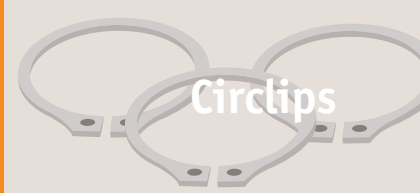




# External PH Circlips

Steel phosphated



**P0380.PH**

CIRCLIPS

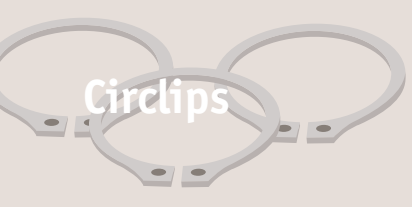
### Material

Steel, phosphated.

### Technical Notes

To DIN 471.

Order No.	$d_1$	$d_2$	$d_3$ min.	$h_1$ max.	$h_2$	$w_1$	Material
P0380.003-PH	3	2.7	1.0	1.9	0.8	0.40	Steel PH
P0380.004-PH	4	3.7	1.0	2.2	0.9	0.40	Steel PH
P0380.005-PH	5	3.7	1.0	2.5	1.1	0.60	Steel PH
P0380.006-PH	6	5.6	1.2	2.7	1.3	0.70	Steel PH
P0380.007-PH	7	6.5	1.2	3.1	1.4	0.80	Steel PH
P0380.008-PH	8	7.4	1.2	3.2	1.5	0.80	Steel PH
P0380.009-PH	9	8.4	1.2	3.3	1.7	1.00	Steel PH
P0380.010-PH	10	9.3	1.5	3.3	1.8	1.00	Steel PH
P0380.011-PH	11	10.2	1.5	3.3	1.8	1.00	Steel PH
P0380.012-PH	12	11.0	1.7	3.3	1.8	1.00	Steel PH
P0380.013-PH	13	11.9	1.7	3.4	2.0	1.00	Steel PH
P0380.014-PH	14	12.9	1.7	3.5	2.1	1.00	Steel PH
P0380.015-PH	15	13.8	1.7	3.6	0.8	1.00	Steel PH
P0380.016-PH	16	14.7	1.7	3.7	2.2	1.00	Steel PH
P0380.017-PH	17	15.7	1.7	3.8	2.3	1.00	Steel PH
P0380.018-PH	18	16.5	2.0	3.9	2.4	1.20	Steel PH
P0380.019-PH	19	17.5	2.0	3.9	2.5	1.20	Steel PH
P0380.020-PH	20	18.5	2.0	4.0	2.6	1.20	Steel PH
P0380.022-PH	22	20.5	2.0	4.2	2.8	1.20	Steel PH
P0380.023-PH	23	21.4	2.0	4.3	2.9	1.20	Steel PH
P0380.024-PH	24	22.2	2.0	4.4	3.0	1.20	Steel PH
P0380.025-PH	25	23.2	2.0	4.4	3.0	1.20	Steel PH
P0380.026-PH	26	24.2	2.0	4.5	3.1	1.20	Steel PH
P0380.027-PH	27	25.1	2.0	4.6	3.1	1.20	Steel PH
P0380.028-PH	28	25.9	2.0	4.7	3.2	1.50	Steel PH
P0380.029-PH	29	26.9	2.0	4.8	3.4	1.50	Steel PH
P0380.030-PH	30	27.9	2.0	5.0	3.5	1.50	Steel PH
P0380.032-PH	32	29.6	2.5	5.2	3.6	1.50	Steel PH
P0380.034-PH	34	31.5	2.5	5.4	3.8	1.50	Steel PH
P0380.035-PH	35	32.2	2.5	5.6	3.9	1.50	Steel PH
P0380.036-PH	36	33.2	2.5	5.6	4.0	1.75	Steel PH
P0380.038-PH	38	35.2	2.5	5.8	4.2	1.75	Steel PH
P0380.039-PH	39	36.0	2.5	5.9	4.3	1.75	Steel PH
P0380.040-PH	40	36.0	2.5	6.0	4.4	1.75	Steel PH



# Circlips

## External PH Circlips Steel phosphated



CIRCLIPS

Order No.	d <sub>1</sub>	d <sub>2</sub>	d <sub>3</sub> min.	h <sub>1</sub> max.	h <sub>2</sub>	w <sub>1</sub>	Material
P0380.042-PH	42	36.5	2.5	6.5	4.5	1.75	Steel PH
P0380.045-PH	45	41.5	2.5	6.7	4.7	1.75	Steel PH
P0380.048-PH	48	44.5	2.5	6.9	5.0	1.75	Steel PH
P0380.050-PH	50	45.8	2.5	6.9	5.1	2.00	Steel PH
P0380.052-PH	52	47.8	2.5	7.0	5.2	2.00	Steel PH
P0380.055-PH	55	50.8	2.5	7.2	5.4	2.00	Steel PH
P0380.060-PH	60	55.8	2.5	7.4	5.8	2.00	Steel PH
P0380.065-PH	65	60.8	3.0	7.8	6.3	2.50	Steel PH
P0380.070-PH	70	65.5	3.0	8.1	6.6	2.50	Steel PH
P0380.075-PH	75	70.5	3.0	8.4	7.0	2.50	Steel PH
P0380.080-PH	80	74.5	3.0	8.6	7.4	2.50	Steel PH
P0380.085-PH	85	79.5	3.5	8.7	7.8	3.00	Steel PH
P0380.090-PH	90	84.5	3.5	8.8	8.2	3.00	Steel PH
P0380.095-PH	95	89.5	3.5	9.4	8.6	3.00	Steel PH
P0380.100-PH	100	94.5	3.5	9.6	9.0	3.00	Steel PH
P0380.105-PH	105	98.0	3.5	9.9	9.3	4.00	Steel PH
P0380.110-PH	110	103.0	3.5	10.1	9.6	4.00	Steel PH
P0380.120-PH	120	113.0	3.5	11.0	10.2	4.00	Steel PH
P0380.130-PH	130	123.0	4.0	11.6	10.7	4.00	Steel PH
P0380.140-PH	140	133.0	4.0	12.0	11.2	4.00	Steel PH