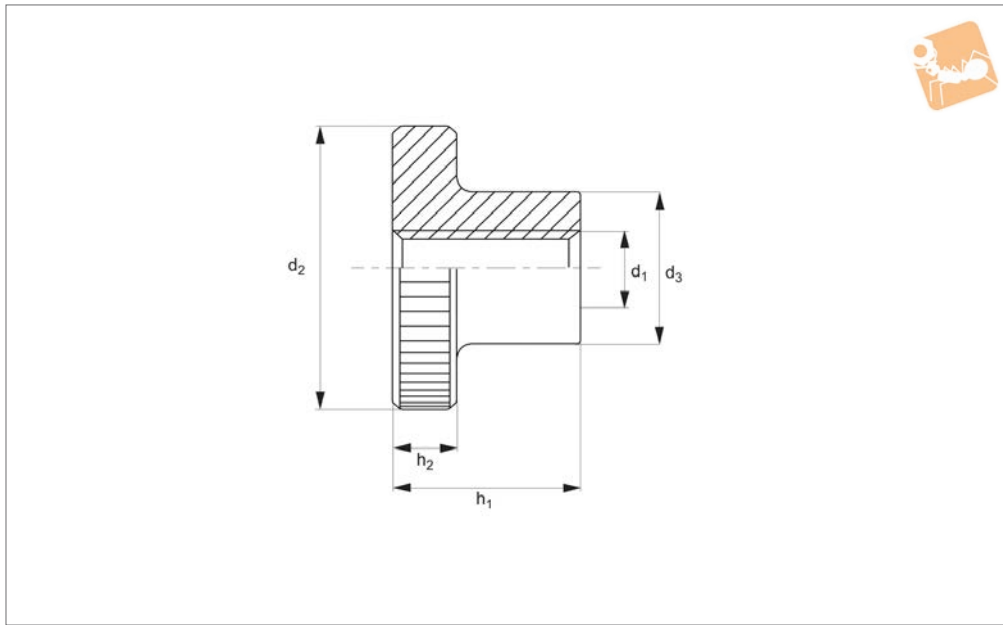




# Knurled Thumb Nuts

With collar - A2 stainless



**P0403.A2**

THUMB SCREWS

**Material**

Stainless steel (A2, AISI 303).

**Technical Notes**

To DIN 466, size M12 not contained in DIN standard.

Order No.	d <sub>1</sub>	d <sub>2</sub>	d <sub>3</sub>	h <sub>1</sub>	h <sub>2</sub>	Material	Weight g
P0403.020-A2	M 2	9	4.5	5.3	2	A2 s/s	3
P0403.025-A2	M2,5	11	5	6.5	2.5	A2 s/s	4
P0403.030-A2	M 3	12	6	7.5	2.5	A2 s/s	5
P0403.040-A2	M 4	16	8	9.5	3.5	A2 s/s	7
P0403.050-A2	M 5	20	10	11.5	4	A2 s/s	13
P0403.060-A2	M 6	24	12	15	5	A2 s/s	24
P0403.080-A2	M 8	30	16	18	6	A2 s/s	46
P0403.100-A2	M10	36	20	23	8	A2 s/s	62