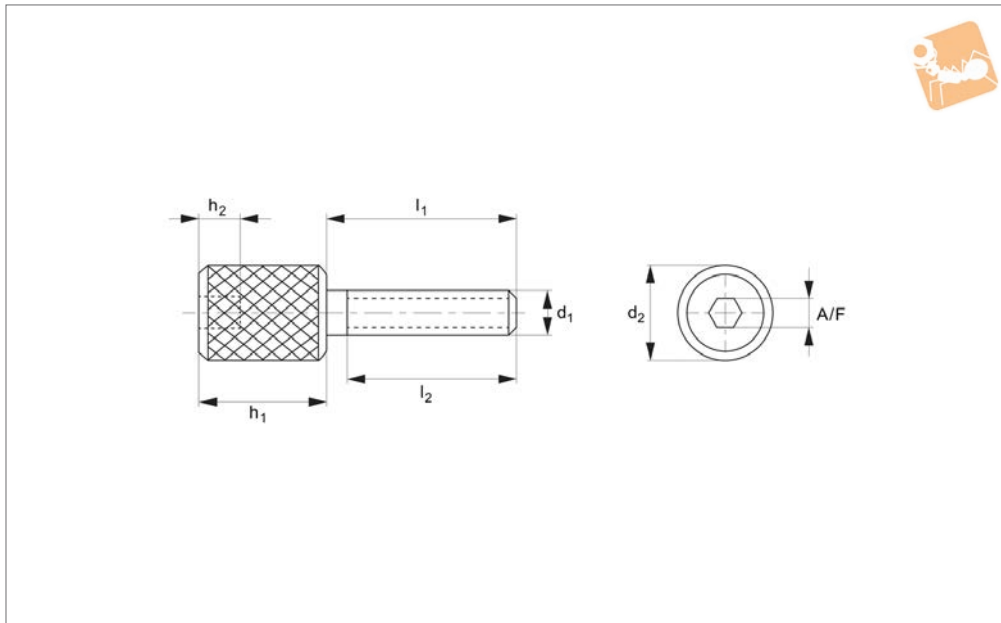




Thin Head Thumb Screws

303 series stainless

Thumb Screws



P0435.A2

THUMB SCREWS

Material

Stainless steel (AISI 303, 1.4305).
Tensile strength 550 N/mm².
Proof stress min. 190 N/mm², austenitic

stainless steel.

Technical Notes

Stainless steel 303 series is a hard stain-

less steel which may (in harsh conditions) exhibit slight signs of rusting. Typically used in food and pharmaceutical applications.

Order No.	d ₁	l ₁	d ₂	l ₂	h ₁	h ₂ min.	A/F
P0435.03-06-12-A2	M 3	12	6	11	12	2	2
P0435.03-06-20-A2	M 3	20	6	16	12	2	2
P0435.03-08-12-A2	M 3	12	8	11	12	2	2
P0435.03-08-20-A2	M 3	20	8	16	12	2	2
P0435.03-10-10-A2	M 3	10	10	8	12	3	3
P0435.03-10-12-A2	M 3	12	10	11	12	3	3
P0435.04-06-12-A2	M 4	12	6	11	12	2	2
P0435.04-06-20-A2	M 4	20	6	16	12	2	2
P0435.04-06-25-A2	M 4	25	6	20	12	2	2
P0435.04-08-12-A2	M 4	12	8	11	12	2	2
P0435.04-08-20-A2	M 4	20	8	16	12	2	2
P0435.04-08-25-A2	M 4	25	8	20	12	2	2
P0435.04-10-10-A2	M 4	10	10	8	12	3	3
P0435.04-10-14-A2	M 4	14	10	12	12	3	3
P0435.04-10-20-A2	M 4	20	10	16	12	3	3
P0435.05-08-12-A2	M 5	12	8	11	12	2	2
P0435.05-08-20-A2	M 5	20	8	16	12	2	2
P0435.05-08-25-A2	M 5	25	8	20	12	2	2
P0435.05-08-32-A2	M 5	32	8	25	12	2	2
P0435.05-10-12-A2	M 5	12	10	11	12	3	3
P0435.05-10-20-A2	M 5	20	10	16	12	3	3
P0435.05-10-25-A2	M 5	25	10	20	12	3	3
P0435.05-10-32-A2	M 5	32	10	25	12	3	3
P0435.06-10-12-A2	M 6	12	10	11	12	3	3
P0435.06-10-20-A2	M 6	20	10	16	12	3	3
P0435.06-10-25-A2	M 6	25	10	20	12	3	3
P0435.06-10-30-A2	M 6	30	10	25	12	3	3
P0435.06-10-35-A2	M 6	35	10	30	12	3	3
P0435.08-12-12-A2	M 8	12	12	11	15	3	3
P0435.08-12-20-A2	M 8	20	12	16	15	3	3
P0435.08-12-25-A2	M 8	25	12	20	15	3	3
P0435.08-12-30-A2	M 8	30	12	25	15	3	3
P0435.08-12-35-A2	M 8	35	12	30	15	3	3
P0435.08-15-12-A2	M 8	12	15	11	15	3	3



Order No.	d ₁	l ₁	d ₂	l ₂	h ₁	h ₂ min.	A/F
P0435.08-15-20-A2	M 8	20	15	16	15	3	3
P0435.08-15-25-A2	M 8	25	15	20	15	3	3
P0435.08-15-30-A2	M 8	30	15	25	15	3	3
P0435.08-15-35-A2	M 8	35	15	30	15	3	3
P0435.10-15-12-A2	M10	12	15	11	20	3	3
P0435.10-15-20-A2	M10	20	15	16	20	3	3
P0435.10-15-25-A2	M10	25	15	20	20	3	3
P0435.10-15-30-A2	M10	30	15	25	20	3	3
P0435.10-15-35-A2	M10	35	15	30	20	3	3
P0435.10-20-12-A2	M10	12	20	11	20	3	3
P0435.10-20-20-A2	M10	20	20	16	20	3	3
P0435.10-20-25-A2	M10	25	20	20	20	3	3
P0435.10-20-30-A2	M10	30	20	25	20	3	3
P0435.10-20-35-A2	M10	35	20	30	20	3	3