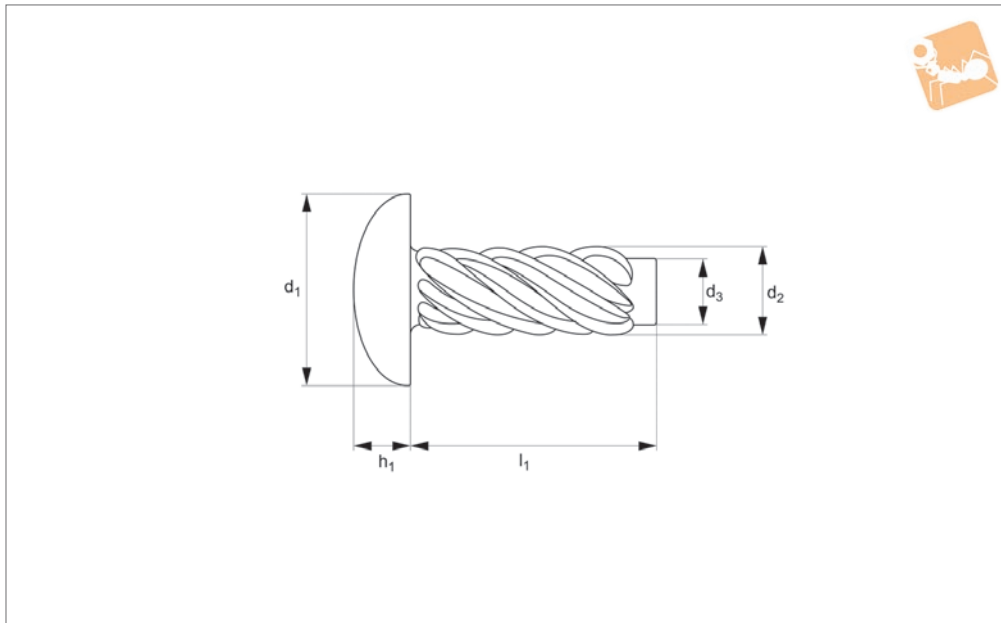




# Hammer Drive Pins

steel



**P1245**

OTHER PINS

### Material

Steel (nickel-plated or self-colour).

Order No.	d <sub>1</sub>	d <sub>2</sub>	d <sub>3</sub>	l <sub>1</sub>	h <sub>1</sub>	Recc. hole
P1245.014-005-SC	2.60	1.63	1.40	5.0	0.90	1.40
P1245.014-060-SC	2.60	1.63	1.40	6.0	0.90	1.40
P1245.014-800-SC	2.60	1.63	1.40	8.0	0.90	1.40
P1245.016-050-SC	3.00	1.83	1.60	5.0	1.10	1.60
P1245.016-060-SC	3.00	1.83	1.60	6.0	1.10	1.60
P1245.016-080-SC	3.00	1.83	1.60	8.0	1.10	1.60
P1245.020-060-SC	3.70	2.30	2.00	6.0	1.30	2.00
P1245.020-080-SC	3.70	2.30	2.00	8.0	1.30	2.00
P1245.020-100-SC	3.70	2.30	2.00	10.0	1.30	2.00
P1245.025-060-SC	4.60	2.80	2.50	6.0	1.60	2.55
P1245.025-080-SC	4.60	2.80	2.50	8.0	1.60	2.55
P1245.025-100-SC	4.60	2.80	2.50	10.0	1.60	2.55
P1245.030-080-SC	5.45	3.35	3.00	8.0	1.95	3.00
P1245.030-100-SC	5.45	3.35	3.00	10.0	1.95	3.00
P1245.030-120-SC	5.45	3.35	3.00	12.0	1.95	3.00
P1245.040-100-SC	7.25	4.35	4.00	10.0	2.55	4.00
P1245.040-120-SC	7.25	4.35	4.00	12.0	2.55	4.00
P1245.040-160-SC	7.25	4.35	4.00	16.0	2.55	4.00
P1245.050-120-SC	9.10	5.35	5.00	12.0	3.15	5.00
P1245.050-160-SC	9.10	5.35	5.00	16.0	3.15	5.00
P1245.050-200-SC	9.10	5.35	5.00	20.0	3.15	5.00
P1245.060-160-SC	10.80	6.35	6.00	16.0	3.75	6.00
P1245.060-200-SC	10.80	6.35	6.00	20.0	3.75	6.00
P1245.035-095-NP	6.60	3.50	2.94	9.5	2.61	3.05
P1245.035-065-NP	6.60	3.50	2.94	6.4	2.61	3.05