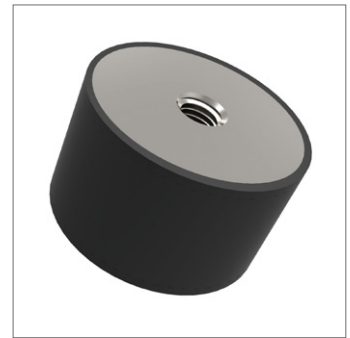
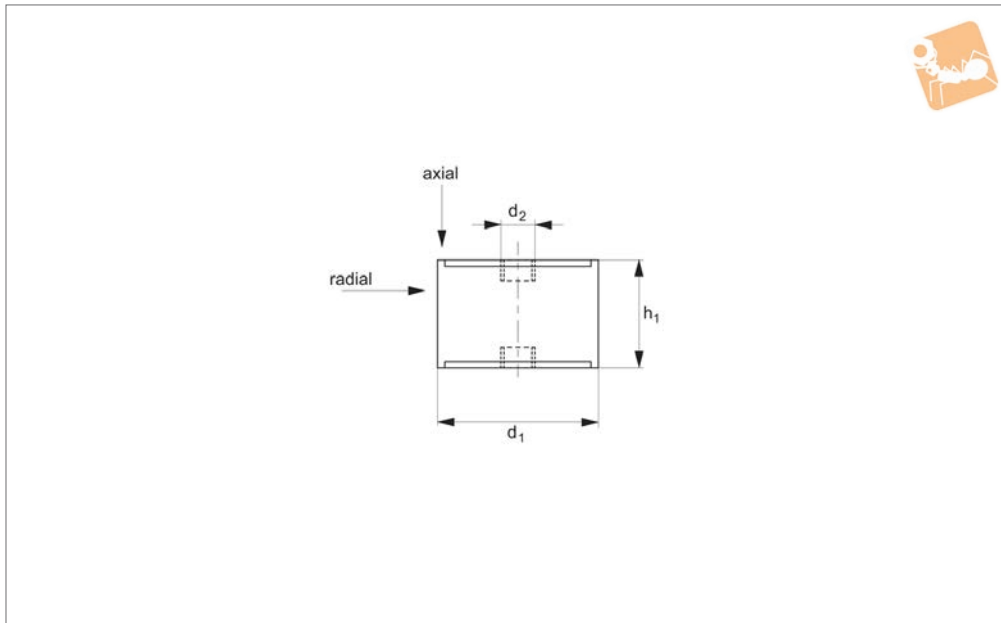
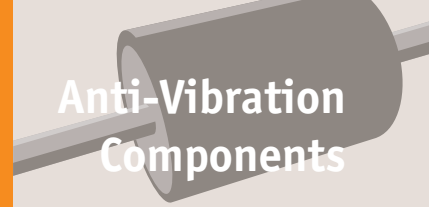




# Anti-vibration Cylinders

female:female

# Anti-Vibration Components



**P2008**

ANTI-VIBRATION COMPONENTS

**Material**

Rubber on silver zinc plated steel (rubber hardness - 55 Shore A).

**Tips**

These cylinders are used to reduce vibra-

tion by allowing some movement (in axial and radial as shown).

Typically used in machinery, compressors, air conditioning units, light engineering equipment etc.

Order No.	Compression max.	d <sub>1</sub>	h <sub>1</sub>	d <sub>2</sub>	Axial load kgf max.	Radial load N max.
P2008.015-015	3.0	15	15	M 4	13	3
P2008.015-020	4.0	15	20	M 4	10	3
P2008.015-022	4.5	15	22	M 4	10	2.5
P2008.015-025	5.0	15	25	M 4	9	2
P2008.015-028	5.5	15	28	M 4	9	2
P2008.020-020	4.0	20	20	M 6	25	4
P2008.020-025	5.0	20	25	M 6	25	5
P2008.020-030	7.0	20	30	M 6	25	3
P2008.020-035	8.0	20	35	M 6	16	2
P2008.025-020	4.0	25	20	M 6	50	8
P2008.025-025	5.0	25	25	M 6	40	8
P2008.025-030	6.0	25	30	M 6	30	8
P2008.025-035	8.0	25	35	M 6	35	9
P2008.030-020	4.0	30	20	M 8	90	11
P2008.030-025	5.0	30	25	M 8	85	10
P2008.030-030	6.0	30	30	M 8	80	10
P2008.035-040	8.5	35	40	M 8	60	13
P2008.040-030	8.0	40	30	M 8	150	18
P2008.040-040	10.0	40	40	M 8	120	18
P2008.040-050	12.5	40	50	M 8	80	18
P2008.050-030	8.0	50	30	M10	250	29
P2008.050-040	10.0	50	40	M10	220	29
P2008.050-050	12.0	50	50	M10	200	28
P2008.060-035	7.0	60	35	M10	350	39
P2008.060-045	10.0	60	45	M10	300	42
P2008.060-050	11.0	60	50	M10	285	42
P2008.075-040	9.0	75	40	M12	500	72
P2008.070-050	10.0	70	50	M10	350	52
P2008.070-055	10.5	70	55	M10	230	52
P2008.075-050	11.5	75	50	M12	330	65
P2008.075-055	13.0	75	55	M12	450	65



Order No.	Compression max.	d <sub>1</sub>	h <sub>1</sub>	d <sub>2</sub>	Axial load kgf max.	Radial load N max.
P2008.080-070	15.0	80	70	M14	550	65
P2008.100-040	8.0	100	40	M16	1200	95
P2008.100-055	16.0	100	55	M16	775	97
P2008.100-060	15.0	100	60	M16	1100	97
P2008.100-100	16.0	100	100	M16	500	80
P2008.130-040	6.0	130	40	M16	1900	120
P2008.130-060	11.0	130	60	M16	680	100



# General Anti-vibration Cylinders

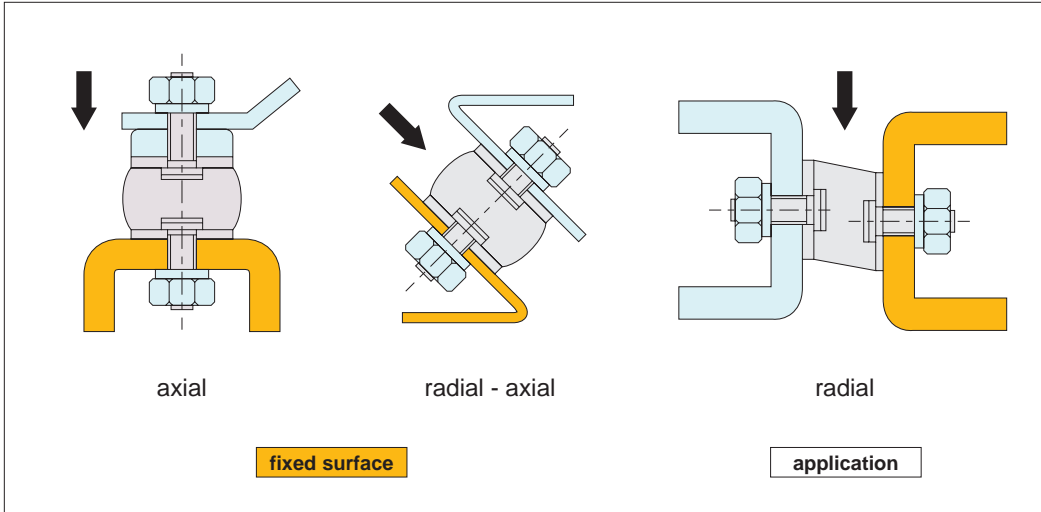
installation methods for cylinders

61040 - 61242

Materials Handling

## Acceptable loads

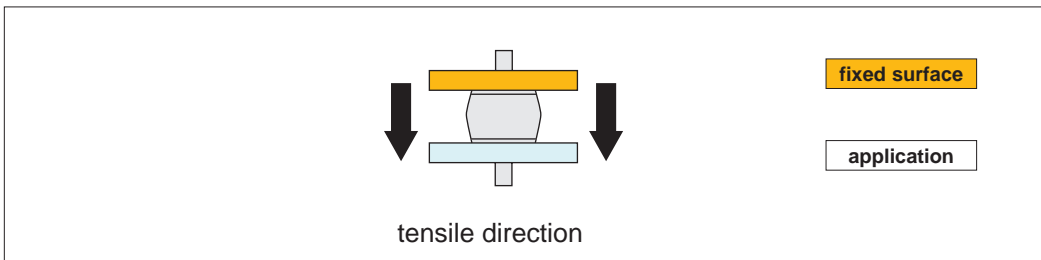
Cylindrical mounts are never to be used in tension, they should only be used in axial or radial. Radial loads are however considerably less than axial loads. Parts with small diameters ( $d_1$ ) and relatively long lengths ( $h$ ) cannot accept radial loads.



ANTI-VIBRATION COMPONENTS

## Installation

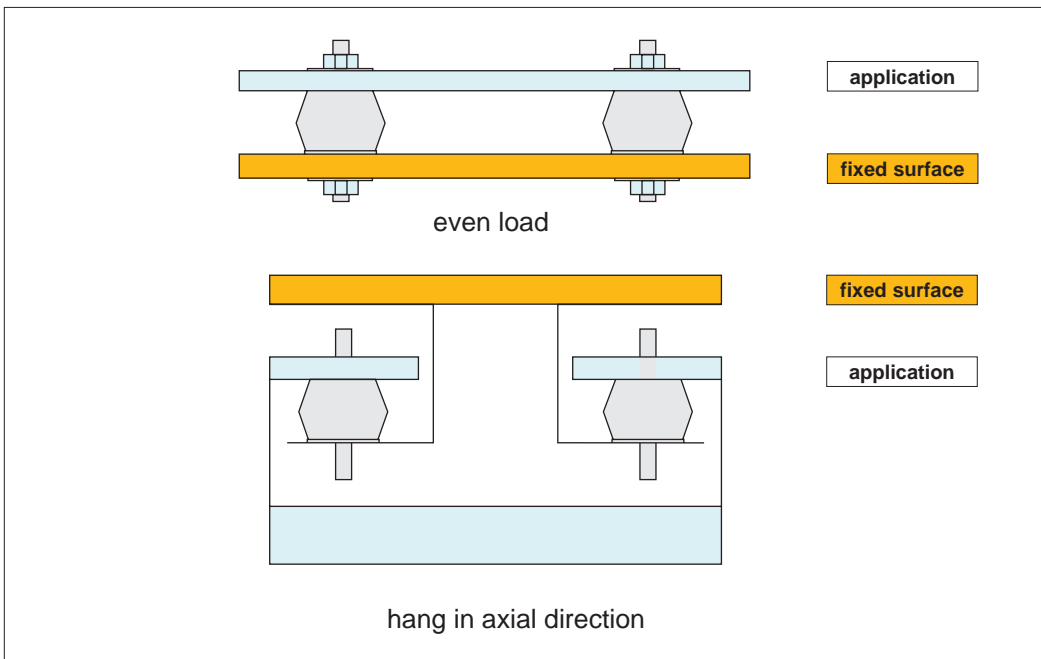
### Incorrect installation



### Correct installation

The height of the insulator may vary as the rubber is compressed under load.

Do not remove the rubber burr around the edge of the metal, this could cause detachment of rubber from the metal studs.



ov-W61040-AP2004-T-W61242-AP2025-T-rmh-Updated-28-10-2022