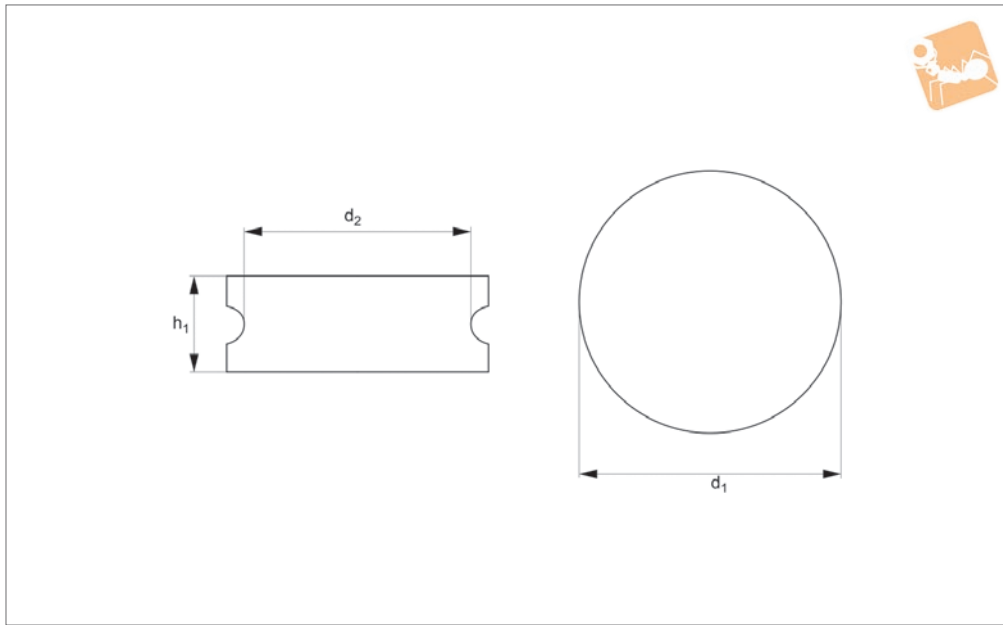




Rubber Pads round

Anti-Vibration Components



P2052

ANTI-VIBRATION COMPONENTS

Material

Rubber (hardness - 65 Shore A).

Order No.	d_1	d_2	h_1	Load kgf max.
P2052.140	140	127	45	900
P2052.150	150	138	45	1000