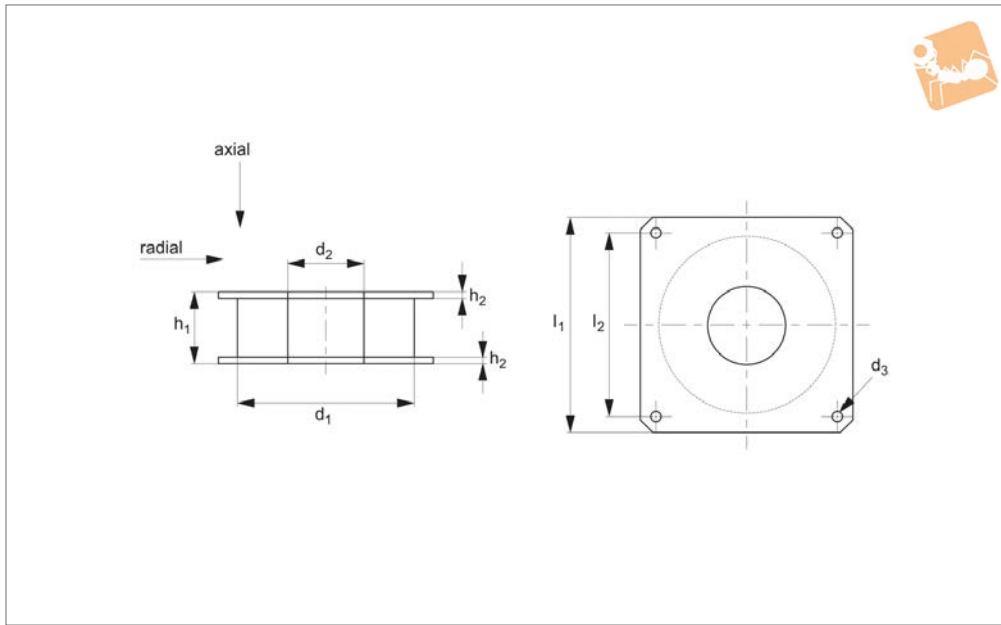




Anti-vibration Pads flanged

Anti-Vibration Components



P2054

ANTI-VIBRATION COMPONENTS

Material

Rubber on silver zinc plated steel (rubber hardness - 65 Shore A).

Order No.	l_1	d_1	d_2	d_3	l_2	h_1	h_2	Axial compression max.	Radial compression max.	Axial load kgf max.	Radial load kgf max.
P2054.135	135	120	50	9	105	42	3	15	10	2500	300
P2054.170	170	140	65	15	145	100	4	15	10	2500	300
P2054.180	180	160	60	9	140	46	4	15	10	2500	300
P2054.210	210	185	70	11	165	55	5	15	10	2500	300
P2054.250	250	230	100	16	215	48	4	15	10	2500	300