

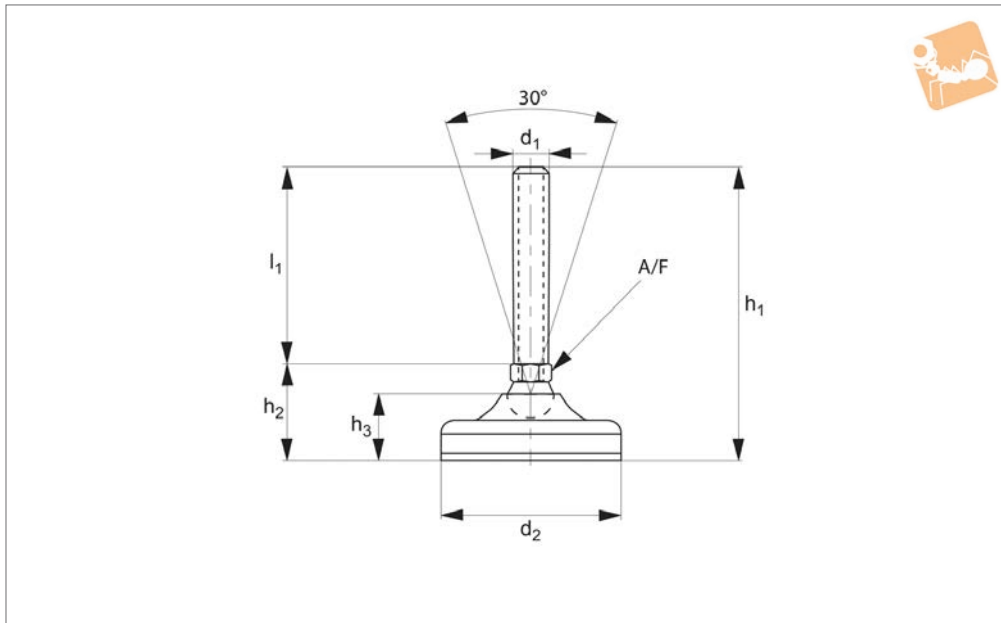


# Levelling Feet

plastic pad, bolt steel



## Levelling Feet



**P2205.1**

LEVELLING FEET

### Material

Pad: polyamide reinforced by fibre glass with anti-slip pad.  
Bolt: galvanized steel (C40)

### Technical Notes

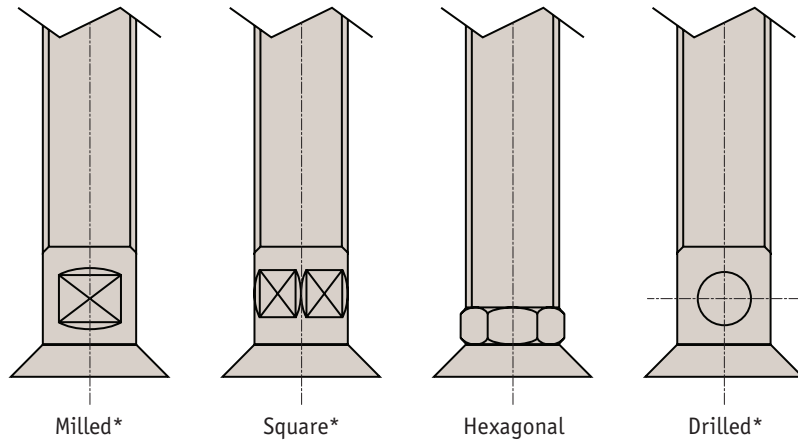
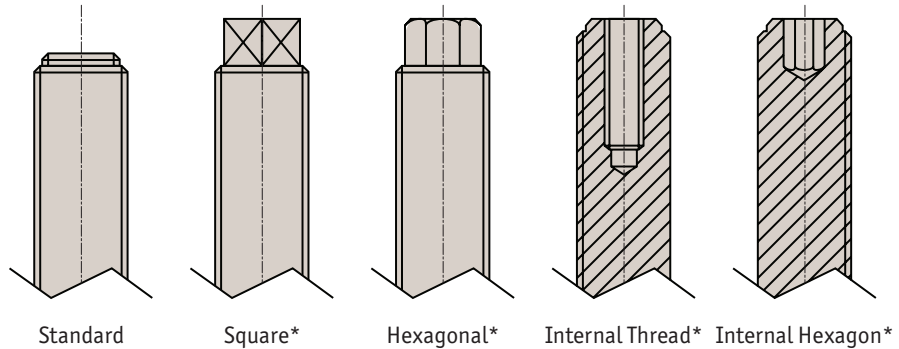
Load values refer to static loads, located at half the screw height.  
When vibrations or dynamic loads are

present these values should be reduced.

Order No.	d <sub>1</sub>	d <sub>2</sub>	h <sub>1</sub>	h <sub>2</sub>	h <sub>3</sub>	l <sub>1</sub>	A/F	Load kN max.
P2205.040-08-025	M 8	40	55	30	19.5	25	12	10
P2205.040-08-050	M 8	40	80	30	19.5	50	12	10
P2205.040-08-075	M 8	40	105	30	19.5	75	12	10
P2205.040-08-100	M 8	40	130	30	19.5	100	12	10
P2205.065-10-050	M10	65	86	36	26.0	50	14	11
P2205.065-10-075	M10	65	111	36	26.0	75	14	11
P2205.065-10-100	M10	65	136	36	26.0	100	14	11
P2205.065-12-050	M12	65	86	36	26.0	50	14	11
P2205.065-12-075	M12	65	111	36	26.0	75	14	11
P2205.065-12-125	M12	65	161	36	26.0	125	14	11
P2205.065-14-050	M14	65	86	36	26.0	50	14	15
P2205.065-14-075	M14	65	111	36	26.0	75	14	15
P2205.065-14-100	M14	65	136	36	26.0	100	14	15
P2205.065-14-125	M14	65	161	36	26.0	125	14	15
P2205.065-14-150	M14	65	186	36	26.0	150	14	15
P2205.065-14-175	M14	65	211	36	26.0	175	14	15
P2205.065-16-050	M16	65	86	36	26.0	50	16	15
P2205.065-16-075	M16	65	111	36	26.0	75	16	15
P2205.065-16-125	M16	65	161	36	26.0	125	16	15
P2205.065-16-150	M16	65	186	36	26.0	150	16@	15
P2205.065-16-175	M16	65	211	36	26.0	175	16@	15
P2205.065-16-200	M16	65	236	36	26.0	200	16@	15
P2205.065-20-075	M20	65	115	40	26.0	75	17	15
P2205.065-20-100	M20	65	140	40	26.0	100	17	15
P2205.065-20-125	M20	65	165	40	26.0	125	17	15
P2205.065-20-150	M20	65	190	40	26.0	150	17	15
P2205.065-20-175	M20	65	215	40	26.0	175	17	15
P2205.065-20-200	M20	65	240	40	26.0	200	17	15



All levelling feet can be produced with the following fixing types:



**Thread versions**

- Metric thread - coarse pitch (standard)
- Metric thread - fine pitch
- Thread gas 55°
- Imperial thread Unc
- Whitworth thread

\* For non-standard threads a minimum order will apply.

Levelling Feet from Automation Components

LEVELLING FEET