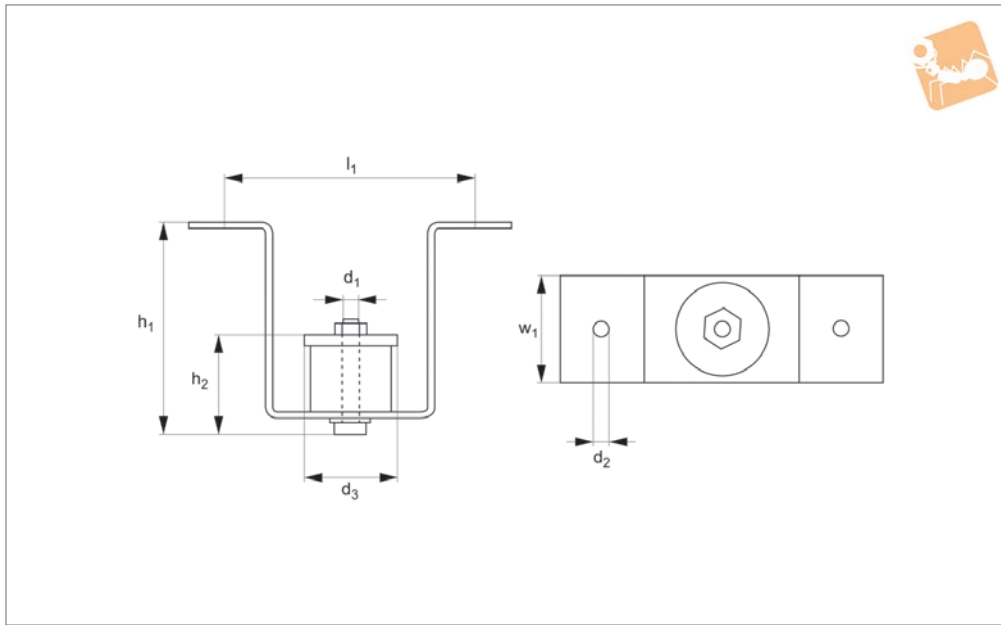




Acoustic Suspension Hanger u-shape

u-shape

Anti-Vibration Components



P2555

ANTI-VIBRATION COMPONENTS

Material

Steel anti-corrosive zinc plated, with rubber (50 shore A) cylinder.

where objects are suspended from ceilings. The spring in the body provides good anti-vibration properties.

load to be carried per unit.

These hanger can be used for fans, distribution pipes, ducts and acoustic ceilings.

Technical Notes

These units are designed for installations

Tips

Select the damper corresponding to the

Order No.	d ₁	w ₁	h ₁	d ₂	d ₃	h ₂	l ₁	Load kgf max.
P2555.060-030	M6	40	50	7	30	30	66	30
P2555.060-060	M6	40	50	7	30	30	66	60
P2555.060-100	M8	55	75	11	40	38	98.5	100
P2555.060-150	M8	55	75	11	40	38	98.5	150