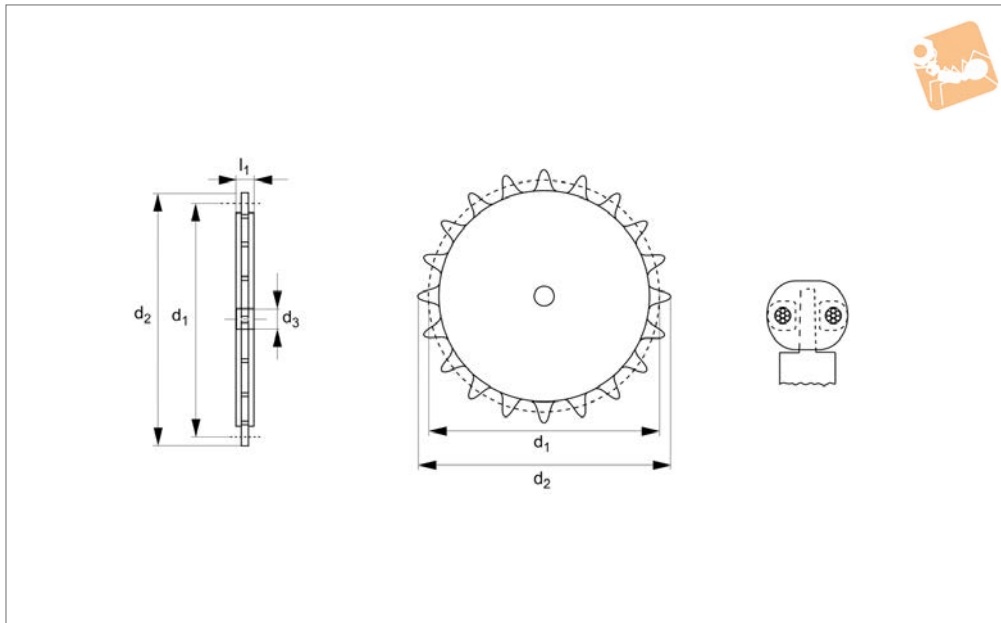




# Chain Sprockets - aluminium, hubless

12,7mm nominal circular pitch

## Chains, Belts & Pulleys



**R1082**

CHAINS, BELTS & PULLEYS

### Material

Aluminium DIN 3,1355 anodized.

recommended for idler use only.

Other no's of teeth are available on request.

### Important Notes

Operate with R1080 series chain.

### Technical Notes

<sup>1</sup> Sprockets with Ø45mm PD and smaller are

Order No.	No. of teeth	Pitch diameter	Outside dia.
R1082.008-HL	8 <sup>1</sup>	32.51	38.86
R1082.009-HL	9 <sup>1</sup>	36.58	42.93
R1082.010-HL	10 <sup>1</sup>	40.64	46.99
R1082.011-HL	11 <sup>1</sup>	44.70	51.05
R1082.012-HL	12	48.77	55.12
R1082.013-HL	13	52.83	59.18
R1082.014-HL	14	56.90	63.25
R1082.015-HL	15	60.96	67.31
R1082.016-HL	16	65.02	71.37
R1082.018-HL	18	73.15	79.50
R1082.020-HL	20	81.28	87.63
R1082.022-HL	22	89.41	95.76
R1082.024-HL	24	97.54	103.89
R1082.025-HL	25	101.60	107.95
R1082.028-HL	28	113.79	120.14
R1082.030-HL	30	121.92	128.27
R1082.032-HL	32	130.05	136.40
R1082.034-HL	34	138.18	144.53
R1082.036-HL	36	146.30	152.65
R1082.038-HL	38	154.43	160.78