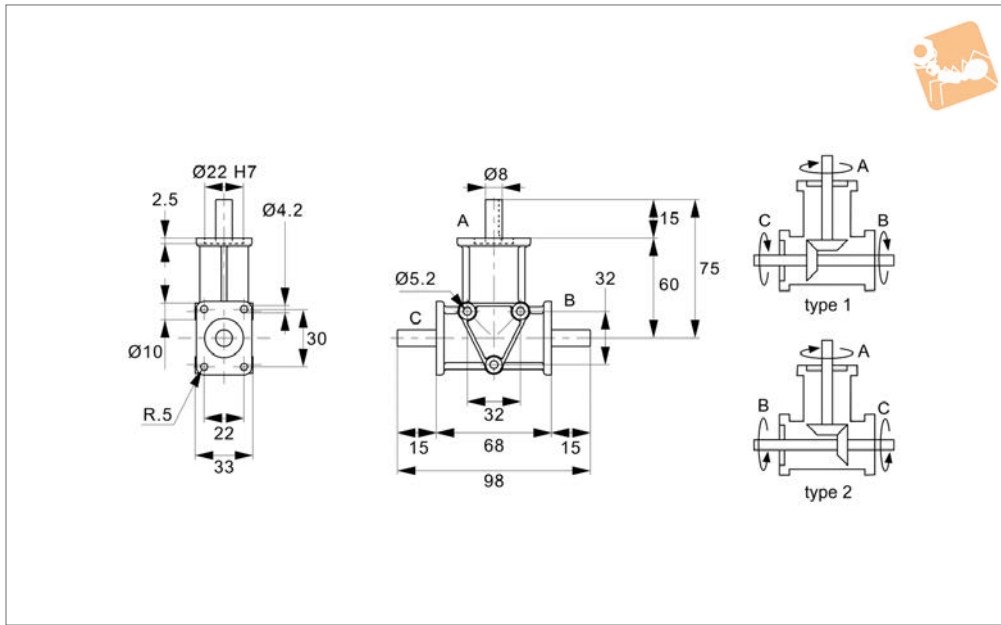




# Right Angle Drives - 3 Shafts

Ø8 shafts

## Right Angle Gear Boxes



**R2302**

RIGHT ANGLE GEAR BOXES

### Material

Lightweight aluminium alloy housing.  
Case-hardened steel gears and shafts.

### Technical Notes

Normally used as speed reducers.  
Shaft A is the input shaft. Optimum perfor-

mance is based on max. 1400 rpm input.  
Provides on average 10,000 hours trouble-free life. Very low operating noise levels.  
May also be used as speed increasers (here the max. shaft input speed for a 1:2 ratio unit is 750 rpm).

Temperature range is -20°C to +80°C.

### Tips

See technical pages for gear box selection guide, based on motor rating, gearing ratio, load type and expected hourly usage hours.

Order No.	Shaft dia. tol. f7	Ratio	Input shaft A kW max.	Output shaft B Nm max.	Output shaft C Nm max.	Weight kg
R2302.1	8	1:1	0.35	1.2	1.2	0.3
R2302.2	8	2:1	0.18	0.6	0.6	0.3