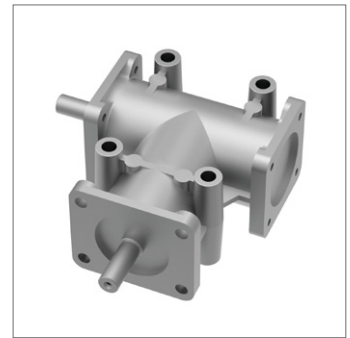
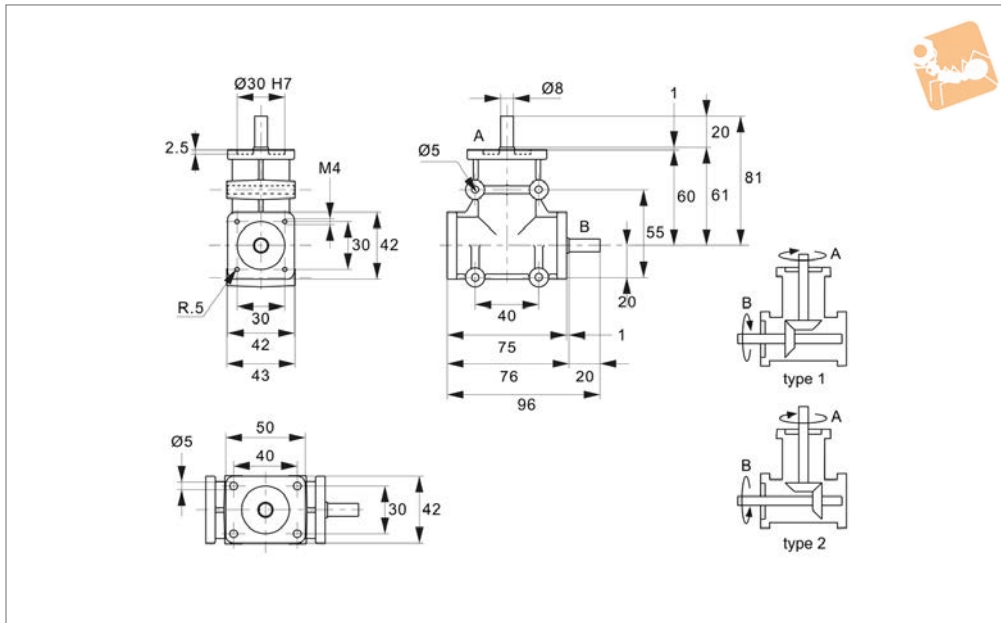




# Right Angle Drives - 2 Shafts

Ø8 shafts

## Right Angle Gear Boxes



**R2320**

RIGHT ANGLE GEAR BOXES

**Material**

Lightweight aluminium alloy housing.  
Case-hardened steel gears and shafts.

**Technical Notes**

Normally used as speed reducers.  
Shaft A is the input shaft. Optimum performance based on max. 1400 rpm input.  
Provides on average 10,000 hours trouble-

free life.

Where ratio geared units are used as speed increasers the optimum input speed is 750 rpm for 1:2 ratios.

Very low operating noise levels. Temperature range is -20° to +80°.  
Max. radial loading :10 Kg.  
Max. axial loading: 2 Kg.

Angular alignment: 15' to 30' of arc.

**Tips**

See technical pages for gear box selection guide, based on motor rating, gearing ratio, load type and expected hourly usage hours.

| Order No. | Shaft dia. tol. f7 | Type | Ratio | Input shaft A kW max. | Output shaft B Nm max. | Weight kg |
|-----------|--------------------|------|-------|-----------------------|------------------------|-----------|
| R2320.1-1 | 8                  | 1    | 1:1   | 0.44                  | 3.00                   | 0.5       |
| R2320.2-1 | 8                  | 2    | 1:1   | 0.44                  | 3.0                    | 0.5       |
| R2320.1-2 | 8                  | 1    | 2:1   | 0.32                  | 2.2                    | 0.5       |
| R2320.2-2 | 8                  | 2    | 2:1   | 0.32                  | 2.2                    | 0.5       |