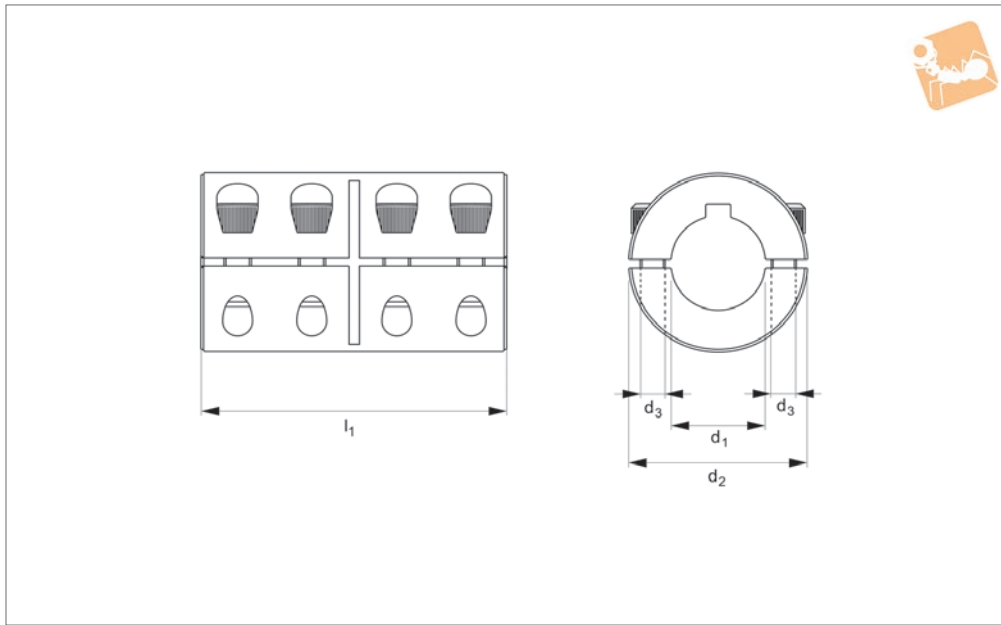




# Rigid Shaft Couplings - One Piece

steel & stainless, long

## Rigid Couplings



## R3200

RIGID COUPLINGS

### Material

Steel (AISI 12L14), black oxide finish, or stainless steel (A2, AISI 303).

High axial load and torque capacity.  
Part shown above with keyway.

Keyways are standard to DIN 6885.  
See keyway technical pages.

### Technical Notes

To fit  $h_7$  or  $h_8$  tolerance shafts.

### Important Notes

Different bore sizes available on request.

| Order No.      | $d_1$<br>tol. H7/H8 | $d_2$ | $d_3$ | $l_1$ | Static torque<br>Nm | Material  | Type        | Torque screw to<br>Nm | Weight<br>g | Weight<br>g |
|----------------|---------------------|-------|-------|-------|---------------------|-----------|-------------|-----------------------|-------------|-------------|
| R3200.060-BL   | 6                   | 18    | M 3   | 6     | 70                  | Steel     | standard    | 2.0                   | 40          | 40          |
| R3200.080-BL   | 8                   | 24    | M 3   | 8     | 70                  | Steel     | standard    | 2.0                   | 100         | 100         |
| R3200.100-BL   | 10                  | 29    | M 4   | 10    | 105                 | Steel     | standard    | 4.5                   | 180         | 180         |
| R3200.120-BL   | 12                  | 29    | M 4   | 12    | 105                 | Steel     | standard    | 4.5                   | 180         | 180         |
| R3200.140-BL   | 14                  | 34    | M 5   | 14    | 200                 | Steel     | standard    | 9.5                   | 270         | 270         |
| R3200.150-BL   | 15                  | 34    | M 5   | 15    | 200                 | Steel     | standard    | 9.5                   | 260         | 260         |
| R3200.160-BL   | 16                  | 34    | M 5   | 16    | 200                 | Steel     | standard    | 9.5                   | 260         | 260         |
| R3200.200-BL   | 20                  | 42    | M 6   | 20    | 350                 | Steel     | standard    | 16.5                  | 510         | 510         |
| R3200.250-BL   | 25                  | 45    | M 6   | 25    | 400                 | Steel     | standard    | 16.5                  | 620         | 620         |
| R3200.300-BL   | 30                  | 53    | M 6   | 30    | 475                 | Steel     | standard    | 16.5                  | 920         | 920         |
| R3200.350-BL   | 35                  | 67    | M 8   | 35    | 1100                | Steel     | standard    | 39.0                  | 1880        | 1880        |
| R3200.400-BL   | 40                  | 77    | M 8   | 40    | 1325                | Steel     | standard    | 39.0                  | 2710        | 2710        |
| R3200.500-BL   | 50                  | 85    | M10   | 50    | 2250                | Steel     | standard    | 78.0                  | 3520        | 3520        |
| R3200.080-BL-K | 8                   | 24    | M 3   | 8     | 70                  | Steel     | with keyway | 2.0                   | 100         | 100         |
| R3200.100-BL-K | 10                  | 29    | M 4   | 10    | 70                  | Steel     | with keyway | 4.5                   | 180         | 180         |
| R3200.120-BL-K | 12                  | 29    | M 4   | 12    | 105                 | Steel     | with keyway | 4.5                   | 180         | 180         |
| R3200.140-BL-K | 14                  | 34    | M 5   | 14    | 200                 | Steel     | with keyway | 9.5                   | 270         | 270         |
| R3200.150-BL-K | 15                  | 34    | M 5   | 15    | 200                 | Steel     | with keyway | 9.5                   | 260         | 260         |
| R3200.160-BL-K | 16                  | 34    | M 5   | 16    | 200                 | Steel     | with keyway | 9.5                   | 260         | 260         |
| R3200.200-BL-K | 20                  | 42    | M 6   | 20    | 350                 | Steel     | with keyway | 16.5                  | 510         | 510         |
| R3200.250-BL-K | 25                  | 45    | M 6   | 25    | 400                 | Steel     | with keyway | 16.5                  | 620         | 620         |
| R3200.300-BL-K | 30                  | 53    | M 6   | 30    | 475                 | Steel     | with keyway | 16.5                  | 920         | 920         |
| R3200.350-BL-K | 35                  | 67    | M 8   | 35    | 1100                | Steel     | with keyway | 39.0                  | 1880        | 1880        |
| R3200.400-BL-K | 40                  | 77    | M 8   | 40    | 1325                | Steel     | with keyway | 39.0                  | 2710        | 2710        |
| R3200.500-BL-K | 50                  | 85    | M10   | 50    | 2250                | Steel     | with keyway | 78.0                  | 3520        | 3520        |
| R3200.060-A2   | 6                   | 18    | M 3   | 6     | 23                  | Stainless | standard    | 1.0                   | 40          | 40          |
| R3200.080-A2   | 8                   | 24    | M 3   | 8     | 23                  | Stainless | standard    | 1.0                   | 100         | 100         |
| R3200.100-A2   | 10                  | 29    | M 4   | 10    | 32                  | Stainless | standard    | 2.5                   | 180         | 180         |
| R3200.120-A2   | 12                  | 29    | M 4   | 12    | 32                  | Stainless | standard    | 2.5                   | 180         | 180         |
| R3200.140-A2   | 14                  | 34    | M 5   | 14    | 60                  | Stainless | standard    | 5.0                   | 270         | 270         |
| R3200.150-A2   | 15                  | 34    | M 5   | 15    | 60                  | Stainless | standard    | 5.0                   | 260         | 260         |
| R3200.160-A2   | 16                  | 34    | M 5   | 16    | 60                  | Stainless | standard    | 5.0                   | 260         | 260         |



| Order No.             | d <sub>1</sub><br>tol. H7/H8 | d <sub>2</sub> | d <sub>3</sub> | l <sub>1</sub> | Static torque<br>Nm | Material  | Type        | Torque screw to<br>Nm | Weight<br>g | Weight<br>g |
|-----------------------|------------------------------|----------------|----------------|----------------|---------------------|-----------|-------------|-----------------------|-------------|-------------|
| <b>R3200.200-A2</b>   | 20                           | 42             | M 6            | 20             | 110                 | Stainless | standard    | 8.5                   | 510         | 510         |
| <b>R3200.250-A2</b>   | 25                           | 45             | M 6            | 25             | 120                 | Stainless | standard    | 8.5                   | 620         | 620         |
| <b>R3200.300-A2</b>   | 30                           | 53             | M 6            | 30             | 150                 | Stainless | standard    | 8.5                   | 920         | 920         |
| <b>R3200.350-A2</b>   | 35                           | 67             | M 8            | 35             | 330                 | Stainless | standard    | 20.5                  | 1880        | 1880        |
| <b>R3200.400-A2</b>   | 40                           | 77             | M 8            | 40             | 400                 | Stainless | standard    | 20.5                  | 2710        | 2710        |
| <b>R3200.500-A2</b>   | 50                           | 85             | M10            | 50             | 675                 | Stainless | standard    | 41.5                  | 3520        | 3520        |
| <b>R3200.080-A2-K</b> | 8                            | 24             | M 3            | 8              | 23                  | Stainless | with keyway | 1.0                   | 100         | 100         |
| <b>R3200.100-A2-K</b> | 10                           | 29             | M 4            | 10             | 23                  | Stainless | with keyway | 2.5                   | 180         | 180         |
| <b>R3200.120-A2-K</b> | 12                           | 29             | M 4            | 12             | 32                  | Stainless | with keyway | 2.5                   | 180         | 180         |
| <b>R3200.140-A2-K</b> | 14                           | 34             | M 5            | 14             | 60                  | Stainless | with keyway | 5.0                   | 270         | 270         |
| <b>R3200.150-A2-K</b> | 15                           | 34             | M 5            | 15             | 60                  | Stainless | with keyway | 5.0                   | 260         | 260         |
| <b>R3200.160-A2-K</b> | 16                           | 34             | M 5            | 16             | 60                  | Stainless | with keyway | 5.0                   | 260         | 260         |
| <b>R3200.200-A2-K</b> | 20                           | 42             | M 6            | 20             | 110                 | Stainless | with keyway | 8.5                   | 510         | 510         |
| <b>R3200.250-A2-K</b> | 25                           | 45             | M 6            | 25             | 120                 | Stainless | with keyway | 8.5                   | 620         | 620         |
| <b>R3200.300-A2-K</b> | 30                           | 53             | M 6            | 30             | 150                 | Stainless | with keyway | 8.5                   | 920         | 920         |
| <b>R3200.350-A2-K</b> | 35                           | 67             | M 8            | 35             | 330                 | Stainless | with keyway | 20.5                  | 1880        | 1880        |
| <b>R3200.400-A2-K</b> | 40                           | 77             | M 8            | 40             | 400                 | Stainless | with keyway | 20.5                  | 2710        | 2710        |
| <b>R3200.500-A2-K</b> | 50                           | 85             | M10            | 50             | 675                 | Stainless | with keyway | 41.5                  | 3520        | 3520        |