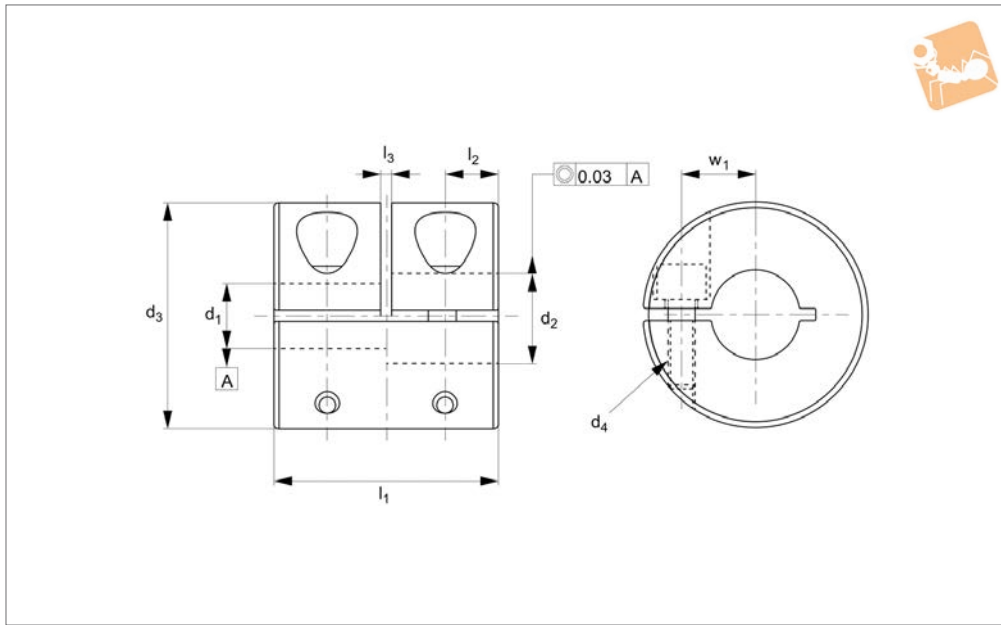
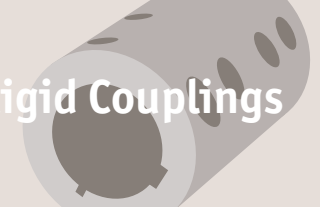




Rigid Shaft Coupling - One Piece

Aluminium, short

Rigid Couplings



R3201

RIGID COUPLINGS

Material

Aluminium alloy, anodised

Technical Notes

Light weight, maintenance free and corro-

sion resistant.

Reciprocating torque is quarter static torque.

Rotational torque is half static torque.

Order No.	d ₁ tol. H7/H8	d ₂ tol. H7/H8	d ₃	d ₄	l ₁	l ₂	l ₃	w	Static torque Nm	rpm max.	Moment of inertia kg·m ²	Torque screw to Nm	Weight g
R3201.16-05-05	5	5	16	M 2,5	16	3,75	1,0	5,0	0,6	9500	3,0x10 ⁻⁷	1,0	9
R3201.16-05-06	5	6	16	M 2,5	16	3,75	1,0	5,0	0,6	9500	3,0x10 ⁻⁷	1,0	9
R3201.16-06-06	6	6	16	M 2,5	16	3,75	1,0	5,0	0,6	9500	3,0x10 ⁻⁷	1,0	9
R3201.20-06-06	6	6	20	M 2,5	20	4,75	1,0	6,5	1	7600	8,7x10 ⁻⁷	1,0	15
R3201.20-06-08	6	8	20	M 2,5	20	4,75	1,0	6,5	1	7600	8,7x10 ⁻⁷	1,0	15
R3201.20-08-08	8	8	20	M 2,5	20	4,75	1,0	6,5	1	7600	8,7x10 ⁻⁷	1,0	15
R3201.25-08-08	8	8	25	M 3	25	6,0	1,0	9,0	2	6100	2,7x10 ⁻⁶	1,5	29
R3201.25-08-10	8	10	25	M 3	25	6,0	1,0	9,0	2	6100	2,7x10 ⁻⁶	1,5	29
R3201.25-10-10	10	10	25	M 3	25	6,0	1,0	9,0	2	6100	2,7x10 ⁻⁶	1,5	29
R3201.32-10-10	10	10	32	M 4	32	7,75	1,0	11,0	4	4800	7,1x10 ⁻⁶	2,5	61
R3201.32-10-12	10	12	32	M 4	32	7,75	1,0	11,0	4	4800	7,1x10 ⁻⁶	2,5	61
R3201.32-10-14	10	14	32	M 4	32	7,75	1,0	11,0	4	4800	7,1x10 ⁻⁶	2,5	61
R3201.32-12-12	12	12	32	M 4	32	7,75	1,0	11,0	4	4800	7,1x10 ⁻⁶	2,5	61
R3201.32-12-14	12	14	32	M 4	32	7,75	1,0	11,0	4	4800	7,1x10 ⁻⁶	2,5	61
R3201.32-14-14	14	14	32	M 4	32	7,75	1,0	11,0	4	4800	7,1x10 ⁻⁶	2,5	61
R3201.40-14-14	14	14	40	M 5	44	10,5	1,5	13,0	8	4000	1,5x10 ⁻⁵	7,0	120
R3201.40-14-15	14	15	40	M 5	44	10,5	1,5	13,0	8	4000	1,5x10 ⁻⁵	7,0	120
R3201.40-14-16	14	16	40	M 5	44	10,5	1,5	13,0	8	4000	1,5x10 ⁻⁵	7,0	120
R3201.40-14-18	14	18	40	M 5	44	10,5	1,5	13,0	8	4000	1,5x10 ⁻⁵	7,0	120
R3201.40-15-15	15	15	40	M 5	44	10,5	1,5	13,0	8	4000	1,5x10 ⁻⁵	7,0	120
R3201.40-15-16	15	16	40	M 5	44	10,5	1,5	13,0	8	4000	1,5x10 ⁻⁵	7,0	120
R3201.40-15-18	15	18	40	M 5	44	10,5	1,5	13,0	8	4000	1,5x10 ⁻⁵	7,0	120
R3201.40-16-16	16	16	40	M 5	44	10,5	1,5	13,0	8	4000	1,5x10 ⁻⁵	7,0	120
R3201.40-16-18	16	18	40	M 5	44	10,5	1,5	13,0	8	4000	1,5x10 ⁻⁵	7,0	120
R3201.40-18-18	18	18	40	M 5	44	10,5	1,5	13,0	8	4000	1,5x10 ⁻⁵	7,0	120