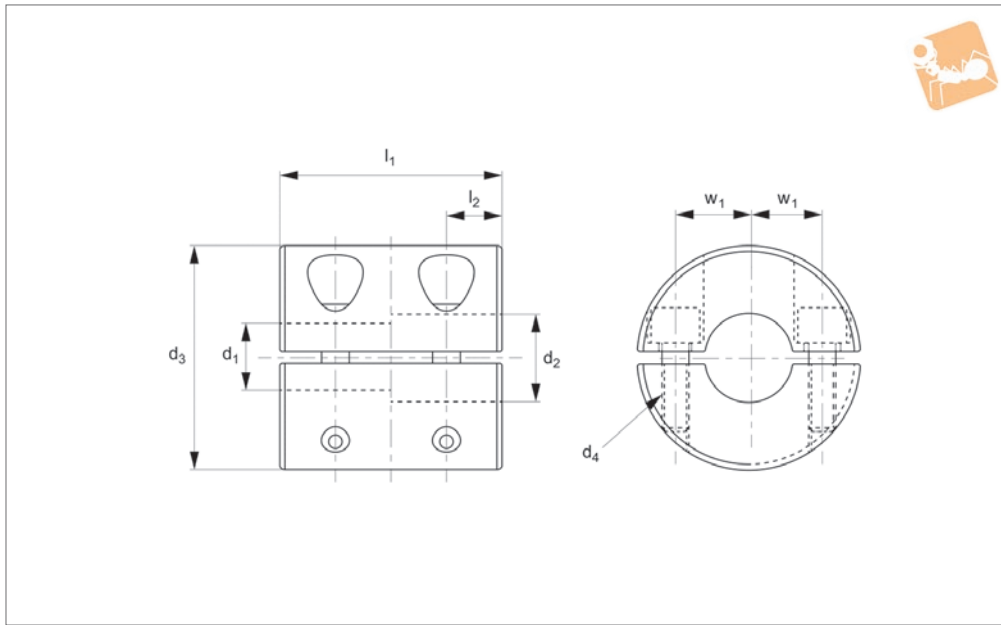
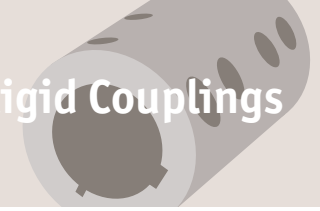




Rigid Shaft Coupling - Two Piece

Stainless, short

Rigid Couplings



R3207

RIGID COUPLINGS

Material

Stainless steel (A2).

Technical Notes

Light, very low inertial, beam type with minimal allowable offset.

Maintenance free, excellent anti-oil and corrosion resistance.

Reciprocating torque is quarter static torque.

Rotational torque is half static torque.

Important Notes

Different bore sizes available on request. For keyways, please add „-KW“ suffix when ordering.

Order No.	d ₁ tol. H7/H8	d ₂ tol. H7/H8	d ₃	d ₄	l ₁	l ₂	Static torque Nm	rpm max.	Moment of inertia kg·m ²	Torque screw to Nm	Weight g	Weight g
R3207.16-05-05	5	5	16	M2,5	16	4	0.6	9500	8,2x10 ⁻⁷	1.0	22	22
R3207.16-05-06	5	6	16	M2,5	16	4	0.6	9500	8,2x10 ⁻⁷	1.0	22	22
R3207.16-06-06	6	6	16	M2,5	16	4	0.6	9500	8,2x10 ⁻⁷	1.0	22	22
R3207.20-06-06	6	6	20	M2,5	20	5	1	7600	2,4x10 ⁻⁶	1.0	41	41
R3207.20-06-08	6	-	20	M2,5	20	5	1	7600	2,4x10 ⁻⁶	1.0	41	41
R3207.20-08-08	8	8	20	M2,5	20	5	1	7600	2,4x10 ⁻⁶	1.0	41	41
R3207.25-08-08	8	8	25	M 3	25	6	2	6100	7,3x10 ⁻⁶	1.5	80	80
R3207.25-08-10	8	10	25	M 3	25	6	2	6100	7,3x10 ⁻⁶	1.5	80	80
R3207.25-10-10	10	10	25	M 3	25	6	2	6100	7,3x10 ⁻⁶	1.5	80	80
R3207.32-10-10	10	10	32	M 4	32	8	4	4800	2,5x10 ⁻⁵	2.5	160	160
R3207.32-10-12	10	12	32	M 4	32	8	4	4800	2,5x10 ⁻⁵	2.5	160	160
R3207.32-10-14	10	14	32	M 4	32	8	4	4800	2,5x10 ⁻⁵	2.5	160	160
R3207.32-12-12	12	12	32	M 4	32	8	4	4800	2,5x10 ⁻⁵	2.5	160	160
R3207.32-12-14	12	14	32	M 4	32	8	4	4800	2,5x10 ⁻⁵	2.5	160	160
R3207.32-14-14	14	14	32	M 4	32	8	4	4800	2,5x10 ⁻⁵	2.5	160	160