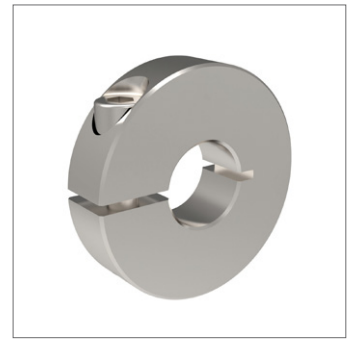
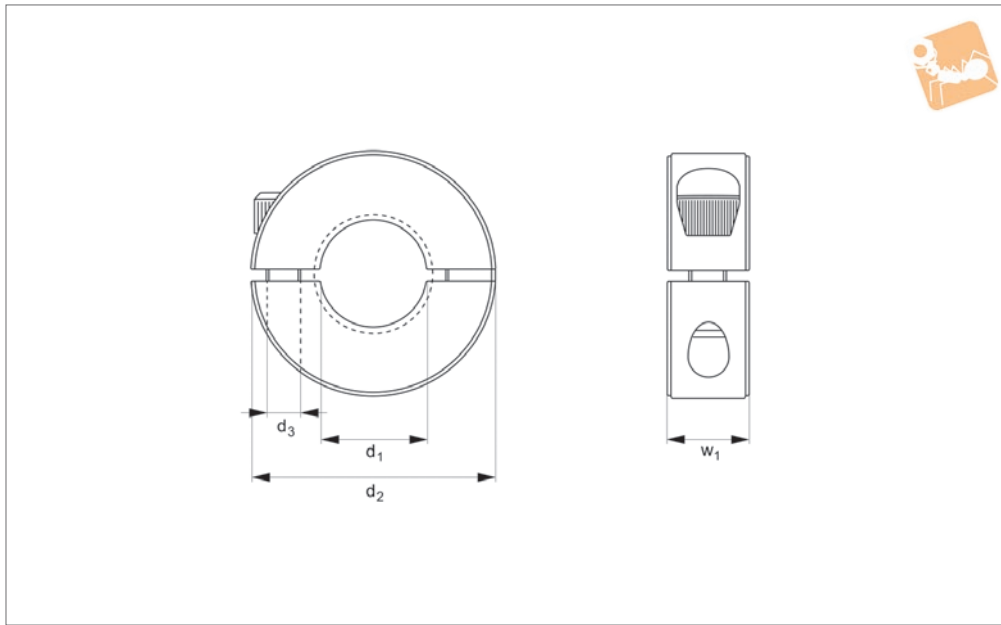




Shaft Collars - One Piece

Steel & stainless

Rigid Couplings



R3212

RIGID COUPLINGS

Material

Steel (AISI 12L14), black oxide finish, or stainless steel (A2, AISI 303).

marring or damaging. Greater axial holding power than set screw collars, effective on hard and soft shafts.

For keyways, please add „-KW“ suffix when ordering.

Technical Notes

Design fully engages the shaft without

Important Notes

Different bore sizes available on request.

| Order No. | Material | d ₁ tol. H7/H8 | d ₂ tol. H7/H8 | d ₃ | w | Torque screw to Nm | Weight g |
|--------------|-----------|------------------------------|------------------------------|----------------|----|-----------------------|-------------|
| R3212.030-BL | Steel | 3 | 16 | M 3 | 9 | 2.0 | 10 |
| R3212.040-BL | Steel | 4 | 16 | M 3 | 9 | 2.0 | 10 |
| R3212.050-BL | Steel | 5 | 16 | M 3 | 9 | 2.0 | 10 |
| R3212.060-BL | Steel | 6 | 16 | M 3 | 9 | 2.0 | 10 |
| R3212.080-BL | Steel | 8 | 18 | M 3 | 9 | 2.0 | 10 |
| R3212.090-BL | Steel | 9 | 24 | M 3 | 9 | 2.0 | 20 |
| R3212.100-BL | Steel | 10 | 24 | M 3 | 9 | 2.0 | 20 |
| R3212.120-BL | Steel | 12 | 28 | M 4 | 11 | 4.5 | 40 |
| R3212.130-BL | Steel | 13 | 30 | M 4 | 11 | 4.5 | 40 |
| R3212.140-BL | Steel | 14 | 30 | M 4 | 11 | 4.5 | 40 |
| R3212.150-BL | Steel | 15 | 34 | M 5 | 13 | 9.5 | 70 |
| R3212.160-BL | Steel | 16 | 34 | M 5 | 13 | 9.5 | 70 |
| R3212.170-BL | Steel | 17 | 36 | M 5 | 13 | 9.5 | 80 |
| R3212.180-BL | Steel | 18 | 36 | M 5 | 13 | 9.5 | 70 |
| R3212.200-BL | Steel | 20 | 40 | M 6 | 15 | 16.5 | 110 |
| R3212.250-BL | Steel | 25 | 47 | M 6 | 15 | 16.5 | 120 |
| R3212.300-BL | Steel | 30 | 54 | M 6 | 15 | 16.5 | 180 |
| R3212.350-BL | Steel | 35 | 57 | M 6 | 15 | 16.5 | 180 |
| R3212.400-BL | Steel | 40 | 60 | M 6 | 15 | 16.5 | 180 |
| R3212.450-BL | Steel | 45 | 73 | M 8 | 19 | 39.0 | 380 |
| R3212.500-BL | Steel | 50 | 78 | M 8 | 19 | 39.0 | 410 |
| R3212.550-BL | Steel | 55 | 82 | M 8 | 19 | 39.0 | 430 |
| R3212.600-BL | Steel | 60 | 88 | M 8 | 19 | 39.0 | 480 |
| R3212.650-BL | Steel | 65 | 93 | M 8 | 19 | 39.0 | 510 |
| R3212.700-BL | Steel | 70 | 98 | M 8 | 19 | 39.0 | 550 |
| R3212.750-BL | Steel | 75 | 103 | M 8 | 19 | 39.0 | 580 |
| R3212.800-BL | Steel | 80 | 108 | M 8 | 19 | 39.0 | 610 |
| R3212.030-A2 | Stainless | 3 | 16 | M 3 | 9 | 1.0 | 10 |
| R3212.040-A2 | Stainless | 4 | 16 | M 3 | 9 | 1.0 | 10 |
| R3212.050-A2 | Stainless | 5 | 16 | M 3 | 9 | 1.0 | 10 |
| R3212.060-A2 | Stainless | 6 | 16 | M 3 | 9 | 1.0 | 10 |
| R3212.080-A2 | Stainless | 8 | 18 | M 3 | 9 | 1.0 | 10 |



| Order No. | Material | d ₁ tol. H7/H8 | d ₂ tol. H7/H8 | d ₃ | w | Torque screw to Nm | Weight g |
|--------------|-----------|------------------------------|------------------------------|----------------|----|-----------------------|-------------|
| R3212.090-A2 | Stainless | 9 | 24 | M 3 | 9 | 1.0 | 20 |
| R3212.100-A2 | Stainless | 10 | 24 | M 3 | 9 | 1.0 | 20 |
| R3212.120-A2 | Stainless | 12 | 28 | M 4 | 11 | 2.5 | 40 |
| R3212.130-A2 | Stainless | 13 | 30 | M 4 | 11 | 2.5 | 40 |
| R3212.140-A2 | Stainless | 14 | 30 | M 4 | 11 | 2.5 | 40 |
| R3212.150-A2 | Stainless | 15 | 34 | M 5 | 13 | 5.0 | 70 |
| R3212.160-A2 | Stainless | 16 | 34 | M 5 | 13 | 5.0 | 70 |
| R3212.170-A2 | Stainless | 17 | 36 | M 5 | 13 | 5.0 | 80 |
| R3212.180-A2 | Stainless | 18 | 36 | M 5 | 13 | 5.0 | 70 |
| R3212.200-A2 | Stainless | 20 | 40 | M 6 | 15 | 8.5 | 110 |
| R3212.250-A2 | Stainless | 25 | 47 | M 6 | 15 | 8.5 | 120 |
| R3212.300-A2 | Stainless | 30 | 54 | M 6 | 15 | 8.5 | 180 |
| R3212.350-A2 | Stainless | 35 | 57 | M 6 | 15 | 8.5 | 180 |
| R3212.400-A2 | Stainless | 40 | 60 | M 6 | 15 | 8.5 | 180 |
| R3212.450-A2 | Stainless | 45 | 73 | M 8 | 19 | 20.5 | 380 |
| R3212.500-A2 | Stainless | 50 | 78 | M 8 | 19 | 20.5 | 410 |
| R3212.550-A2 | Stainless | 55 | 52 | M 8 | 19 | 20.5 | 430 |
| R3212.600-A2 | Stainless | 60 | 88 | M 8 | 19 | 20.5 | 480 |
| R3212.650-A2 | Stainless | 65 | 93 | M 8 | 19 | 20.5 | 510 |
| R3212.700-A2 | Stainless | 70 | 98 | M 8 | 19 | 20.5 | 550 |
| R3212.750-A2 | Stainless | 75 | 103 | M 8 | 19 | 20.5 | 580 |
| R3212.800-A2 | Stainless | 80 | 108 | M 8 | 19 | 20.5 | 610 |