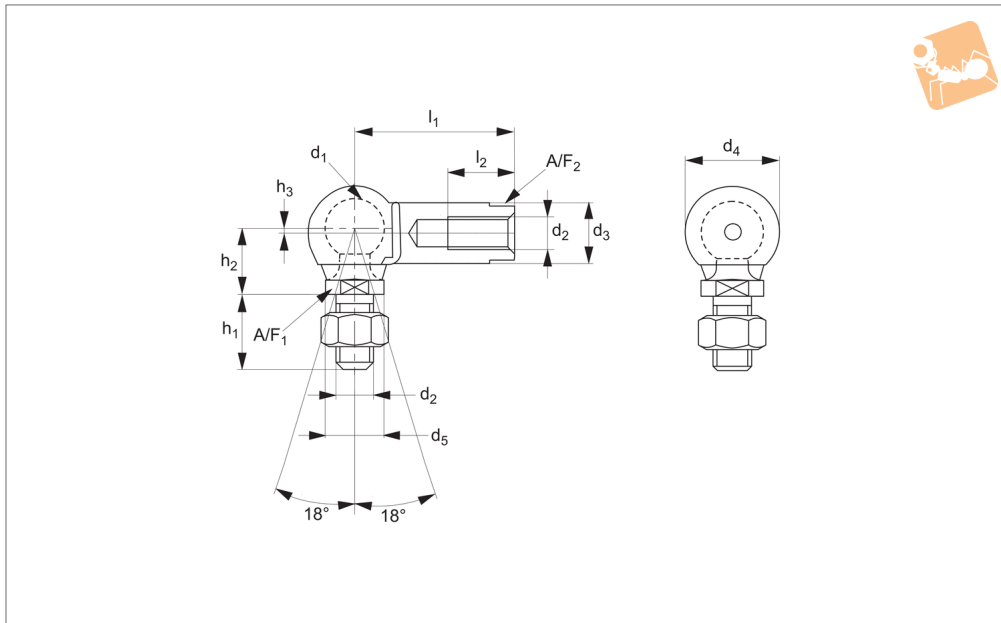




Stainless Ball and Socket Joint with flats on housing

Ball & Socket Joints



R3496

BALL & SOCKET JOINTS

Material

Stainless steel (A2, AISI 303), sealing cap: neoprene.

Technical Notes

To DIN 71802 form CS, supplied with hexagon nut.

Safety ring aids the retention of the ball

stud in the housing.

*M14x1,5 is a fine pitch thread.

Tips

Standard thread is right hand, (for left hand thread see R3497).

Important Notes

Thread is not full length. There is a min 1.5mm unthreaded shank. If using part without the supplied nut, then please consider a counterbore to accommodate the unthreaded shank.

Order No.	Thread hand	d ₁	l ₁ ±0.3	d ₂	d ₃ ±0.5	d ₄ ±0.5	d ₅ ±0.5	h ₁ ±0.3	h ₂ ±0.3	h ₃	Weight g
R3496.R005	Right	8	22	M5	8	12.8	8	10.0	9	0.65	15.2
R3496.R006	Right	10	25	M6	8	14.8	10	12.5	11	0.70	25.2
R3496.R008	Right	13	30	M8	13	19.3	13	16.5	13	1.15	53.1
R3496.R010	Right	16	35	M10	16	24.0	16	20.0	16	1.15	103.8
R3496.R012	Right	16	35	M12	16	24.0	16	20.0	16	1.15	103.8
R3496.R014	Right	19	45	M14x1,5*	22	30.0	22	28.0	20	0.50	220.9
R3496.R015	Right	19	45	M14	22	30.0	22	28.0	20	0.50	220.9
R3496.R016	Right	19	45	M16	22	30.0	22	28.0	20	0.50	220.9

Order No.	l ₂ min.	A/F ₁	A/F ₂	Extraction force kg min.	Static load kg max.	Dyn. load C kg max.	Force required for movement kg max.
R3496.R005	10.2	7	-	3	50	20	3
R3496.R006	11.5	8	-	4	100	40	4
R3496.R008	14.0	11	-	6	200	80	6
R3496.R010	15.5	13	-	8	400	160	8
R3496.R012	15.5	13	-	8	400	160	8
R3496.R014	21.5	16	19	10	800	320	10
R3496.R015	21.5	16	19	10	800	320	10
R3496.R016	21.5	16	19	10	800	320	10