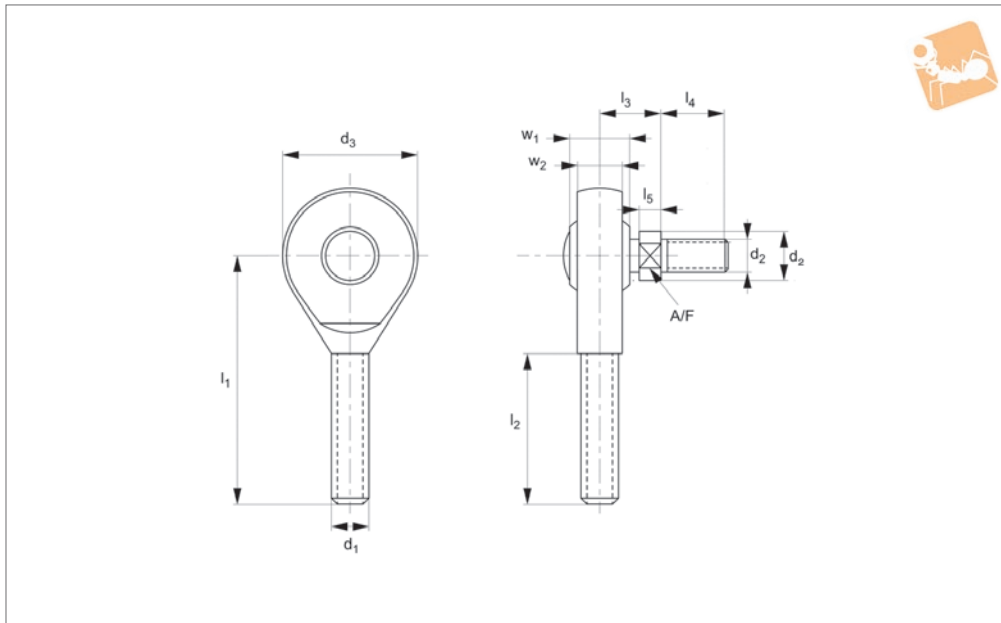




# Imperial Male Rod End with Stud with Nylon bearing race



### R3617.i

ROD ENDS

#### Material

Housing and Stud: Yellow zinc plated steel.  
Ball: Zinc plated, surface hardened steel.

forced nylon bearing race.  
Female thread, Maintenance free, yellow zinc is not RoHS Compliant.

end studs are all Right hand threads.

#### Technical Notes

Features an injection molded, fibre rein-

#### Tips

Standard thread is Right hand thread, rod

Order No.	Thread hand	d <sub>1</sub>	d <sub>2</sub>	l <sub>1</sub>	w <sub>1</sub>	d <sub>3</sub>	d <sub>4</sub>	l <sub>2</sub>	l <sub>3</sub>	l <sub>4</sub>	l <sub>5</sub>	w <sub>2</sub>	A/F	a <sub>o</sub>
R3617.I250	Right	10-32	10-32	1.562	0.375	0.750	0.304	1.000	0.469	0.562	0.125	0.281	0.375	25
R3617.I313	Right	5/16-24	5/16-24	1.875	0.437	0.875	0.356	1.250	0.531	0.687	0.125	0.344	0.437	25
R3617.I375	Right	3/8-24	3/8-24	2.000	0.500	1.090	0.424	1.250	0.644	0.906	0.187	0.406	0.500	25
R3617.I500	Right	1/2-20	1/2-20	2.437	0.625	1.380	0.564	1.500	0.875	1.125	0.250	0.500	0.625	25
R3617.I625	Right	5/8-18	5/8-18	2.625	0.750	1.500	0.622	1.625	1.000	1.125	0.375	0.562	0.750	25
R3617.I750	Right	3/4-16	3/4-16	2.875	0.875	1.750	0.747	1.750	1.187	1.812	0.375	0.687	1.000	25
R3617.IL250	Left	10-32	10-32	1.562	0.375	0.750	0.304	1.000	0.469	0.562	0.125	0.281	0.375	25
R3617.IL313	Left	5/16-24	5/16-24	1.875	0.437	0.875	0.356	1.250	0.531	0.687	0.125	0.344	0.437	25
R3617.IL375	Left	3/8-24	3/8-24	2.000	0.500	1.090	0.424	1.250	0.644	0.906	0.187	0.406	0.500	25
R3617.IL500	Left	1/2-20	1/2-20	2.437	0.625	1.380	0.564	1.500	0.875	1.125	0.250	0.500	0.625	25