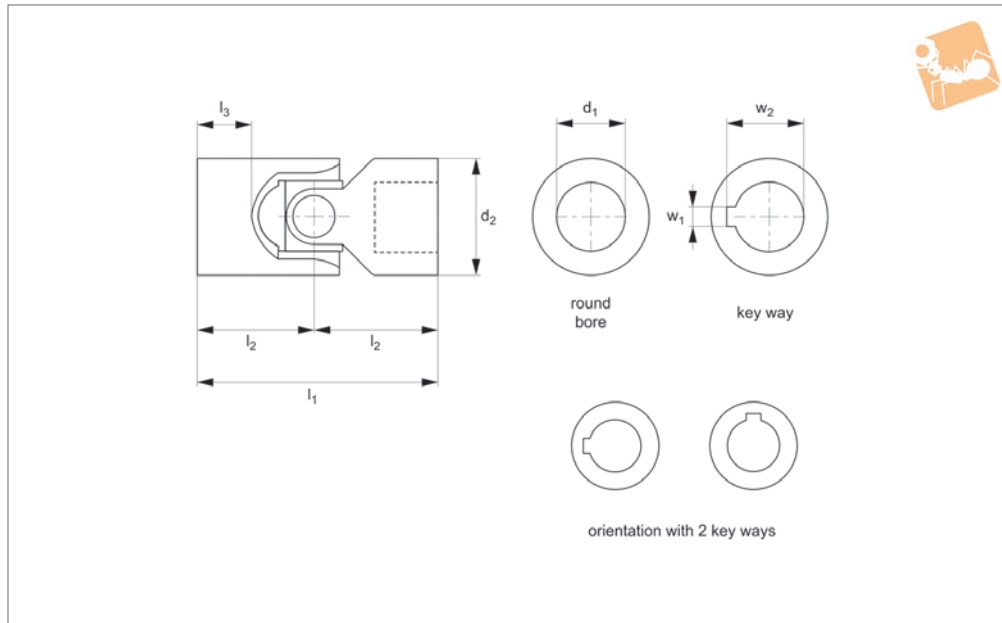


Single Universal joint

Needle roller bearing

Universal Joints



R3690

UNIVERSAL JOINTS

Material

Steel (9SMnPb28k, no. 10718).
Bearing type: needle roller bearing.

Technical Notes

To DIN 808.
Maximum bending angle 45° per joint.

Roller bearing lubricated for life.
No maintenance required. Precise, silent and smooth running, Max. drive speed of 4000 rpm.

Tips

Single universal joints are used where

shafts are off-set towards each other.
Product variations available on request, for square bores change the suffix to SQ for square bores or HX for hex bores.

Order No.	Bore dia.	d_1 tol. H7	d_2	l_1	l_2	l_3	w_1 tol. JS9	w_2	Weight g
R3690.010-RB	Round bore	10	22	48	24	12	-	-	100
R3690.012-RB	Round Bore	12	25	56	28	13	-	-	160
R3690.014-RB	Round Bore	14	28	60	30	14	-	-	200
R3690.016-RB	Round Bore	16	32	68	34	16	-	-	300
R3690.018-RB	Round Bore	18	36	74	37	17	-	-	450
R3690.020-RB	Round Bore	20	42	82	41	18	-	-	600
R3690.022-RB	Round Bore	22	45	95	47.5	22	-	-	950
R3690.025-RB	Round Bore	25	50	108	54	26	-	-	1200
R3690.030-RB	Round Bore	30	58	122	61	29	-	-	1850
R3690.032-RB	Round Bore	32	58	130	65	33	-	-	2000
R3690.035-RB	Round Bore	35	70	140	70	35	-	-	3150
R3690.040-RB	Round Bore	40	80	160	80	39	-	-	4600
R3690.050-RB	Round Bore	50	95	190	95	46	-	-	7600
R3690.010-HB	Hex bore	10	22	48	24	12	-	-	100
R3690.012-HB	Hex bore	12	25	56	28	13	-	-	160
R3690.014-HB	Hex bore	14	28	60	30	14	-	-	200
R3690.016-HB	Hex bore	16	32	68	34	16	-	-	300
R3690.018-HB	Hex bore	18	36	74	37	17	-	-	450
R3690.020-HB	Hex bore	20	42	82	41	18	-	-	600
R3690.022-HB	Hex bore	22	45	95	47.5	22	-	-	950
R3690.025-HB	Hex bore	25	50	108	54	26	-	-	1200
R3690.030-HB	Hex bore	30	58	122	61	29	-	-	1850
R3690.032-HB	Hex bore	32	58	130	65	33	-	-	2000
R3690.035-HB	Hex bore	35	70	140	70	35	-	-	3150
R3690.040-HB	Hex bore	40	80	160	80	39	-	-	4600
R3690.050-HB	Hex bore	50	95	190	95	46	-	-	7600
R3690.010-SB	Square bore	10	22	48	24	12	-	-	100
R3690.012-SB	Square bore	12	25	56	28	13	-	-	160
R3690.014-SB	Square bore	14	28	60	30	14	-	-	200
R3690.016-SB	Square bore	16	32	68	34	16	-	-	300
R3690.018-SB	Square bore	18	36	74	37	17	-	-	450



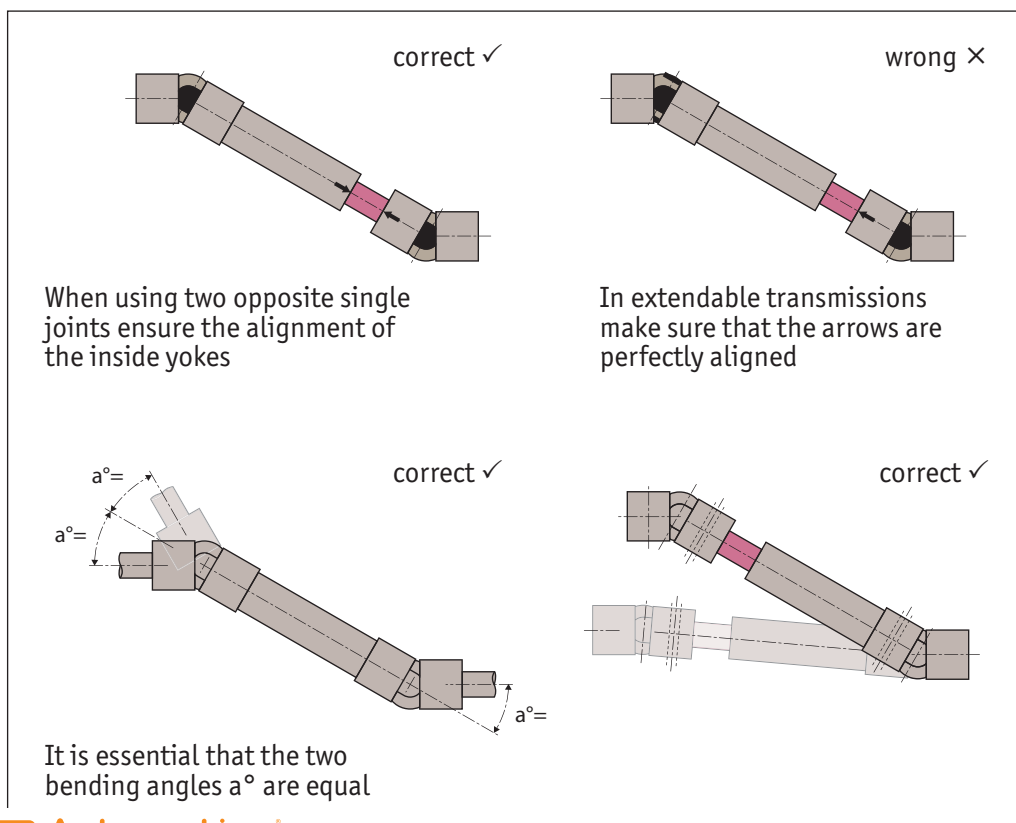
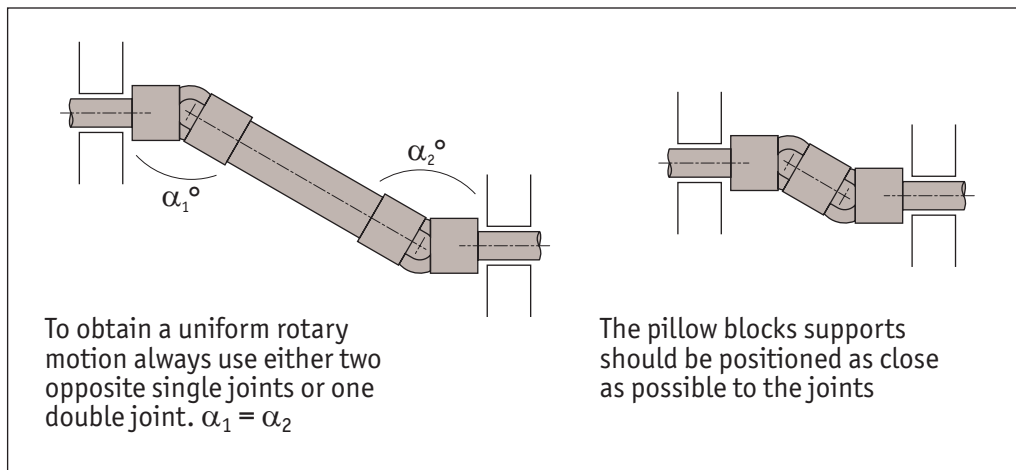
Order No.	Bore dia.	d ₁ tol. H7	d ₂	l ₁	l ₂	l ₃	w ₁ tol. JS9	w ₂	Weight g
R3690.020-SB	Square bore	20	42	82	41	18	-	-	600
R3690.022-SB	Square bore	22	45	95	47.5	22	-	-	950
R3690.025-SB	Square bore	25	50	108	54	26	-	-	1200
R3690.030-SB	Square bore	30	58	122	61	29	-	-	1850
R3690.032-SB	Square bore	32	58	130	65	33	-	-	2000
R3690.035-SB	Square bore	35	70	140	70	35	-	-	3150
R3690.040-SB	Square bore	40	80	160	80	39	-	-	4600
R3690.050-SB	Square bore	50	95	190	95	46	-	-	7600
R3690.010-KW	With keyway	10	22	48	24	12	3	11.4	100
R3690.012-KW	With Keyway	12	25	56	28	13	4	13.8	160
R3690.014-KW	With Keyway	14	28	60	30	14	5	16.3	200
R3690.016-KW	With Keyway	16	32	68	34	16	5	18.3	300
R3690.018-KW	With Keyway	18	36	74	37	17	6	20.8	450
R3690.020-KW	With Keyway	20	42	82	41	18	6	22.8	600
R3690.022-KW	With Keyway	22	45	95	47.5	22	6	24.8	950
R3690.025-KW	With Keyway	25	50	108	54	26	8	28.3	1200
R3690.030-KW	With Keyway	30	58	122	61	29	8	33.3	1850
R3690.032-KW	With Keyway	32	58	130	65	33	10	35.3	2000
R3690.035-KW	With Keyway	35	70	140	70	35	10	38.3	3150
R3690.040-KW	With Keyway	40	80	160	80	39	12	43.3	4600
R3690.050-KW	With Keyway	50	95	190	95	46	14	53.8	7600

When one single joint is coupled with two shafts (of which the driving one is rotating at a constant speed) forming an angle, a periodic variation of the driven shaft is caused with exactly four fluctuations per revolution.

The difference between the maximum and the minimum speed of the driven shaft depends on the angle formed by the two shafts. The difference grows with the increase of the angle a° . To have a smooth transmission, either two opposite single joints (ensuring that the two central yokes lie on the same plane and the angles are equal) or a double joint need to be fitted. The irregularity caused by the articulation of the first unisex joint is cancelled by the second unisex joint. The overall length resulting from the coupling of the two single joints can be reduced by using a double unisex joint. In other words, the double joint is to be considered as the shortest method of achieving smooth transmission.

For low speed applications (max. 1000 rpm), joints with plain bearings are recommended. They are able to support shock loads, motion reversal, irregular running and relatively high torques. The working angles must be restricted when using at speeds between 500 - 1000 rpm. Please consult our technical department if you have such an application.

For high rotation speeds, relatively low torques or wide angles, joints with needle roller bearings are preferred. They can reach 4000 rpm dependent on the angle.





How to read diagrams

The joints capacity to transmit a regular torque at a constant load with no shocks, for a long period, mainly depends on the number of revolutions per minute and the inclination angle a° of the two axes. The diagrams on the following pages are based on this. Each curve corresponds to the joint size (outside diameter "D") and represents the torque that the joint can transmit depending on speed and working angle a° .

The diagrams can be directly read if angle (a°) is 10° . For wider angles, torques are reduced, these should be corrected using the correction vales (F) relating to the angle shown in the table.

IMPORTANT

Graph values are merely indicative and refer to the single joints only. When choosing a double joint, you have to consider that they can transmit a torque about 10% lower than the same sized single joints. Each application has its own particular motion characteristics, such as: shock loads, motion reversals, connected masses, kind of starting, presence of elastic joints, stops and starts, etc., that have to be considered when choosing the joint.

Working angle a°	Correction value F
5°	1,25
10°	1,00
15°	0,80
20°	0,65
25°	0,55
30°	0,45
35°	0,38
40°	0,30
45°	0,25

Torque Calculation for Plain Bearings

Power: 0,65 KW, RPM: 230

With working angle a 10° Value F = 1 we get point P. Torque = 27 Nm corresponding to joint size "D" = 25/26mm. = Types R3688.016 and R3689.012

With working angle a 30° Value F = 0.45 (Kw 0,65: 0,45 = 1,44Kw) we get point P1 Torque = 60 Nm corresponding to joint size "D" = 32mm. = Types R3688.020 and R3689.016

Consider that:

$$\text{Torque in Nm} = 9550 \times \frac{\text{Power (KW)}}{\text{RPM}}$$

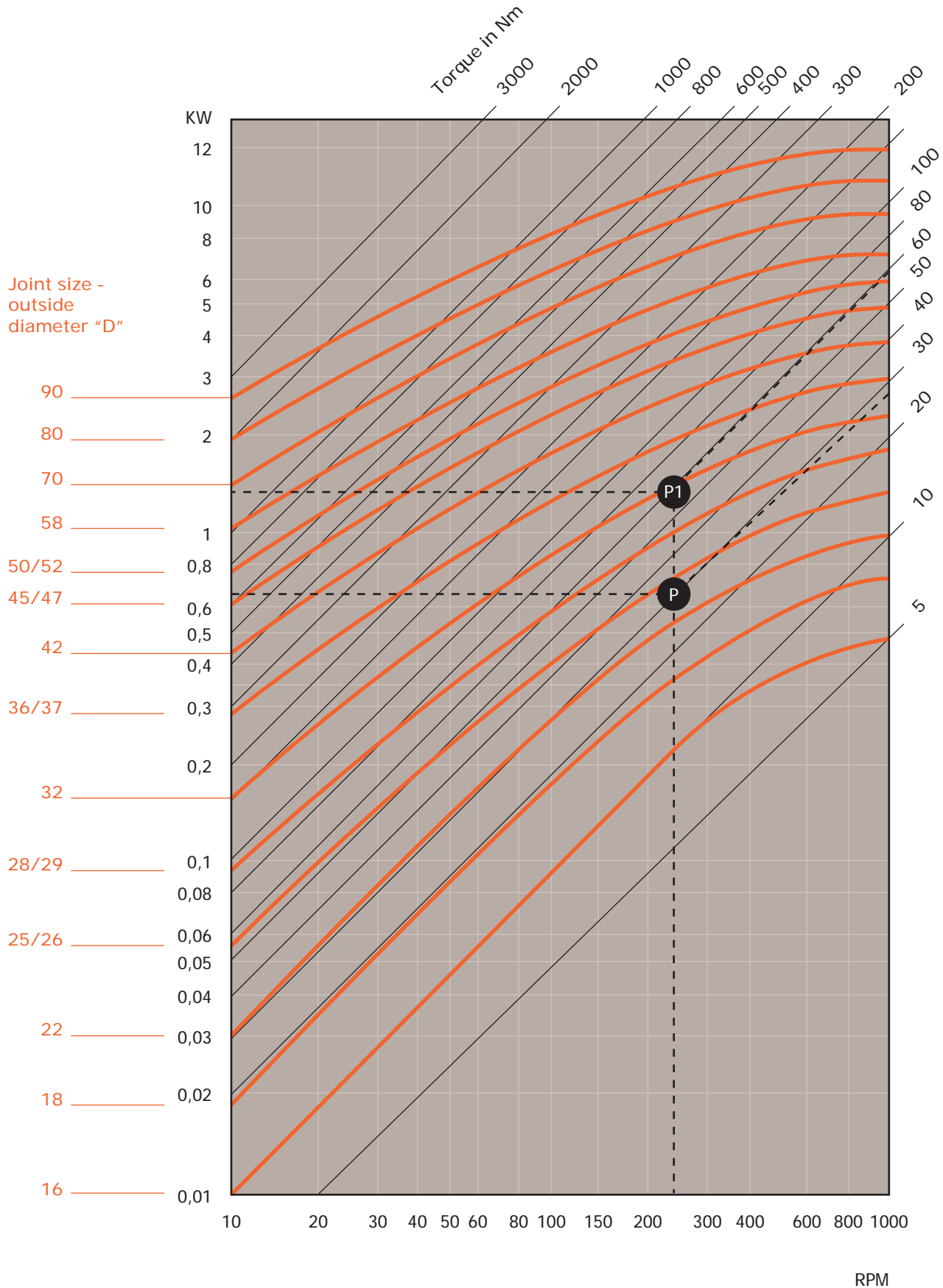
$$\text{Torque in Nm} = 7020 \times \frac{\text{Power (HP)}}{\text{RPM}}$$

Note: 1 KW = 1,35 HP and HP = 0,736 KW

Note: 1 Kgm = 9,81 Nm and Nm = 0,102 Kgm



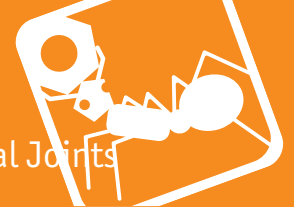
Plain Bearings Single & Double



UNIVERSAL JOINTS

ov-universal-joints-torque-ratings-b-rmh-Updated - 29-03-2023

*For double reduce Torque by 15%



Working angle a °	Correction value F
5°	1,25
10°	1,00
15°	0,90
20°	0,80
25°	0,70
30°	0,50
35°	0,40
40°	0,30
45°	0,25

Torque Calculation

Power: 0,55 KW, RPM: 2300

With working angle a 10° Value F = 1 we get point P. Torque = 23 Nm corresponding to joint size "D" = 28mm. = Type R3686.014

With working angle a 25° Value F = 0.70 (Kw 5,5: 0,70 = 7,85Kw) we get point P1 Torque = 33 Nm corresponding to joint size "D" = 32mm. = Type R3686.016

Consider that:

$$\text{Torque in Nm} = 9550 \times \frac{\text{Power (KW)}}{\text{RPM}}$$

$$\text{Torque in Nm} = 7020 \times \frac{\text{Power (HP)}}{\text{RPM}}$$

Note: 1 KW = 1,35 HP and HP = 0,736 KW

Note: 1 Kgm = 9,81 Nm and 1Nm = 0,102 Kgm

Factor in a safety factor for shock load, recipricating methods, start up shocks etc.

Universal Joints from Automation Components

UNIVERSAL JOINTS