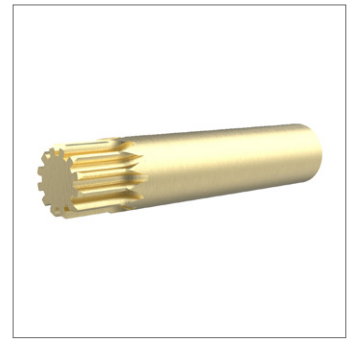
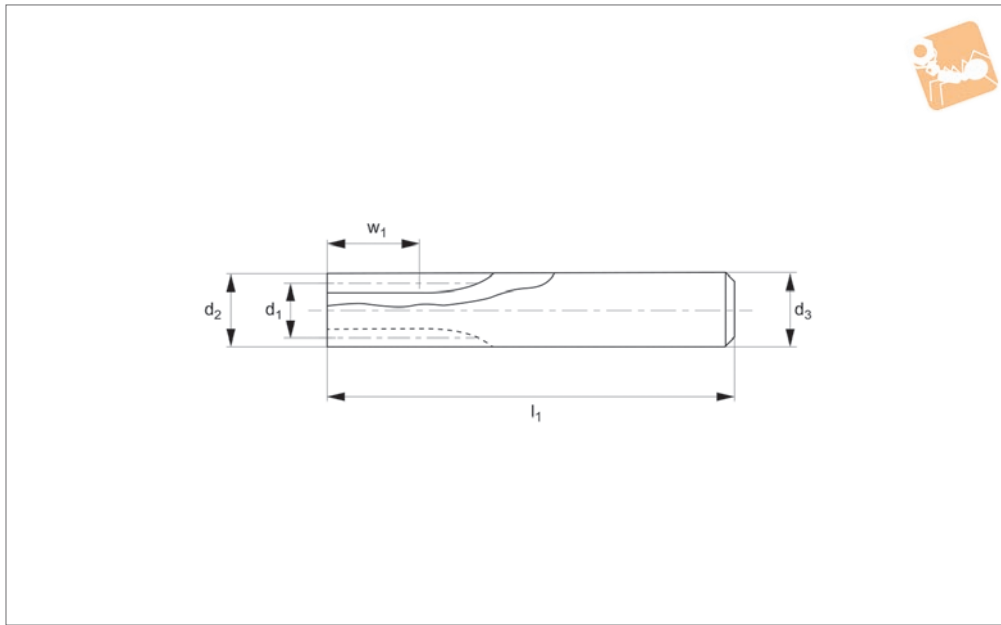




# Spur Gears - Module 0.75 - Brass

brass - 10-12 teeth



**R5130**

STANDARD SPUR GEARS

**Material**

Brass (C3604B). Accuracy to JIS B 1702-1 (ISO) class 9.

**Technical Notes**

20° pressure angle, full depth tooth.  
Amount of backlash when assembling

gears = 0,015 - 0,045mm.

**Tips**

For module 0.75 brass gears with 14-48 teeth, see R5132 & R5133; for 50-120 teeth, see R5135 & R5136.  
Max. allowable torque (Nm) is based on

standard operating conditions (see technical pages) with a safety factor of 1.2. For non standard applications apply a suitable safety factor depending on frequency of use, type of working etc.

Order No.	Module	No. of teeth z	Pitch dia. d <sub>1</sub>	d <sub>2</sub>	w <sub>1</sub>	d <sub>3</sub> tol. H8	l <sub>1</sub>	Torque Nm max.	Weight g
R5130.075-010	m 0.75	10	7.5	9.0	8	9	55	0.21	28.4
R5130.075-012	m 0.75	12	9.0	10.5	8	11	55	0.29	42.3