

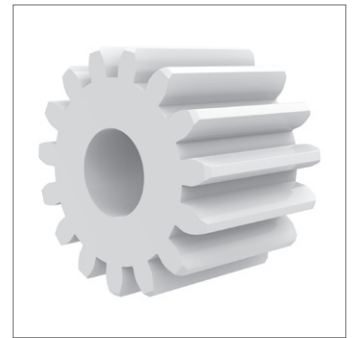
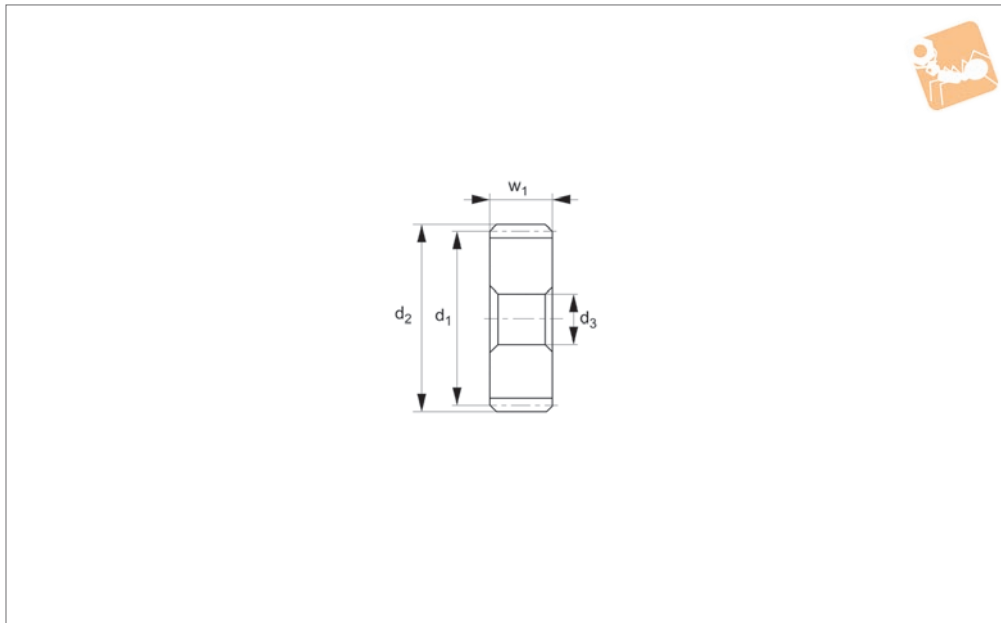


Spur Gears - Module 1 - Plastic

white polyacetal - 12-16 teeth



Standard Spur Gears



R5167

STANDARD SPUR GEARS

Material

White polyacetal, machined.
Accuracy to JIS B 1702-1 (ISO) class 9-10.

Technical Notes

20° pressure angle, full depth tooth.

Amount of backlash when assembling gears = 0,06 - 0,12mm.

Tips

Module 1 for gears with 17-120 teeth see R5169. Max. allowable torque (Nm) is

based on standard operating conditions (see technical pages) with a safety factor of 1.2. For non standard applications apply a suitable safety factor depending on frequency of use, type of working etc.

Order No.	Module	No. of teeth z	Pitch dia. d ₁	d ₂	w ₁	d ₃ tol. H9	Torque Nm max.	Weight g
R5167.100-012	m 1	12	12	14	12	6	0.84	1.4
R5167.100-014	m 1	14	14	16	12	6	0.98	2.1
R5167.100-015	m 1	15	15	17	12	6	1.05	2.5
R5167.100-016	m 1	16	16	18	12	6	1.12	2.9