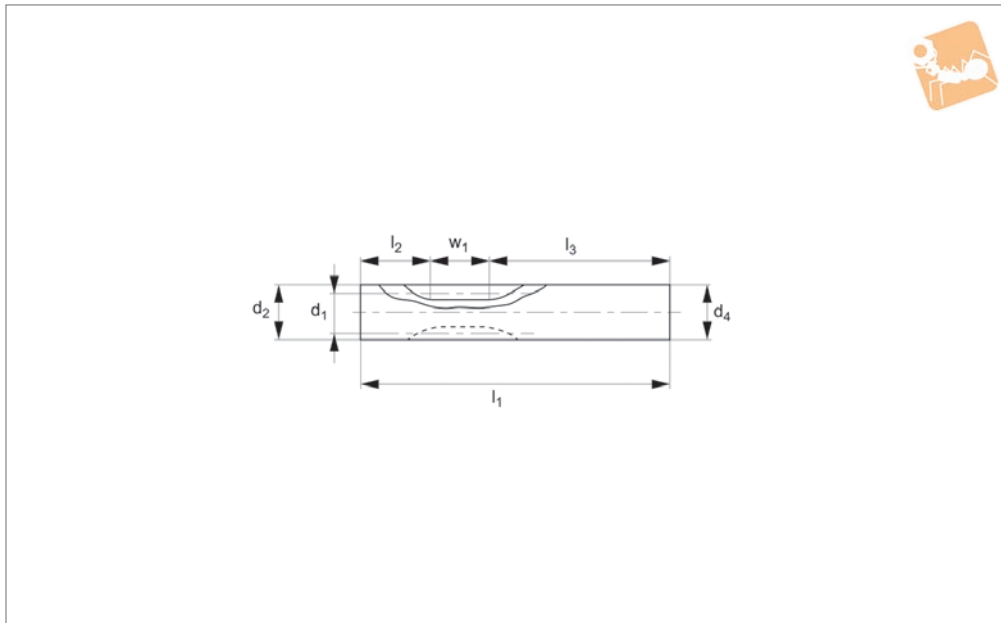




# Spur Gears - Module 1

carbon steel - 8-10 teeth



**R5175**

STANDARD SPUR GEARS

**Material**

Carbon steel (ISO C45).  
Accuracy to JIS B 1702-1 (ISO) class 8-9.

**Technical Notes**

20° pressure angle, full depth tooth.  
Amount of backlash when assembling

gears = 0,04 - 0,10mm.

**Tips**

Module 1 for gears with 14-120 teeth see R5173 & R5179, for gears with 8-10 see R5176, for gears with 12-18 see R5177.  
Max. allowable torque (Nm) is based on

standard operating conditions (see technical pages) with a safety factor of 1.2. For non standard applications apply a suitable safety factor depending on frequency of use, type of working etc.

Order No.	Module	No. of teeth z	Pitch dia. d <sub>1</sub>	d <sub>2</sub>	w <sub>1</sub>	d <sub>3</sub> tol. H7	l <sub>1</sub>	l <sub>2</sub>	l <sub>3</sub>	Torque Nm max.	Weight g
R5175.100-08	m 1	8	Shifted gear *	10.64	12	10.6	60	16	32	3.07	39.5
R5175.100-10	m 1	10	Shifted gear *	12.66	12	12.66	60	16	32	4.23	56.4