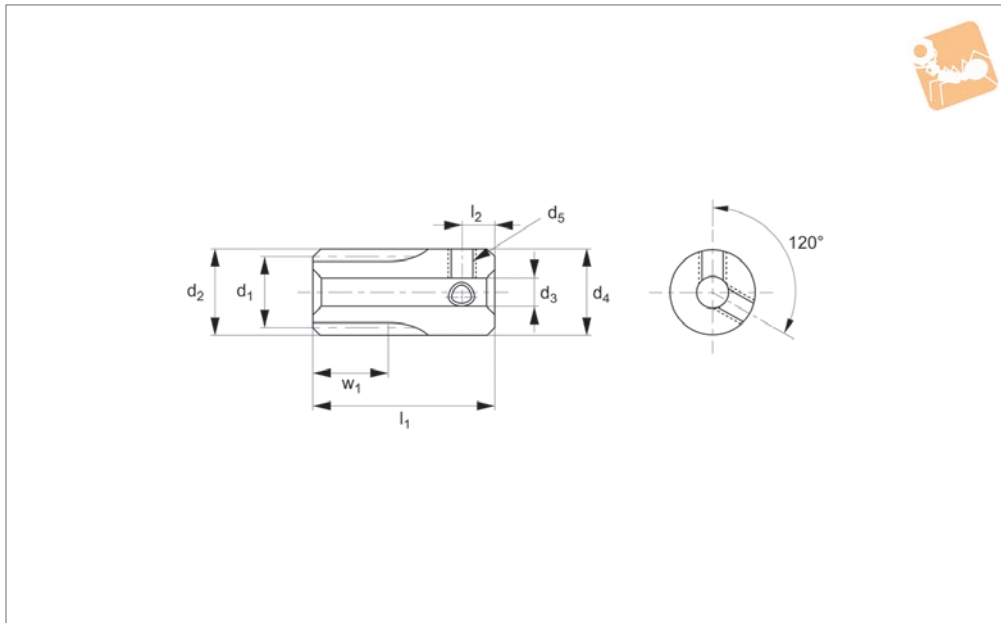




Spur Gears - Module 1

carbon steel - 12-18 teeth



R5177

STANDARD SPUR GEARS

Material

Carbon steel (ISO C45).
Accuracy to JIS B 1702-1 (ISO) class 8- 9.

Technical Notes

20° pressure angle, full depth tooth.
Amount of backlash when assembling

gears = 0,04 - 0,10mm.

Tips

Module 1 for gears with 14-120 teeth see R5173 & R5179, for gears with 8-10 teeth see R5175 & R5176.
Max. allowable torque (Nm) is based on

standard operating conditions (see technical pages) with a safety factor of 1.2. For non standard applications apply a suitable safety factor depending on frequency of use, type of working etc.

Order No.	Module	No. of teeth z	Pitch dia. d ₁	d ₂	w ₁	d ₃ tol. H8	d ₄	l ₁	l ₂	Thread d ₅	Torque Nm max.	Weight g
R5177.100-012-12	m 1	12	12	14	12	6	14	30	5	2xM 4	3.89	25.1
R5177.100-013-12	m 1	13	13	15	12	6	15	30	5	2xM 4	4.47	30.1
R5177.100-014-08	m 1	14	14	16	8	6	16	25	4	2xM 4	3.38	30.1
R5177.100-014-12	m 1	14	14	16	12	6	16	30	5	2xM 5	5.07	35.0
R5177.100-015-08	m 1	15	15	17	8	6	17	25	4	2xM 4	3.79	35.0
R5177.100-015-12	m 1	15	15	17	12	6	17	30	5	2xM 5	5.10	40.7
R5177.100-016-06	m 1	16	16	18	8	6	18	25	4	2xM 4	4.21	40.0
R5177.100-016-08	m 1	16	16	18	8	8	18	25	4	2xM 4	4.21	35.9
R5177.100-016-12	m 1	16	16	18	12	8	18	30	5	2xM 5	6.31	41.8
R5177.100-017-08	m 1	17	17	19	8	8	19	25	4	2xM 4	4.63	41.3
R5177.100-017-12	m 1	17	17	19	12	8	19	30	5	2xM 5	6.94	48.2
R5177.100-018-08	m 1	18	18	20	8	8	20	25	4	2xM 4	5.06	47.1
R5177.100-018-12	m 1	18	18	20	12	8	20	30	4	2xM 4	7.58	55.6