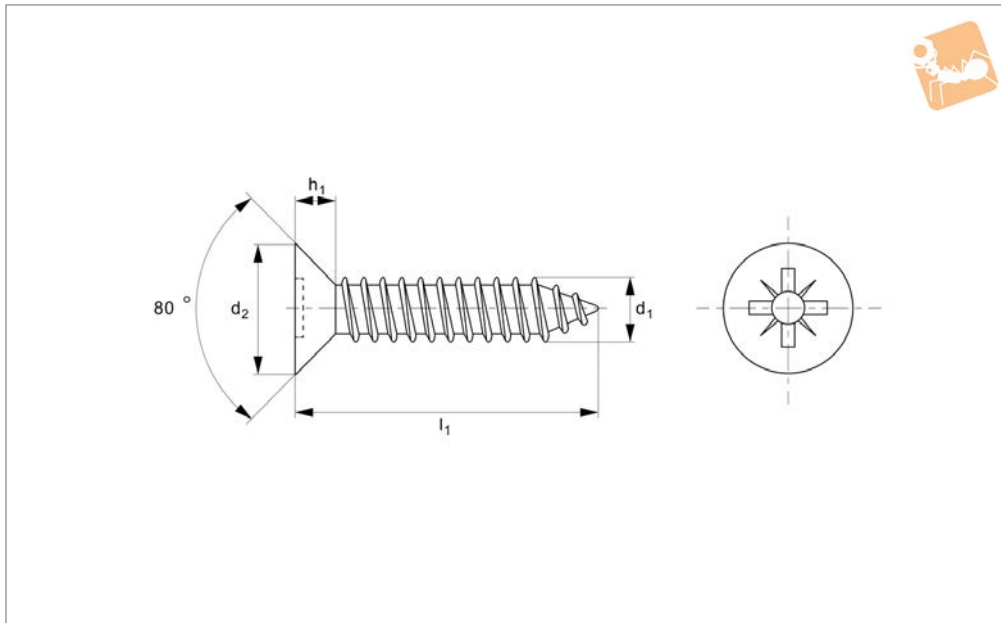




Countersunk Pozi AB Tappers

Pozi - steel, zinc-plated



P0600.ZP

SELF TAPPERS

Material

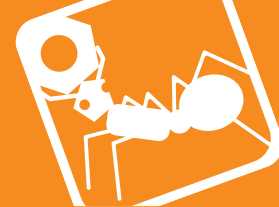
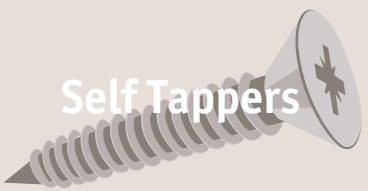
Steel, zinc-plated.
Also available as zinc-plated, black passi-

vated.

Technical Notes

To DIN 7982C-Z, ISO 7050 type C.

Order No.	d ₁	l ₁	d ₂	h ₁	Size
P0600.022-006-ZP	2.2	6.5	4.3	1.3	PZ-1
P0600.022-009-ZP	2.2	9.5	4.3	1.3	PZ-1
P0600.022-013-ZP	2.2	13	4.3	1.3	PZ-1
P0600.022-016-ZP	2.2	16	4.3	1.3	PZ-1
P0600.022-019-ZP	2.2	19	4.3	1.3	PZ-1
P0600.022-022-ZP	2.2	22	4.3	1.3	PZ-1
P0600.022-025-ZP	2.2	25	4.3	1.3	PZ-1
P0600.029-006-ZP	2.9	6.5	5.5	1.7	PZ-1
P0600.029-009-ZP	2.9	9.5	5.5	1.7	PZ-1
P0600.029-013-ZP	2.9	13	5.5	1.7	PZ-1
P0600.029-016-ZP	2.9	16	5.5	1.7	PZ-1
P0600.029-019-ZP	2.9	19	5.5	1.7	PZ-1
P0600.029-022-ZP	2.9	22	5.5	1.7	PZ-1
P0600.029-025-ZP	2.9	25	5.5	1.7	PZ-1
P0600.029-032-ZP	2.9	32	5.5	1.7	PZ-1
P0600.029-038-ZP	2.9	38	5.5	1.7	PZ-1
P0600.035-006-ZP	3.5	6.5	6.8	2.1	PZ-2
P0600.035-009-ZP	3.5	9.5	6.8	2.1	PZ-2
P0600.035-013-ZP	3.5	13	6.8	2.1	PZ-2
P0600.035-016-ZP	3.5	16	6.8	2.1	PZ-2
P0600.035-019-ZP	3.5	19	6.8	2.1	PZ-2
P0600.035-022-ZP	3.5	22	6.8	2.1	PZ-2
P0600.035-025-ZP	3.5	25	6.8	2.1	PZ-2
P0600.035-032-ZP	3.5	32	6.8	2.1	PZ-2
P0600.035-038-ZP	3.5	38	6.8	2.1	PZ-2
P0600.035-045-ZP	3.5	45	6.8	2.1	PZ-2
P0600.035-050-ZP	3.5	50	6.8	2.1	PZ-2
P0600.035-060-ZP	3.5	60	6.8	2.1	PZ-2
P0600.039-006-ZP	3.9	6.5	7.5	2.3	PZ-2
P0600.039-009-ZP	3.9	9.5	7.5	2.3	PZ-2
P0600.039-013-ZP	3.9	13	7.5	2.3	PZ-2
P0600.039-016-ZP	3.9	16	7.5	2.3	PZ-2
P0600.039-019-ZP	3.9	19	7.5	2.3	PZ-2
P0600.039-022-ZP	3.9	22	7.5	2.3	PZ-2
P0600.039-025-ZP	3.9	25	7.5	2.3	PZ-2



SELF TAPPERS

Order No.	d ₁	l ₁	d ₂	h ₁	Size
P0600.039-032-ZP	3.9	32	7.5	2.3	PZ-2
P0600.039-038-ZP	3.9	38	7.5	2.3	PZ-2
P0600.039-045-ZP	3.9	45	7.5	2.3	PZ-2
P0600.039-050-ZP	3.9	50	7.5	2.3	PZ-2
P0600.039-060-ZP	3.9	60	7.5	2.3	PZ-2
P0600.039-070-ZP	3.9	70	7.5	2.3	PZ-2
P0600.039-080-ZP	3.9	80	7.5	2.3	PZ-2
P0600.042-009-ZP	4.2	9.5	8.1	2.5	PZ-2
P0600.042-013-ZP	4.2	13	8.1	2.5	PZ-2
P0600.042-016-ZP	4.2	16	8.1	2.5	PZ-2
P0600.042-019-ZP	4.2	19	8.1	2.5	PZ-2
P0600.042-022-ZP	4.2	22	8.1	2.5	PZ-2
P0600.042-025-ZP	4.2	25	8.1	2.5	PZ-2
P0600.042-032-ZP	4.2	32	8.1	2.5	PZ-2
P0600.042-038-ZP	4.2	38	8.1	2.5	PZ-2
P0600.042-045-ZP	4.2	45	8.1	2.5	PZ-2
P0600.042-050-ZP	4.2	50	8.1	2.5	PZ-2
P0600.042-060-ZP	4.2	60	8.1	2.5	PZ-2
P0600.042-070-ZP	4.2	70	8.1	2.5	PZ-2
P0600.042-080-ZP	4.2	80	8.1	2.5	PZ-2
P0600.048-009-ZP	4.8	9.5	9.5	3.0	PZ-2
P0600.048-013-ZP	4.8	13	9.5	3.0	PZ-2
P0600.048-016-ZP	4.8	16	9.5	3.0	PZ-2
P0600.048-019-ZP	4.8	19	9.5	3.0	PZ-2
P0600.048-022-ZP	4.8	22	9.5	3.0	PZ-2
P0600.048-025-ZP	4.8	25	9.5	3.0	PZ-2
P0600.048-032-ZP	4.8	32	9.5	3.0	PZ-2
P0600.048-038-ZP	4.8	38	9.5	3.0	PZ-2
P0600.048-045-ZP	4.8	45	9.5	3.0	PZ-2
P0600.048-050-ZP	4.8	50	9.5	3.0	PZ-2
P0600.048-060-ZP	4.8	60	9.5	3.0	PZ-2
P0600.048-070-ZP	4.8	70	9.5	3.0	PZ-2
P0600.048-080-ZP	4.8	80	9.5	3.0	PZ-2
P0600.048-090-ZP	4.8	90	9.5	3.0	PZ-2
P0600.048-100-ZP	4.8	100	9.5	3.0	PZ-2
P0600.055-013-ZP	5.5	13	10.8	3.4	PZ-3
P0600.055-016-ZP	5.5	16	10.8	3.4	PZ-3
P0600.055-019-ZP	5.5	19	10.8	3.4	PZ-3
P0600.055-022-ZP	5.5	22	10.8	3.4	PZ-3
P0600.055-025-ZP	5.5	25	10.8	3.4	PZ-3
P0600.055-032-ZP	5.5	32	10.8	3.4	PZ-3
P0600.055-038-ZP	5.5	38	10.8	3.4	PZ-3
P0600.055-045-ZP	5.5	45	10.8	3.4	PZ-3
P0600.055-050-ZP	5.5	50	10.8	3.4	PZ-3
P0600.055-060-ZP	5.5	60	10.8	3.4	PZ-3
P0600.055-070-ZP	5.5	70	10.8	3.4	PZ-3
P0600.055-080-ZP	5.5	80	10.8	3.4	PZ-3
P0600.055-900-ZP	5.5	90	10.8	3.4	PZ-3
P0600.055-100-ZP	5.5	100	10.8	3.4	PZ-3
P0600.063-013-ZP	6.3	13	12.4	3.8	PZ-3
P0600.063-016-ZP	6.3	16	12.4	3.8	PZ-3
P0600.063-019-ZP	6.3	19	12.4	3.8	PZ-3
P0600.063-022-ZP	6.3	22	12.4	3.8	PZ-3
P0600.063-025-ZP	6.3	25	12.4	3.8	PZ-3
P0600.063-032-ZP	6.3	32	12.4	3.8	PZ-3
P0600.063-038-ZP	6.3	38	12.4	3.8	PZ-3
P0600.063-045-ZP	6.3	45	12.4	3.8	PZ-3
P0600.063-050-ZP	6.3	50	12.4	3.8	PZ-3
P0600.063-060-ZP	6.3	60	12.4	3.8	PZ-3
P0600.063-070-ZP	6.3	70	12.4	3.8	PZ-3
P0600.063-080-ZP	6.3	80	12.4	3.8	PZ-3
P0600.063-090-ZP	6.3	90	12.4	3.8	PZ-3
P0600.063-100-ZP	6.3	100	12.4	3.8	PZ-3

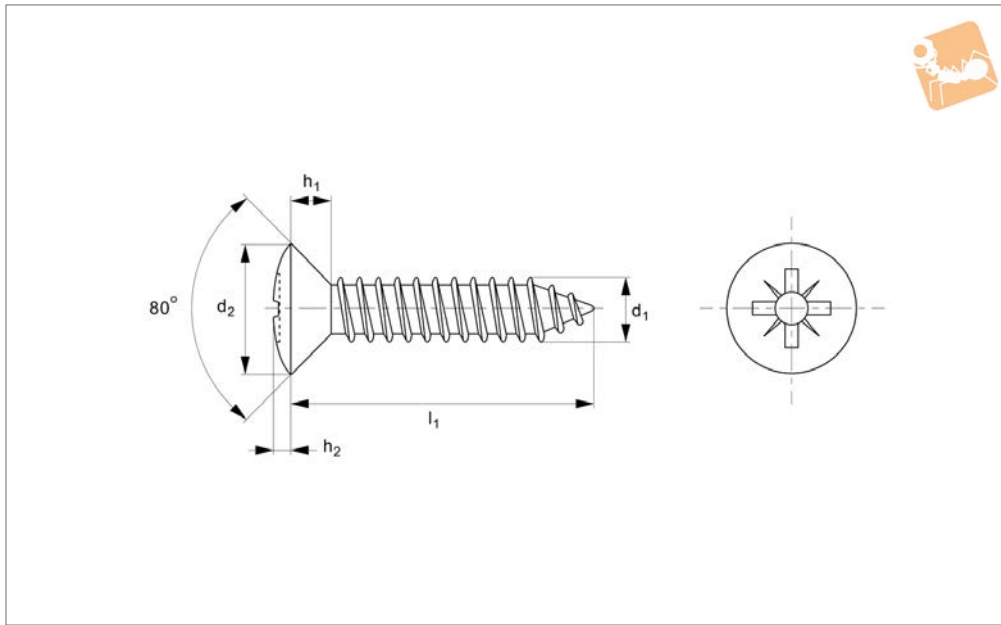


Raised C'sk Pozi AB Tappers

Raised pozi - steel, zinc-plated



Self Tappers



P0601.ZP

SELF TAPPERS

Material

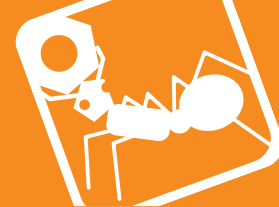
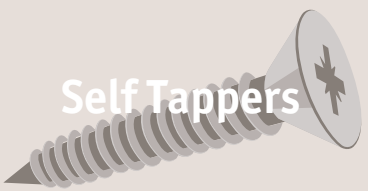
Steel, zinc-plated.
Also available as zinc-plated, black passi-

vated.

Technical Notes

To DIN 7983C-Z, ISO 7051 type C.

Order No.	d ₁	l ₁	d ₂	h ₁	h ₂	Size
P0601.022-006-ZP	2.2	6.5	4.3	1.3	0.7	PZ-1
P0601.022-009-ZP	2.2	9.5	4.3	1.3	0.7	PZ-1
P0601.022-013-ZP	2.2	13	4.3	1.3	0.7	PZ-1
P0601.022-016-ZP	2.2	16	4.3	1.3	0.7	PZ-1
P0601.022-019-ZP	2.2	19	4.3	1.3	0.7	PZ-1
P0601.022-022-ZP	2.2	22	4.3	1.3	0.7	PZ-1
P0601.022-025-ZP	2.2	25	4.3	1.3	0.7	PZ-1
P0601.022-032-ZP	2.2	32	4.3	1.3	0.7	PZ-1
P0601.029-006-ZP	2.9	6.5	5.5	1.7	0.9	PZ-1
P0601.029-009-ZP	2.9	9.5	5.5	1.7	0.9	PZ-1
P0601.029-013-ZP	2.9	13	5.5	1.7	0.9	PZ-1
P0601.029-016-ZP	2.9	16	5.5	1.7	0.9	PZ-1
P0601.029-019-ZP	2.9	19	5.5	1.7	0.9	PZ-1
P0601.029-022-ZP	2.9	22	5.5	1.7	0.9	PZ-1
P0601.029-025-ZP	2.9	25	5.5	1.7	0.9	PZ-1
P0601.029-032-ZP	2.9	32	5.5	1.7	0.9	PZ-1
P0601.029-038-ZP	2.9	38	5.5	1.7	0.9	PZ-1
P0601.035-006-ZP	3.5	6.5	6.8	2.1	1.2	PZ-2
P0601.035-009-ZP	3.5	9.5	6.8	2.1	1.2	PZ-2
P0601.035-013-ZP	3.5	13	6.8	2.1	1.2	PZ-2
P0601.035-016-ZP	3.5	16	6.8	2.1	1.2	PZ-2
P0601.035-019-ZP	3.5	19	6.8	2.1	1.2	PZ-2
P0601.035-022-ZP	3.5	22	6.8	2.1	1.2	PZ-2
P0601.035-025-ZP	3.5	25	6.8	2.1	1.2	PZ-2
P0601.035-032-ZP	3.5	32	6.8	2.1	1.2	PZ-2
P0601.035-038-ZP	3.5	38	6.8	2.1	1.2	PZ-2
P0601.035-045-ZP	3.5	45	6.8	2.1	1.2	PZ-2
P0601.035-050-ZP	3.5	50	6.8	2.1	1.2	PZ-2
P0601.039-006-ZP	3.9	6.5	7.5	2.3	1.3	PZ-2
P0601.039-009-ZP	3.9	9.5	7.5	2.3	1.3	PZ-2
P0601.039-013-ZP	3.9	13	7.5	2.3	1.3	PZ-2
P0601.039-016-ZP	3.9	16	7.5	2.3	1.3	PZ-2
P0601.039-019-ZP	3.9	19	7.5	2.3	1.3	PZ-2
P0601.039-022-ZP	3.9	22	7.5	2.3	1.3	PZ-2
P0601.039-025-ZP	3.9	25	7.5	2.3	1.3	PZ-2



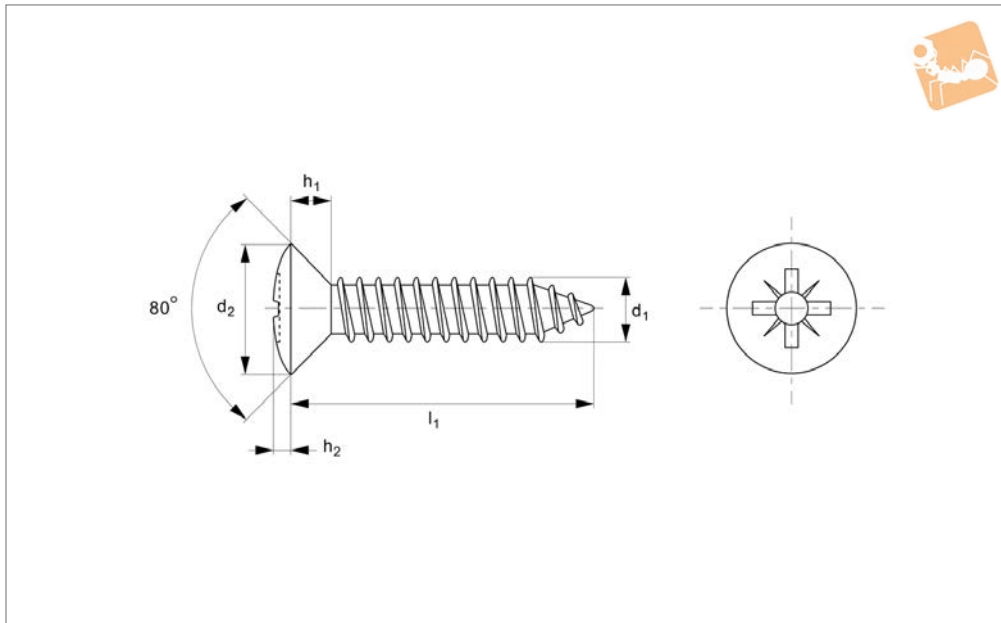
Order No.	d ₁	l ₁	d ₂	h ₁	h ₂	Size
P0601.039-032-ZP	3.9	32	7.5	2.3	1.3	PZ-2
P0601.039-038-ZP	3.9	38	7.5	2.3	1.3	PZ-2
P0601.039-045-ZP	3.9	45	7.5	2.3	1.3	PZ-2
P0601.039-050-ZP	3.9	50	7.5	2.3	1.3	PZ-2
P0601.039-060-ZP	3.9	60	7.5	2.3	1.3	PZ-2
P0601.039-070-ZP	3.9	70	7.5	2.3	1.3	PZ-2
P0601.042-009-ZP	4.2	9.5	8.1	2.5	1.4	PZ-2
P0601.042-013-ZP	4.2	13	8.1	2.5	1.4	PZ-2
P0601.042-016-ZP	4.2	16	8.1	2.5	1.4	PZ-2
P0601.042-019-ZP	4.2	19	8.1	2.5	1.4	PZ-2
P0601.042-022-ZP	4.2	22	8.1	2.5	1.4	PZ-2
P0601.042-025-ZP	4.2	25	8.1	2.5	1.4	PZ-2
P0601.042-032-ZP	4.2	32	8.1	2.5	1.4	PZ-2
P0601.042-038-ZP	4.2	38	8.1	2.5	1.4	PZ-2
P0601.042-045-ZP	4.2	45	8.1	2.5	1.4	PZ-2
P0601.042-050-ZP	4.2	50	8.1	2.5	1.4	PZ-2
P0601.042-060-ZP	4.2	60	8.1	2.5	1.4	PZ-2
P0601.042-070-ZP	4.2	70	8.1	2.5	1.4	PZ-2
P0601.042-080-ZP	4.2	80	8.1	2.5	1.4	PZ-2
P0601.048-009-ZP	4.8	9.5	9.5	3.0	1.5	PZ-2
P0601.048-013-ZP	4.8	13	9.5	3.0	1.5	PZ-2
P0601.048-016-ZP	4.8	16	9.5	3.0	1.5	PZ-2
P0601.048-019-ZP	4.8	19	9.5	3.0	1.5	PZ-2
P0601.048-022-ZP	4.8	22	9.5	3.0	1.5	PZ-2
P0601.048-025-ZP	4.8	25	9.5	3.0	1.5	PZ-2
P0601.048-032-ZP	4.8	32	9.5	3.0	1.5	PZ-2
P0601.048-038-ZP	4.8	38	9.5	3.0	1.5	PZ-2
P0601.048-045-ZP	4.8	45	9.5	3.0	1.5	PZ-2
P0601.048-050-ZP	4.8	50	9.5	3.0	1.5	PZ-2
P0601.048-060-ZP	4.8	60	9.5	3.0	1.5	PZ-2
P0601.048-070-ZP	4.8	70	9.5	3.0	1.5	PZ-2
P0601.048-080-ZP	4.8	80	9.5	3.0	1.5	PZ-2
P0601.048-090-ZP	4.8	90	9.5	3.0	1.5	PZ-2
P0601.048-100-ZP	4.8	100	9.5	3.0	1.5	PZ-2
P0601.055-009-ZP	5.5	9.5	10.8	3.4	1.7	PZ-3
P0601.055-013-ZP	5.5	13	10.8	3.4	1.7	PZ-3
P0601.055-016-ZP	5.5	16	10.8	3.4	1.7	PZ-3
P0601.055-019-ZP	5.5	19	10.8	3.4	1.7	PZ-3
P0601.055-022-ZP	5.5	22	10.8	3.4	1.7	PZ-3
P0601.055-025-ZP	5.5	25	10.8	3.4	1.7	PZ-3
P0601.055-032-ZP	5.5	32	10.8	3.4	1.7	PZ-3
P0601.055-038-ZP	5.5	38	10.8	3.4	1.7	PZ-3
P0601.055-045-ZP	5.5	45	10.8	3.4	1.7	PZ-3
P0601.055-050-ZP	5.5	50	10.8	3.4	1.7	PZ-3
P0601.055-060-ZP	5.5	60	10.8	3.4	1.7	PZ-3
P0601.055-070-ZP	5.5	70	10.8	3.4	1.7	PZ-3
P0601.055-080-ZP	5.5	80	10.8	3.4	1.7	PZ-3
P0601.055-090-ZP	5.5	90	10.8	3.4	1.7	PZ-3
P0601.055-100-ZP	5.5	100	10.8	3.4	1.7	PZ-3
P0601.063-013-ZP	6.3	13	12.4	3.8	2.0	PZ-3
P0601.063-016-ZP	6.3	16	12.4	3.8	2.0	PZ-3
P0601.063-019-ZP	6.3	19	12.4	3.8	2.0	PZ-3
P0601.063-022-ZP	6.3	22	12.4	3.8	2.0	PZ-3
P0601.063-025-ZP	6.3	25	12.4	3.8	2.0	PZ-3
P0601.063-032-ZP	6.3	32	12.4	3.8	2.0	PZ-3
P0601.063-038-ZP	6.3	38	12.4	3.8	2.0	PZ-3
P0601.063-045-ZP	6.3	45	12.4	3.8	2.0	PZ-3
P0601.063-050-ZP	6.3	50	12.4	3.8	2.0	PZ-3
P0601.063-060-ZP	6.3	60	12.4	3.8	2.0	PZ-3
P0601.063-070-ZP	6.3	70	12.4	3.8	2.0	PZ-3
P0601.063-080-ZP	6.3	80	12.4	3.8	2.0	PZ-3
P0601.063-090-ZP	6.3	90	12.4	3.8	2.0	PZ-3
P0601.063-100-ZP	6.3	100	12.4	3.8	2.0	PZ-3



Stainless Raised C'sk Pozi AB Tappers

Raised pozi - A2 stainless

Self Tappers



P0601.A2

SELF TAPPERS

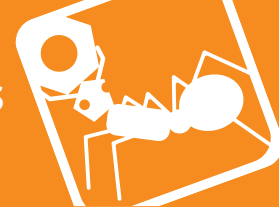
Material

Stainless steel (A2, AISI 303).

Technical Notes

To DIN 7983C-Z, ISO 7051 type C.

Order No.	d ₁	l ₁	d ₂	h ₁	h ₂	Size
P0601.022-006-A2	2.2	6.5	4.3	1.3	0.7	PZ-1
P0601.022-009-A2	2.2	9.5	4.3	1.3	0.7	PZ-1
P0601.022-013-A2	2.2	13	4.3	1.3	0.7	PZ-1
P0601.022-016-A2	2.2	16	4.3	1.3	0.7	PZ-1
P0601.022-019-A2	2.2	19	4.3	1.3	0.7	PZ-1
P0601.022-022-A2	2.2	22	4.3	1.3	0.7	PZ-1
P0601.022-025-A2	2.2	5	4.3	1.3	0.7	PZ-1
P0601.022-032-A2	2.2	32	4.3	1.3	0.7	PZ-1
P0601.029-006-A2	2.9	6.5	5.5	1.7	0.9	PZ-1
P0601.029-009-A2	2.9	9.5	5.5	1.7	0.9	PZ-1
P0601.029-013-A2	2.9	13	5.5	1.7	0.9	PZ-1
P0601.029-016-A2	2.9	6	5.5	1.7	0.9	PZ-1
P0601.029-019-A2	2.9	9	5.5	1.7	0.9	PZ-1
P0601.029-022-A2	2.9	22	5.5	1.7	0.9	PZ-1
P0601.029-025-A2	2.9	25	5.5	1.7	0.9	PZ-1
P0601.029-032-A2	2.9	32	5.5	1.7	0.9	PZ-1
P0601.029-038-A2	2.9	38	5.5	1.7	0.9	PZ-1
P0601.035-006-A2	3.5	6.5	6.8	2.1	1.2	PZ-2
P0601.035-009-A2	3.5	9.5	6.8	2.1	1.2	PZ-2
P0601.035-013-A2	3.5	13	6.8	2.1	1.2	PZ-2
P0601.035-016-A2	3.5	16	6.8	2.1	1.2	PZ-2
P0601.035-019-A2	3.5	19	6.8	2.1	1.2	PZ-2
P0601.035-022-A2	3.5	22	6.8	2.1	1.2	PZ-2
P0601.035-025-A2	3.5	25	6.8	2.1	1.2	PZ-2
P0601.035-032-A2	3.5	32	6.8	2.1	1.2	PZ-2
P0601.035-038-A2	3.5	38	6.8	2.1	1.2	PZ-2
P0601.035-045-A2	3.5	45	6.8	2.1	1.2	PZ-2
P0601.035-050-A2	3.5	50	6.8	2.1	1.2	PZ-2
P0601.039-006-A2	3.9	6.5	7.5	2.3	1.3	PZ-2
P0601.039-009-A2	3.9	9.5	7.5	2.3	1.3	PZ-2
P0601.039-013-A2	3.9	13	7.5	2.3	1.3	PZ-2
P0601.039-016-A2	3.9	16	7.5	2.3	1.3	PZ-2
P0601.039-019-A2	3.9	19	7.5	2.3	1.3	PZ-2
P0601.039-022-A2	3.9	22	7.5	2.3	1.3	PZ-2
P0601.039-025-A2	3.9	25	7.5	2.3	1.3	PZ-2

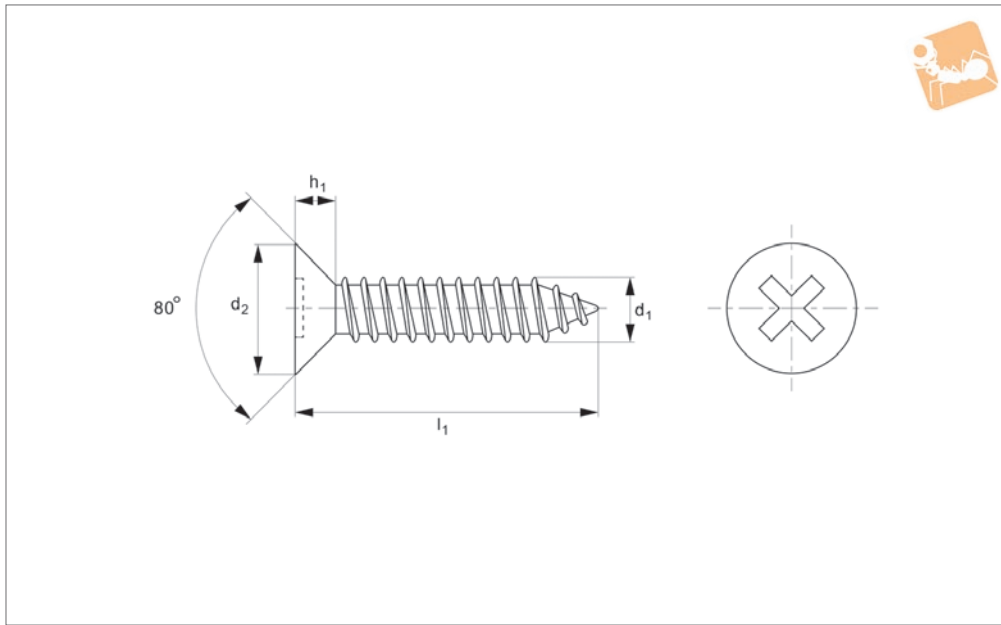


Order No.	d ₁	l ₁	d ₂	h ₁	h ₂	Size
P0601.039-032-A2	3.9	32	7.5	2.3	1.3	PZ-2
P0601.039-038-A2	3.9	38	7.5	2.3	1.3	PZ-2
P0601.039-045-A2	3.9	45	7.5	2.3	1.3	PZ-2
P0601.039-050-A2	3.9	50	7.5	2.3	1.3	PZ-2
P0601.039-060-A2	3.9	60	7.5	2.3	1.3	PZ-2
P0601.039-070-A2	3.9	70	7.5	2.3	1.3	PZ-2
P0601.042-009-A2	4.2	9.5	8.1	2.5	1.4	PZ-2
P0601.042-013-A2	4.2	13	8.1	2.5	1.4	PZ-2
P0601.042-016-A2	4.2	16	8.1	2.5	1.4	PZ-2
P0601.042-019-A2	4.2	19	8.1	2.5	1.4	PZ-2
P0601.042-022-A2	4.2	22	8.1	2.5	1.4	PZ-2
P0601.042-025-A2	4.2	25	8.1	2.5	1.4	PZ-2
P0601.042-032-A2	4.2	32	8.1	2.5	1.4	PZ-2
P0601.042-038-A2	4.2	38	8.1	2.5	1.4	PZ-2
P0601.042-045-A2	4.2	45	8.1	2.5	1.4	PZ-2
P0601.042-050-A2	4.2	50	8.1	2.5	1.4	PZ-2
P0601.042-060-A2	4.2	60	8.1	2.5	1.4	PZ-2
P0601.042-070-A2	4.2	70	8.1	2.5	1.4	PZ-2
P0601.042-080-A2	4.2	80	8.1	2.5	1.4	PZ-2
P0601.048-009-A2	4.8	9.5	9.5	3.0	1.5	PZ-2
P0601.048-013-A2	4.8	13	9.5	3.0	1.5	PZ-2
P0601.048-016-A2	4.8	16	9.5	3.0	1.5	PZ-2
P0601.048-019-A2	4.8	19	9.5	3.0	1.5	PZ-2
P0601.048-022-A2	4.8	22	9.5	3.0	1.5	PZ-2
P0601.048-025-A2	4.8	5	9.5	3.0	1.5	PZ-2
P0601.048-032-A2	4.8	32	9.5	3.0	1.5	PZ-2
P0601.048-038-A2	4.8	38	9.5	3.0	1.5	PZ-2
P0601.048-045-A2	4.8	45	9.5	3.0	1.5	PZ-2
P0601.048-050-A2	4.8	50	9.5	3.0	1.5	PZ-2
P0601.048-060-A2	4.8	60	9.5	3.0	1.5	PZ-2
P0601.048-070-A2	4.8	70	9.5	3.0	1.5	PZ-2
P0601.048-080-A2	4.8	80	9.5	3.0	1.5	PZ-2
P0601.048-090-A2	4.8	90	9.5	3.0	1.5	PZ-2
P0601.048-100-A2	4.8	100	9.5	3.0	1.5	PZ-2
P0601.055-009-A2	5.5	9.5	10.8	3.4	1.7	PZ-3
P0601.055-013-A2	5.5	13	10.8	3.4	1.7	PZ-3
P0601.055-016-A2	5.5	16	10.8	3.4	1.7	PZ-3
P0601.055-019-A2	5.5	19	10.8	3.4	1.7	PZ-3
P0601.055-022-A2	5.5	22	10.8	3.4	1.7	PZ-3
P0601.055-025-A2	5.5	25	10.8	3.4	1.7	PZ-3
P0601.055-032-A2	5.5	32	10.8	3.4	1.7	PZ-3
P0601.055-038-A2	5.5	38	10.8	3.4	1.7	PZ-3
P0601.055-045-A2	5.5	45	10.8	3.4	1.7	PZ-3
P0601.055-050-A2	5.5	50	10.8	3.4	1.7	PZ-3
P0601.055-060-A2	5.5	60	10.8	3.4	1.7	PZ-3
P0601.055-070-A2	5.5	70	10.8	3.4	1.7	PZ-3
P0601.055-080-A2	5.5	80	10.8	3.4	1.7	PZ-3
P0601.055-090-A2	5.5	90	10.8	3.4	1.7	PZ-3
P0601.055-100-A2	5.5	100	10.8	3.4	1.7	PZ-3
P0601.063-013-A2	6.3	13	12.4	3.8	2.0	PZ-3
P0601.063-016-A2	6.3	16	12.4	3.8	2.0	PZ-3
P0601.063-019-A2	6.3	19	12.4	3.8	2.0	PZ-3
P0601.063-022-A2	6.3	22	12.4	3.8	2.0	PZ-3
P0601.063-025-A2	6.3	25	12.4	3.8	2.0	PZ-3
P0601.063-032-A2	6.3	32	12.4	3.8	2.0	PZ-3
P0601.063-038-A2	6.3	38	12.4	3.8	2.0	PZ-3
P0601.063-045-A2	6.3	45	12.4	3.8	2.0	PZ-3
P0601.063-050-A2	6.3	50	12.4	3.8	2.0	PZ-3
P0601.063-060-A2	6.3	60	12.4	3.8	2.0	PZ-3
P0601.063-070-A2	6.3	70	12.4	3.8	2.0	PZ-3
P0601.063-080-A2	6.3	80	12.4	3.8	2.0	PZ-3
P0601.063-090-A2	6.3	90	12.4	3.8	2.0	PZ-3
P0601.063-100-A2	6.3	100	12.4	3.8	2.0	v



C'sunk Phillips AB Tappers

Phillips - steel, zinc-plated



P0604.ZP

SELF TAPPERS

Material

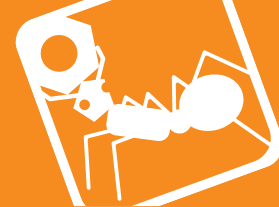
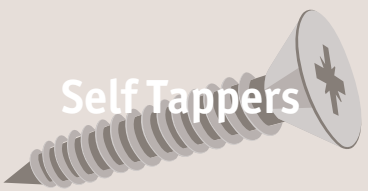
Steel, zinc-plated.
Also available as zinc-plated, black passi-

vated.

Technical Notes

To DIN 7982C-H, ISO 7050 type C.

Order No.	d ₁	l ₁	d ₂	h ₁	Size
P0604.022-006-ZP	2.2	6.5	4.3	1.3	PH-1
P0604.022-009-ZP	2.2	9.5	4.3	1.3	PH-1
P0604.022-013-ZP	2.2	13	4.3	1.3	PH-1
P0604.022-016-ZP	2.2	16	4.3	1.3	PH-1
P0604.022-019-ZP	2.2	19	4.3	1.3	PH-1
P0604.022-022-ZP	2.2	22	4.3	1.3	PH-1
P0604.022-025-ZP	2.2	25	4.3	1.3	PH-1
P0604.022-032-ZP	2.2	32	4.3	1.3	PH-1
P0604.029-006-ZP	2.9	6.5	5.5	1.7	PH-1
P0604.029-009-ZP	2.9	9.5	5.5	1.7	PH-1
P0604.029-013-ZP	2.9	13	5.5	1.7	PH-1
P0604.029-016-ZP	2.9	16	5.5	1.7	PH-1
P0604.029-019-ZP	2.9	19	5.5	1.7	PH-1
P0604.029-022-ZP	2.9	22	5.5	1.7	PH-1
P0604.029-025-ZP	2.9	25	5.5	1.7	PH-1
P0604.029-032-ZP	2.9	32	5.5	1.7	PH-1
P0604.029-038-ZP	2.9	38	5.5	1.7	PH-1
P0604.035-006-ZP	3.5	6.5	6.8	2.1	PH-2
P0604.035-009-ZP	3.5	9.5	6.8	2.1	PH-2
P0604.035-013-ZP	3.5	13	6.8	2.1	PH-2
P0604.035-016-ZP	3.5	16	6.8	2.1	PH-2
P0604.035-019-ZP	3.5	19	6.8	2.1	PH-2
P0604.035-022-ZP	3.5	22	6.8	2.1	PH-2
P0604.035-025-ZP	3.5	25	6.8	2.1	PH-2
P0604.035-032-ZP	3.5	32	6.8	2.1	PH-2
P0604.035-038-ZP	3.5	38	6.8	2.1	PH-2
P0604.035-045-ZP	3.5	45	6.8	2.1	PH-2
P0604.035-050-ZP	3.5	50	6.8	2.1	PH-2
P0604.035-060-ZP	3.5	60	6.8	2.1	PH-2
P0604.035-070-ZP	3.5	70	6.8	2.1	PH-2
P0604.039-006-ZP	3.9	6.5	7.5	2.3	PH-2
P0604.039-009-ZP	3.9	9.5	7.5	2.3	PH-2
P0604.039-013-ZP	3.9	13	7.5	2.3	PH-2
P0604.039-016-ZP	3.9	16	7.5	2.3	PH-2
P0604.039-019-ZP	3.9	19	7.5	2.3	PH-2



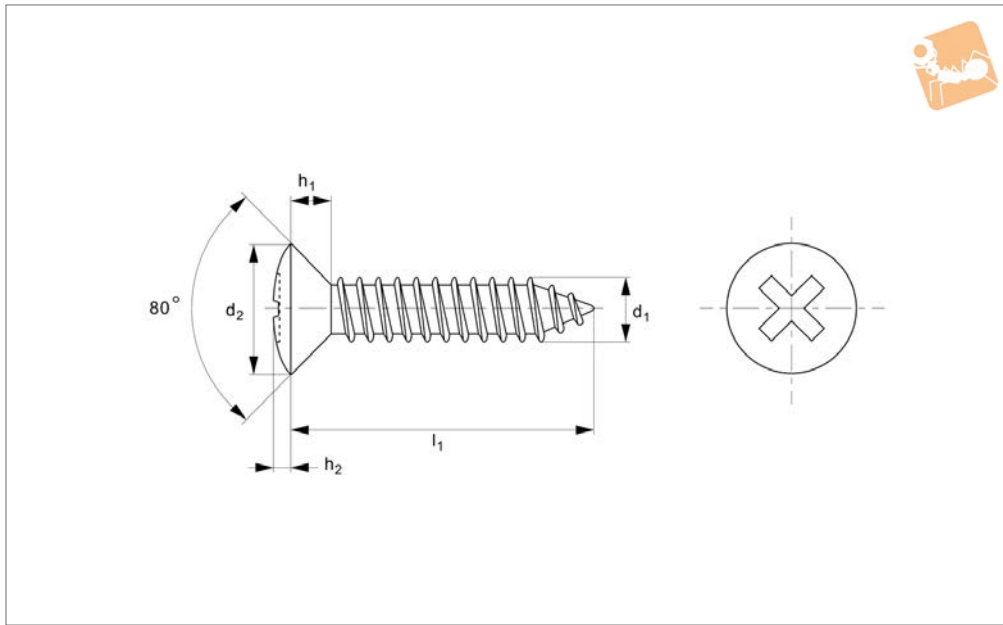
SELF TAPPERS

Order No.	d ₁	l ₁	d ₂	h ₁	Size
P0604.039-022-ZP	3.9	22	7.5	2.3	PH-2
P0604.039-025-ZP	3.9	25	7.5	2.3	PH-2
P0604.039-032-ZP	3.9	32	7.5	2.3	PH-2
P0604.039-038-ZP	3.9	38	7.5	2.3	PH-2
P0604.039-045-ZP	3.9	45	7.5	2.3	PH-2
P0604.039-050-ZP	3.9	50	7.5	2.3	PH-2
P0604.039-060-ZP	3.9	60	7.5	2.3	PH-2
P0604.039-070-ZP	3.9	70	7.5	2.3	PH-2
P0604.042-009-ZP	4.2	9.5	8.1	2.5	PH-2
P0604.042-013-ZP	4.2	13	8.1	2.5	PH-2
P0604.042-016-ZP	4.2	16	8.1	2.5	PH-2
P0604.042-019-ZP	4.2	19	8.1	2.5	PH-2
P0604.042-022-ZP	4.2	22	8.1	2.5	PH-2
P0604.042-025-ZP	4.2	25	8.1	2.5	PH-2
P0604.042-032-ZP	4.2	32	8.1	2.5	PH-2
P0604.042-038-ZP	4.2	38	8.1	2.5	PH-2
P0604.042-045-ZP	4.2	45	8.1	2.5	PH-2
P0604.042-050-ZP	4.2	50	8.1	2.5	PH-2
P0604.042-060-ZP	4.2	60	8.1	2.5	PH-2
P0604.042-070-ZP	4.2	70	8.1	2.5	PH-2
P0604.042-080-ZP	4.2	80	8.1	2.5	PH-2
P0604.042-090-ZP	4.2	90	8.1	2.5	PH-2
P0604.042-100-ZP	4.2	100	8.1	2.5	PH-2
P0604.048-009-ZP	4.8	9.5	9.5	3.0	PH-2
P0604.048-013-ZP	4.8	13	9.5	3.0	PH-2
P0604.048-016-ZP	4.8	16	9.5	3.0	PH-2
P0604.048-019-ZP	4.8	19	9.5	3.0	PH-2
P0604.048-022-ZP	4.8	22	9.5	3.0	PH-2
P0604.048-025-ZP	4.8	25	9.5	3.0	PH-2
P0604.048-032-ZP	4.8	32	9.5	3.0	PH-2
P0604.048-038-ZP	4.8	38	9.5	3.0	PH-2
P0604.048-045-ZP	4.8	45	9.5	3.0	PH-2
P0604.048-050-ZP	4.8	50	9.5	3.0	PH-2
P0604.048-060-ZP	4.8	60	9.5	3.0	PH-2
P0604.048-070-ZP	4.8	70	9.5	3.0	PH-2
P0604.048-080-ZP	4.8	80	9.5	3.0	PH-2
P0604.048-090-ZP	4.8	90	9.5	3.0	PH-2
P0604.048-100-ZP	4.8	100	9.5	3.0	PH-2
P0604.048-120-ZP	4.8	120	9.5	3.0	PH-2
P0604.055-013-ZP	5.5	13	10.8	3.4	PH-3
P0604.055-016-ZP	5.5	16	10.8	3.4	PH-3
P0604.055-019-ZP	5.5	19	10.8	3.4	PH-3
P0604.055-022-ZP	5.5	22	10.8	3.4	PH-3
P0604.055-025-ZP	5.5	25	10.8	3.4	PH-3
P0604.055-032-ZP	5.5	32	10.8	3.4	PH-3
P0604.055-038-ZP	5.5	38	10.8	3.4	PH-3
P0604.055-045-ZP	5.5	45	10.8	3.4	PH-3
P0604.055-050-ZP	5.5	50	10.8	3.4	PH-3
P0604.055-060-ZP	5.5	60	10.8	3.4	PH-3
P0604.055-070-ZP	5.5	70	10.8	3.4	PH-3
P0604.055-080-ZP	5.5	80	10.8	3.4	PH-3
P0604.055-090-ZP	5.5	90	10.8	3.4	PH-3
P0604.055-100-ZP	5.5	100	10.8	3.4	PH-3
P0604.055-120-ZP	5.5	120	10.8	3.4	PH-3
P0604.063-013-ZP	6.3	13	12.4	3.8	PH-3
P0604.063-016-ZP	6.3	16	12.4	3.8	PH-3
P0604.063-019-ZP	6.3	19	12.4	3.8	PH-3
P0604.063-022-ZP	6.3	22	12.4	3.8	PH-3
P0604.063-025-ZP	6.3	25	12.4	3.8	PH-3
P0604.063-032-ZP	6.3	32	12.4	3.8	PH-3
P0604.063-038-ZP	6.3	38	12.4	3.8	PH-3
P0604.063-045-ZP	6.3	45	12.4	3.8	PH-3
P0604.063-050-ZP	6.3	50	12.4	3.8	PH-3
P0604.063-060-ZP	6.3	60	12.4	3.8	PH-3
P0604.063-070-ZP	6.3	70	12.4	3.8	PH-3
P0604.063-080-ZP	6.3	80	12.4	3.8	PH-3
P0604.063-090-ZP	6.3	90	12.4	3.8	PH-3
P0604.063-100-ZP	6.3	100	12.4	3.8	PH-3
P0604.063-120-ZP	6.3	120	12.4	3.8	PH-3



Raised C'sk Phillips AB Tappers

Raised phillips - steel, zinc-plated



P0605.ZP

SELF TAPPERS

Material

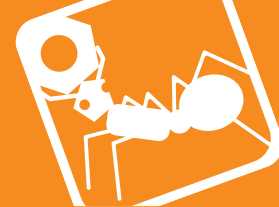
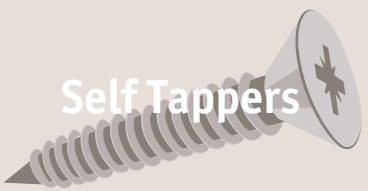
Steel, zinc-plated.
Also available as zinc-plated, black passi-

vated.

Technical Notes

To DIN 7983C-H, ISO 7051 type C.

Order No.	d ₁	l ₁	d ₂	h ₁	h ₂	Size
P0605.022-006-ZP	2.2	6.5	4.3	1.3	0.7	PH-1
P0605.022-009-ZP	2.2	9.5	4.3	1.3	0.7	PH-1
P0605.022-013-ZP	2.2	13	4.3	1.3	0.7	PH-1
P0605.022-016-ZP	2.2	16	4.3	1.3	0.7	PH-1
P0605.022-019-ZP	2.2	19	4.3	1.3	0.7	PH-1
P0605.022-022-ZP	2.2	22	4.3	1.3	0.7	PH-1
P0605.022-025-ZP	2.2	25	4.3	1.3	0.7	PH-1
P0605.022-032-ZP	2.2	32	4.3	1.3	0.7	PH-1
P0605.029-006-ZP	2.9	6.5	5.5	1.7	0.9	PH-1
P0605.029-009-ZP	2.9	9.5	5.5	1.7	0.9	PH-1
P0605.029-013-ZP	2.9	13	5.5	1.7	0.9	PH-1
P0605.029-016-ZP	2.9	16	5.5	1.7	0.9	PH-1
P0605.029-019-ZP	2.9	19	5.5	1.7	0.9	PH-1
P0605.029-022-ZP	2.9	22	5.5	1.7	0.9	PH-1
P0605.029-025-ZP	2.9	25	5.5	1.7	0.9	PH-1
P0605.029-032-ZP	2.9	32	5.5	1.7	0.9	PH-1
P0605.029-038-ZP	2.9	38	5.5	1.7	0.9	PH-1
P0605.035-006-ZP	3.5	6.5	6.8	2.1	1.2	PH-2
P0605.035-009-ZP	3.5	9.5	6.8	2.1	1.2	PH-2
P0605.035-013-ZP	3.5	13	6.8	2.1	1.2	PH-2
P0605.035-016-ZP	3.5	16	6.8	2.1	1.2	PH-2
P0605.035-019-ZP	3.5	19	6.8	2.1	1.2	PH-2
P0605.035-022-ZP	3.5	22	6.8	2.1	1.2	PH-2
P0605.035-025-ZP	3.5	25	6.8	2.1	1.2	PH-2
P0605.035-032-ZP	3.5	32	6.8	2.1	1.2	PH-2
P0605.035-038-ZP	3.5	38	6.8	2.1	1.2	PH-2
P0605.035-045-ZP	3.5	45	6.8	2.1	1.2	PH-2
P0605.035-050-ZP	3.5	50	6.8	2.1	1.2	PH-2
P0605.039-006-ZP	3.9	6.5	7.5	2.3	1.3	PH-2
P0605.039-009-ZP	3.9	9.5	7.5	2.3	1.3	PH-2
P0605.039-013-ZP	3.9	13	7.5	2.3	1.3	PH-2
P0605.039-016-ZP	3.9	16	7.5	2.3	1.3	PH-2
P0605.039-019-ZP	3.9	19	7.5	2.3	1.3	PH-2
P0605.039-022-ZP	3.9	22	7.5	2.3	1.3	PH-2
P0605.039-025-ZP	3.9	25	7.5	2.3	1.3	PH-2



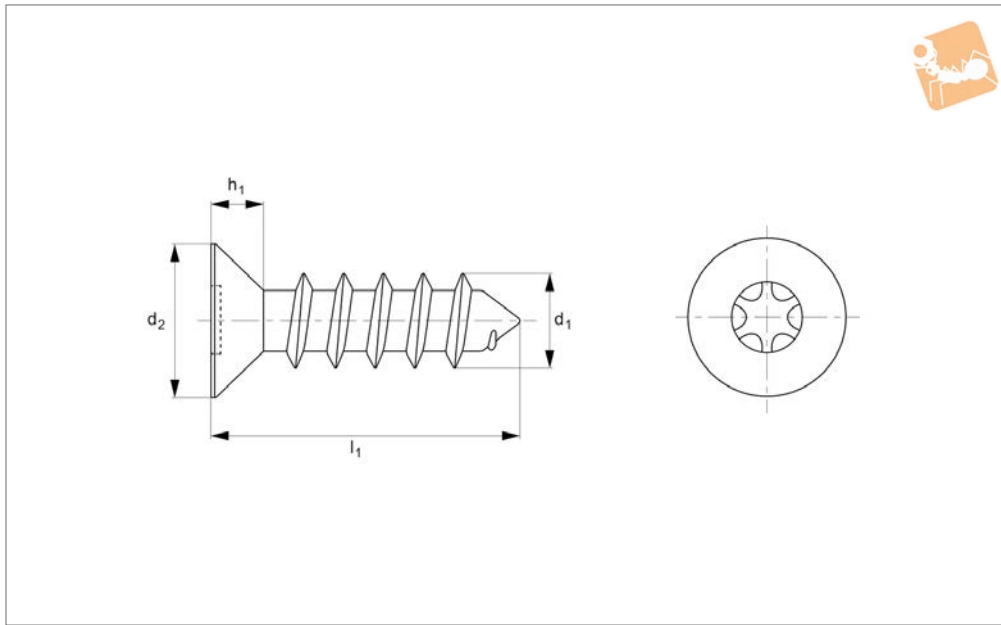
SELF TAPPERS

Order No.	d ₁	l ₁	d ₂	h ₁	h ₂	Size
P0605.039-032-ZP	3.9	32	7.5	2.3	1.3	PH-2
P0605.039-038-ZP	3.9	38	7.5	2.3	1.3	PH-2
P0605.039-045-ZP	3.9	45	7.5	2.3	1.3	PH-2
P0605.039-050-ZP	3.9	50	7.5	2.3	1.3	PH-2
P0605.039-060-ZP	3.9	60	7.5	2.3	1.3	PH-2
P0605.039-070-ZP	3.9	70	7.5	2.3	1.3	PH-2
P0605.042-009-ZP	4.2	9.5	8.1	2.5	1.4	PH-2
P0605.042-013-ZP	4.2	13	8.1	2.5	1.4	PH-2
P0605.042-016-ZP	4.2	16	8.1	2.5	1.4	PH-2
P0605.042-019-ZP	4.2	19	8.1	2.5	1.4	PH-2
P0605.042-022-ZP	4.2	22	8.1	2.5	1.4	PH-2
P0605.042-025-ZP	4.2	25	8.1	2.5	1.4	PH-2
P0605.042-032-ZP	4.2	32	8.1	2.5	1.4	PH-2
P0605.042-038-ZP	4.2	38	8.1	2.5	1.4	PH-2
P0605.042-045-ZP	4.2	45	8.1	2.5	1.4	PH-2
P0605.042-050-ZP	4.2	50	8.1	2.5	1.4	PH-2
P0605.042-060-ZP	4.2	60	8.1	2.5	1.4	PH-2
P0605.042-070-ZP	4.2	70	8.1	2.5	1.4	PH-2
P0605.042-080-ZP	4.2	80	8.1	2.5	1.4	PH-2
P0605.048-009-ZP	4.8	9.5	9.5	3.0	1.5	PH-2
P0605.048-013-ZP	4.8	13	9.5	3.0	1.5	PH-2
P0605.048-016-ZP	4.8	16	9.5	3.0	1.5	PH-2
P0605.048-019-ZP	4.8	19	9.5	3.0	1.5	PH-2
P0605.048-022-ZP	4.8	22	9.5	3.0	1.5	PH-2
P0605.048-025-ZP	4.8	25	9.5	3.0	1.5	PH-2
P0605.048-032-ZP	4.8	32	9.5	3.0	1.5	PH-2
P0605.048-038-ZP	4.8	38	9.5	3.0	1.5	PH-2
P0605.048-045-ZP	4.8	45	9.5	3.0	1.5	PH-2
P0605.048-050-ZP	4.8	50	9.5	3.0	1.5	PH-2
P0605.048-600-ZP	4.8	60	9.5	3.0	1.5	PH-2
P0605.048-070-ZP	4.8	70	9.5	3.0	1.5	PH-2
P0605.048-080-ZP	4.8	80	9.5	3.0	1.5	PH-2
P0605.048-090-ZP	4.8	90	9.5	3.0	1.5	PH-2
P0605.048-100-ZP	4.8	100	9.5	3.0	1.5	PH-2
P0605.055-009-ZP	5.5	9.5	10.8	3.4	1.7	PH-3
P0605.055-013-ZP	5.5	13	10.8	3.4	1.7	PH-3
P0605.055-016-ZP	5.5	16	10.8	3.4	1.7	PH-3
P0605.055-019-ZP	5.5	19	10.8	3.4	1.7	PH-3
P0605.055-022-ZP	5.5	22	10.8	3.4	1.7	PH-3
P0605.055-025-ZP	5.5	25	10.8	3.4	1.7	PH-3
P0605.055-032-ZP	5.5	32	10.8	3.4	1.7	PH-3
P0605.055-038-ZP	5.5	38	10.8	3.4	1.7	PH-3
P0605.055-045-ZP	5.5	45	10.8	3.4	1.7	PH-3
P0605.055-050-ZP	5.5	50	10.8	3.4	1.7	PH-3
P0605.055-060-ZP	5.5	60	10.8	3.4	1.7	PH-3
P0605.055-070-ZP	5.5	70	10.8	3.4	1.7	PH-3
P0605.055-080-ZP	5.5	80	10.8	3.4	1.7	PH-3
P0605.055-090-ZP	5.5	90	10.8	3.4	1.7	PH-3
P0605.055-100-ZP	5.5	100	10.8	3.4	1.7	PH-3
P0605.063-013-ZP	6.3	13	12.4	3.8	2.0	PH-3
P0605.063-016-ZP	6.3	16	12.4	3.8	2.0	PH-3
P0605.063-019-ZP	6.3	19	12.4	3.8	2.0	PH-3
P0605.063-022-ZP	6.3	22	12.4	3.8	2.0	PH-3
P0605.063-025-ZP	6.3	25	12.4	3.8	2.0	PH-3
P0605.063-032-ZP	6.3	32	12.4	3.8	2.0	PH-3
P0605.063-038-ZP	6.3	38	12.4	3.8	2.0	PH-3
P0605.063-045-ZP	6.3	45	12.4	3.8	2.0	PH-3
P0605.063-050-ZP	6.3	50	12.4	3.8	2.0	PH-3
P0605.063-060-ZP	6.3	60	12.4	3.8	2.0	PH-3
P0605.063-070-ZP	6.3	70	12.4	3.8	2.0	PH-3
P0605.063-080-ZP	6.3	80	12.4	3.8	2.0	PH-3
P0605.063-090-ZP	6.3	90	12.4	3.8	2.0	PH-3
P0605.063-100-ZP	6.3	100	12.4	3.8	2.0	PH-3



Countersunk TX AB Tappers

TX AB - steel, zinc-plated



P0607.ZP

SELF TAPPERS

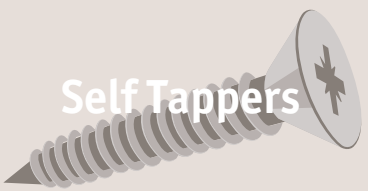
Material

Steel, zinc-plated.

Technical Notes

To DIN 7982C-TX.

Order No.	d ₁	l ₁	d ₂	h ₁	Size
P0607.029-009-ZP	2.9	9.5	5.5	1.7	TX-10
P0607.029-013-ZP	2.9	13	5.5	1.7	TX-10
P0607.029-016-ZP	2.9	16	5.5	1.7	TX-10
P0607.029-019-ZP	2.9	19	5.5	1.7	TX-10
P0607.029-022-ZP	2.9	22	5.5	1.7	TX-10
P0607.029-025-ZP	2.9	25	5.5	1.7	TX-10
P0607.035-009-ZP	3.5	9.5	6.8	2.1	TX-15
P0607.035-013-ZP	3.5	13	6.8	2.1	TX-15
P0607.035-016-ZP	3.5	16	6.8	2.1	TX-15
P0607.035-019-ZP	3.5	19	6.8	2.1	TX-15
P0607.035-022-ZP	3.5	22	6.8	2.1	TX-15
P0607.035-025-ZP	3.5	25	6.8	2.1	TX-15
P0607.035-032-ZP	3.5	32	6.8	2.1	TX-15
P0607.035-038-ZP	3.5	38	6.8	2.1	TX-15
P0607.035-045-ZP	3.5	45	6.8	2.1	TX-15
P0607.035-050-ZP	3.5	50	6.8	2.1	TX-15
P0607.039-009-ZP	3.9	9.5	7.5	2.3	TX-15
P0607.039-013-ZP	3.9	13	7.5	2.3	TX-15
P0607.039-016-ZP	3.9	16	7.5	2.3	TX-15
P0607.039-019-ZP	3.9	19	7.5	2.3	TX-15
P0607.039-022-ZP	3.9	22	7.5	2.3	TX-15
P0607.039-025-ZP	3.9	25	7.5	2.3	TX-15
P0607.039-032-ZP	3.9	32	7.5	2.3	TX-15
P0607.039-038-ZP	3.9	38	7.5	2.3	TX-15
P0607.039-045-ZP	3.9	45	7.5	2.3	TX-15
P0607.039-050-ZP	3.9	50	7.5	2.3	TX-15
P0607.039-060-ZP	3.9	60	7.5	2.3	TX-15
P0607.042-009-ZP	4.2	9.5	8.1	2.5	TX-20
P0607.042-013-ZP	4.2	13	8.1	2.5	TX-20
P0607.042-016-ZP	4.2	16	8.1	2.5	TX-20
P0607.042-019-ZP	4.2	19	8.1	2.5	TX-20
P0607.042-022-ZP	4.2	22	8.1	2.5	TX-20
P0607.042-025-ZP	4.2	25	8.1	2.5	TX-20
P0607.042-032-ZP	4.2	32	8.1	2.5	TX-20
P0607.042-038-ZP	4.2	38	8.1	2.5	TX-20



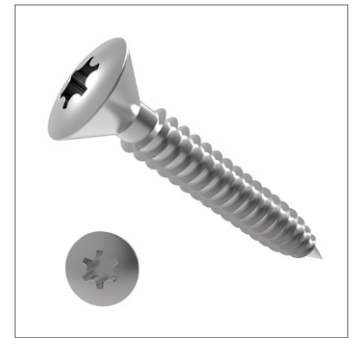
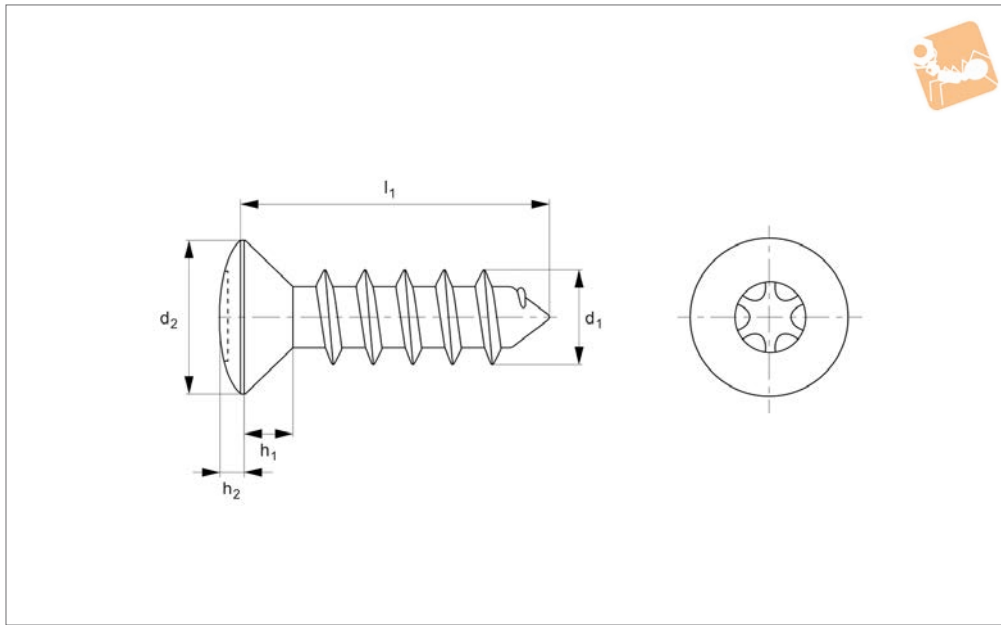
SELF TAPPERS

Order No.	d ₁	l ₁	d ₂	h ₁	Size
P0607.042-045-ZP	4.2	45	8.1	2.5	TX-20
P0607.042-050-ZP	4.2	50	8.1	2.5	TX-20
P0607.042-060-ZP	4.2	60	8.1	2.5	TX-20
P0607.048-013-ZP	4.8	13	9.5	3.0	TX-25
P0607.048-016-ZP	4.8	16	9.5	3.0	TX-25
P0607.048-019-ZP	4.8	19	9.5	3.0	TX-25
P0607.048-022-ZP	4.8	22	9.5	3.0	TX-25
P0607.048-025-ZP	4.8	25	9.5	3.0	TX-25
P0607.048-032-ZP	4.8	32	9.5	3.0	TX-25
P0607.048-038-ZP	4.8	38	9.5	3.0	TX-25
P0607.048-045-ZP	4.8	45	9.5	3.0	TX-25
P0607.048-050-ZP	4.8	50	9.5	3.0	TX-25
P0607.048-060-ZP	4.8	60	9.5	3.0	TX-25
P0607.055-013-ZP	5.5	13	10.8	3.4	TX-25
P0607.055-016-ZP	5.5	16	10.8	3.4	TX-25
P0607.055-019-ZP	5.5	19	10.8	3.4	TX-25
P0607.055-022-ZP	5.5	22	10.8	3.4	TX-25
P0607.055-025-ZP	5.5	25	10.8	3.4	TX-25
P0607.055-032-ZP	5.5	32	10.8	3.4	TX-25
P0607.055-038-ZP	5.5	38	10.8	3.4	TX-25
P0607.055-045-ZP	5.5	45	10.8	3.4	TX-25
P0607.055-050-ZP	5.5	50	10.8	3.4	TX-25
P0607.055-060-ZP	5.5	60	10.8	3.4	TX-25
P0607.063-013-ZP	6.3	13	12.4	3.8	TX-30
P0607.063-016-ZP	6.3	16	12.4	3.8	TX-30
P0607.063-019-ZP	6.3	19	12.4	3.8	TX-30
P0607.063-022-ZP	6.3	22	12.4	3.8	TX-30
P0607.063-025-ZP	6.3	25	12.4	3.8	TX-30
P0607.063-032-ZP	6.3	32	12.4	3.8	TX-30
P0607.063-038-ZP	6.3	38	12.4	3.8	TX-30
P0607.063-045-ZP	6.3	45	12.4	3.8	TX-30
P0607.063-050-ZP	6.3	50	12.4	3.8	TX-30
P0607.063-060-ZP	6.3	60	12.4	3.8	TX-30



Raised C'sunk TX AB Tappers

Raised TX AB - steel, zinc-plated



P0608.ZP

SELF TAPPERS

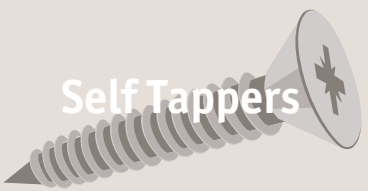
Material

Steel, zinc-plated.

Technical Notes

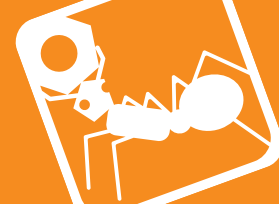
To DIN 7983C-TX.

Order No.	d ₁	l ₁	d ₂	h ₁	h ₂	Size
P0608.035-013-ZP	3.5	13	6.8	2.1	1.2	TX-15
P0608.035-016-ZP	3.5	16	6.8	2.1	1.2	TX-15
P0608.035-019-ZP	3.5	19	6.8	2.1	1.2	TX-15
P0608.035-022-ZP	3.5	22	6.8	2.1	1.2	TX-15
P0608.035-025-ZP	3.5	25	6.8	2.1	1.2	TX-15
P0608.035-032-ZP	3.5	32	6.8	2.1	1.2	TX-15
P0608.035-038-ZP	3.5	38	6.8	2.1	1.2	TX-15
P0608.039-013-ZP	3.9	13	7.5	2.3	1.3	TX-15
P0608.039-016-ZP	3.9	16	7.5	2.3	1.3	TX-15
P0608.039-019-ZP	3.9	19	7.5	2.3	1.3	TX-15
P0608.039-022-ZP	3.9	22	7.5	2.3	1.3	TX-15
P0608.039-025-ZP	3.9	25	7.5	2.3	1.3	TX-15
P0608.039-032-ZP	3.9	32	7.5	2.3	1.3	TX-15
P0608.039-038-ZP	3.9	38	7.5	2.3	1.3	TX-15
P0608.039-045-ZP	3.9	45	7.5	2.3	1.3	TX-15
P0608.039-050-ZP	3.9	50	7.5	2.3	1.3	TX-15
P0608.042-013-ZP	4.2	13	8.1	2.5	1.4	TX-20
P0608.042-016-ZP	4.2	16	8.1	2.5	1.4	TX-20
P0608.042-019-ZP	4.2	19	8.1	2.5	1.4	TX-20
P0608.042-022-ZP	4.2	22	8.1	2.5	1.4	TX-20
P0608.042-025-ZP	4.2	25	8.1	2.5	1.4	TX-20
P0608.042-032-ZP	4.2	32	8.1	2.5	1.4	TX-20
P0608.042-038-ZP	4.2	38	8.1	2.5	1.4	TX-20
P0608.042-045-ZP	4.2	45	8.1	2.5	1.4	TX-20
P0608.042-050-ZP	4.2	50	8.1	2.5	1.4	TX-20
P0608.042-060-ZP	4.2	60	8.1	2.5	1.4	TX-20
P0608.048-013-ZP	4.8	13	9.5	3.0	1.5	TX-20
P0608.048-016-ZP	4.8	16	9.5	3.0	1.5	TX-20
P0608.048-019-ZP	4.8	19	9.5	3.0	1.5	TX-20
P0608.048-022-ZP	4.8	22	9.5	3.0	1.5	TX-20
P0608.048-025-ZP	4.8	25	9.5	3.0	1.5	TX-20
P0608.048-032-ZP	4.8	32	9.5	3.0	1.5	TX-20
P0608.048-038-ZP	4.8	38	9.5	3.0	1.5	TX-20
P0608.048-045-ZP	4.8	45	9.5	3.0	1.5	TX-20
P0608.048-050-ZP	4.8	50	9.5	3.0	1.5	TX-20



Raised C'sunk TX AB Tappers

Raised TX AB - steel, zinc-plated



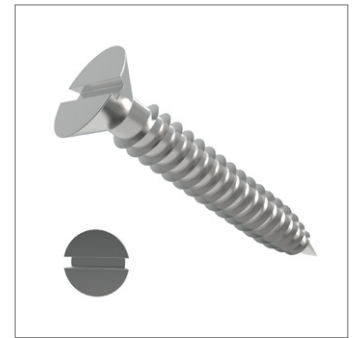
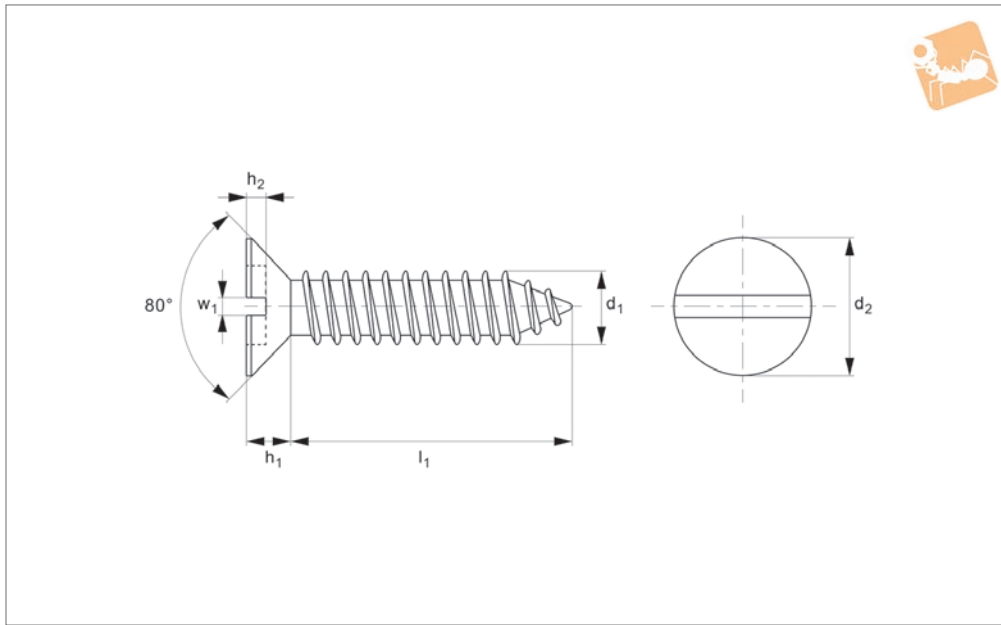
SELF TAPPERS

Order No.	d ₁	l ₁	d ₂	h ₁	h ₂	Size
P0608.048-060-ZP	4.8	60	9.5	3.0	1.5	TX-20
P0608.055-013-ZP	5.5	13	10.8	3.4	1.7	TX-25
P0608.055-016-ZP	5.5	16	10.8	3.4	1.7	TX-25
P0608.055-019-ZP	5.5	19	10.8	3.4	1.7	TX-25
P0608.055-022-ZP	5.5	22	10.8	3.4	1.7	TX-25
P0608.055-025-ZP	5.5	25	10.8	3.4	1.7	TX-25
P0608.055-032-ZP	5.5	32	10.8	3.4	1.7	TX-25
P0608.055-038-ZP	5.5	38	10.8	3.4	1.7	TX-25
P0608.055-050-ZP	5.5	50	10.8	3.4	1.7	TX-25
P0608.055-060-ZP	5.5	60	10.8	3.4	1.7	TX-25
P0608.063-025-ZP	6.3	25	12.4	3.8	2.0	TX-30
P0608.063-032-ZP	6.3	32	12.4	3.8	2.0	TX-30
P0608.063-038-ZP	6.3	38	12.4	3.8	2.0	TX-30
P0608.063-045-ZP	6.3	45	12.4	3.8	2.0	TX-30
P0608.063-050-ZP	6.3	50	12.4	3.8	2.0	TX-30
P0608.063-060-ZP	6.3	60	12.4	3.8	2.0	TX-30



C'sunk Slot AB Tappers

Slot AB - steel, zinc-plated



P0610.ZP

SELF TAPPERS

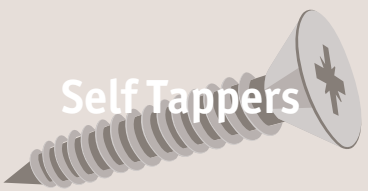
Material

Steel, zinc-plated.

Technical Notes

To DIN 7972C, ISO 1482 type C.

Order No.	d ₁	l ₁	d ₂	h ₁	h ₂ max.	w ₁
P0610.022-006-ZP	2.2	6.5	4.3	1.3	0.60	0.6
P0610.022-009-ZP	2.2	9.5	4.3	1.3	0.60	0.6
P0610.022-013-ZP	2.2	13.0	4.3	1.3	0.60	0.6
P0610.022-016-ZP	2.2	16.0	4.3	1.3	0.60	0.6
P0610.022-019-ZP	2.2	19.0	4.3	1.3	0.60	0.6
P0610.022-022-ZP	2.2	22.0	4.3	1.3	0.60	0.6
P0610.022-025-ZP	2.2	25.0	4.3	1.3	0.60	0.6
P0610.029-006-ZP	2.9	6.5	5.5	1.7	0.75	0.8
P0610.029-009-ZP	2.9	9.5	5.5	1.7	0.75	0.8
P0610.029-013-ZP	2.9	13.0	5.5	1.7	0.75	0.8
P0610.029-016-ZP	2.9	16.0	5.5	1.7	0.75	0.8
P0610.029-019-ZP	2.9	19.0	5.5	1.7	0.75	0.8
P0610.029-022-ZP	2.9	22.0	5.5	1.7	0.75	0.8
P0610.029-025-ZP	2.9	25.0	5.5	1.7	0.75	0.8
P0610.035-009-ZP	3.5	9.5	6.8	2.1	0.95	1.0
P0610.035-013-ZP	3.5	13.0	6.8	2.1	0.95	1.0
P0610.035-016-ZP	3.5	16.0	6.8	2.1	0.95	1.0
P0610.035-019-ZP	3.5	19.0	6.8	2.1	0.95	1.0
P0610.035-022-ZP	3.5	22.0	6.8	2.1	0.95	1.0
P0610.035-025-ZP	3.5	25.0	6.8	2.1	0.95	1.0
P0610.035-032-ZP	3.5	32.0	6.8	2.1	0.95	1.0
P0610.035-038-ZP	3.5	38.0	6.8	2.1	0.95	1.0
P0610.039-009-ZP	3.9	9.5	7.5	2.3	1.05	1.0
P0610.039-013-ZP	3.9	13.0	7.5	2.3	1.05	1.0
P0610.039-016-ZP	3.9	16.0	7.5	2.3	1.05	1.0
P0610.039-019-ZP	3.9	19.0	7.5	2.3	1.05	1.0
P0610.039-022-ZP	3.9	22.0	7.5	2.3	1.05	1.0
P0610.039-025-ZP	3.9	25.0	7.5	2.3	1.05	1.0
P0610.039-032-ZP	3.9	32.0	7.5	2.3	1.05	1.0
P0610.039-038-ZP	3.9	38.0	7.5	2.3	1.05	1.0
P0610.039-045-ZP	3.9	45.0	7.5	2.3	1.05	1.0
P0610.042-009-ZP	4.2	9.5	8.1	2.5	1.15	1.2
P0610.042-013-ZP	4.2	13.0	8.1	2.5	1.15	1.2
P0610.042-016-ZP	4.2	16.0	8.1	2.5	1.15	1.2



C'sunk Slot AB Tappers

Slot AB - steel, zinc-plated



SELF TAPPERS

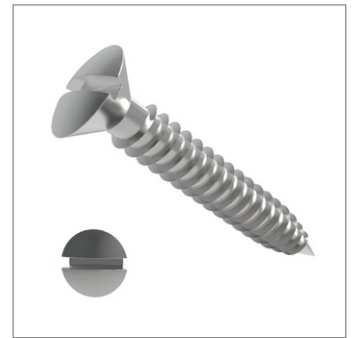
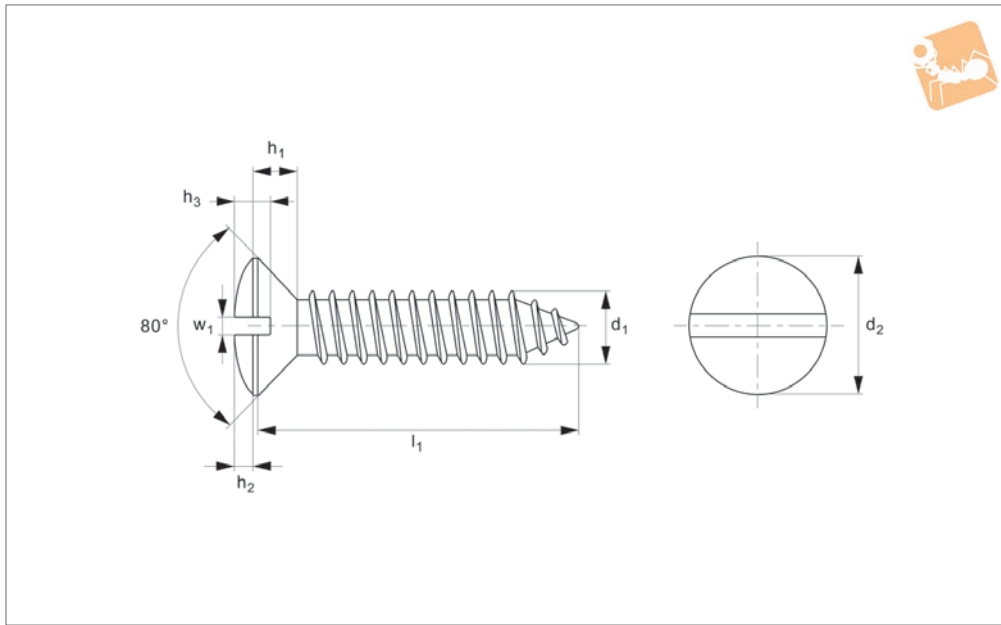
Order No.	d ₁	l ₁	d ₂	h ₁	h ₂ max.	w ₁
P0610.042-019-ZP	4.2	19.0	8.1	2.5	1.15	1.2
P0610.042-022-ZP	4.2	22.0	8.1	2.5	1.15	1.2
P0610.042-025-ZP	4.2	25.0	8.1	2.5	1.15	1.2
P0610.042-032-ZP	4.2	32.0	8.1	2.5	1.15	1.2
P0610.042-038-ZP	4.2	38.0	8.1	2.5	1.15	1.2
P0610.042-045-ZP	4.2	45.0	8.1	2.5	1.15	1.2
P0610.048-016-ZP	4.8	16.0	9.5	3.0	1.35	1.2
P0610.048-034-ZP	4.8	19.0	9.5	3.0	1.35	1.2
P0610.048-022-ZP	4.8	22.0	9.5	3.0	1.35	1.2
P0610.048-025-ZP	4.8	25.0	9.5	3.0	1.35	1.2
P0610.048-032-ZP	4.8	32.0	9.5	3.0	1.35	1.2
P0610.048-038-ZP	4.8	38.0	9.5	3.0	1.35	1.2
P0610.048-045-ZP	4.8	45.0	9.5	3.0	1.35	1.2
P0610.048-050-ZP	4.8	50.0	9.5	3.0	1.35	1.2
P0610.048-060-ZP	4.8	60.0	9.5	3.0	1.35	1.2
P0610.048-070-ZP	4.8	70.0	9.5	3.0	1.35	1.2
P0610.055-016-ZP	5.5	16.0	10.8	3.4	1.50	1.6
P0610.055-019-ZP	5.5	19.0	10.8	3.4	1.50	1.6
P0610.055-025-ZP	5.5	25.0	10.8	3.4	1.50	1.6
P0610.055-032-ZP	5.5	32.0	10.8	3.4	1.50	1.6
P0610.055-038-ZP	5.5	38.0	10.8	3.4	1.50	1.6
P0610.055-045-ZP	5.5	45.0	10.8	3.4	1.50	1.6
P0610.055-050-ZP	5.5	50.0	10.8	3.4	1.50	1.6
P0610.055-060-ZP	5.5	60.0	10.8	3.4	1.50	1.6
P0610.055-070-ZP	5.5	70.0	10.8	3.4	1.50	1.6
P0610.063-025-ZP	6.3	25.0	12.4	3.8	1.75	1.6
P0610.063-032-ZP	6.3	32.0	12.4	3.8	1.75	1.6
P0610.063-038-ZP	6.3	38.0	12.4	3.8	1.75	1.6
P0610.063-045-ZP	6.3	45.0	12.4	3.8	1.75	1.6
P0610.063-050-ZP	6.3	50.0	12.4	3.8	1.75	1.6
P0610.063-060-ZP	6.3	60.0	12.4	3.8	1.75	1.6
P0610.063-070-ZP	6.3	70.0	12.4	3.8	1.75	1.6



Raised C'sk Slot AB Tappers

Raised Slot AB - steel, zinc-plated

Self Tappers



P0611.ZP

SELF TAPPERS

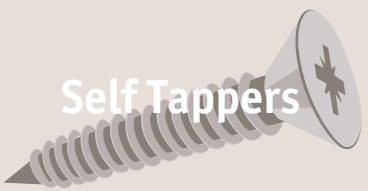
Material

Steel, zinc-plated.

Technical Notes

To DIN 7973C, ISO 1483 type C.

Order No.	d ₁	l ₁	d ₂	h ₁	h ₂	h ₃ max.	w ₁
P0611.022-006-ZP	2.2	6.5	4.3	1.3	0.7	1.15	0.6
P0611.022-009-ZP	2.2	9.5	4.3	1.3	0.7	1.15	0.6
P0611.022-013-ZP	2.2	13.0	4.3	1.3	0.7	1.15	0.6
P0611.022-016-ZP	2.2	16.0	4.3	1.3	0.7	1.15	0.6
P0611.022-019-ZP	2.2	19.0	4.3	1.3	0.7	1.15	0.6
P0611.022-022-ZP	2.2	22.0	4.3	1.3	0.7	1.15	0.6
P0611.022-025-ZP	2.2	25.0	4.3	1.3	0.7	1.15	0.6
P0611.029-006-ZP	2.9	6.5	5.5	1.7	0.9	1.50	0.8
P0611.029-009-ZP	2.9	9.5	5.5	1.7	0.9	1.50	0.8
P0611.029-013-ZP	2.9	13.0	5.5	1.7	0.9	1.50	0.8
P0611.029-016-ZP	2.9	16.0	5.5	1.7	0.9	1.50	0.8
P0611.029-019-ZP	2.9	19.0	5.5	1.7	0.9	1.50	0.8
P0611.029-022-ZP	2.9	22.0	5.5	1.7	0.9	1.50	0.8
P0611.029-025-ZP	2.9	25.0	5.5	1.7	0.9	1.50	0.8
P0611.029-032-ZP	2.9	32.0	5.5	1.7	0.9	1.50	0.8
P0611.035-009-ZP	3.5	9.5	6.8	2.1	1.2	1.90	1.0
P0611.035-013-ZP	3.5	13.0	6.8	2.1	1.2	1.90	1.0
P0611.035-016-ZP	3.5	16.0	6.8	2.1	1.2	1.90	1.0
P0611.035-019-ZP	3.5	19.0	6.8	2.1	1.2	1.90	1.0
P0611.035-022-ZP	3.5	22.0	6.8	2.1	1.2	1.90	1.0
P0611.035-025-ZP	3.5	25.0	6.8	2.1	1.2	1.90	1.0
P0611.035-032-ZP	3.5	32.0	6.8	2.1	1.2	1.90	1.0
P0611.035-038-ZP	3.5	38.0	6.8	2.1	1.2	1.90	1.0
P0611.035-045-ZP	3.5	45.0	6.8	2.1	1.2	1.90	1.0
P0611.039-009-ZP	3.9	9.5	7.5	2.3	1.3	2.05	1.0
P0611.039-013-ZP	3.9	13.0	7.5	2.3	1.3	2.05	1.0
P0611.039-016-ZP	3.9	16.0	7.5	2.3	1.3	2.05	1.0
P0611.039-019-ZP	3.9	19.0	7.5	2.3	1.3	2.05	1.0
P0611.039-022-ZP	3.9	22.0	7.5	2.3	1.3	2.05	1.0
P0611.039-025-ZP	3.9	25.0	7.5	2.3	1.3	2.05	1.0
P0611.039-032-ZP	3.9	32.0	7.5	2.3	1.3	2.05	1.0
P0611.039-038-ZP	3.9	38.0	7.5	2.3	1.3	2.05	1.0
P0611.039-045-ZP	3.9	45.0	7.5	2.3	1.3	2.05	1.0
P0611.042-009-ZP	4.2	9.5	8.1	2.5	1.4	2.25	1.2



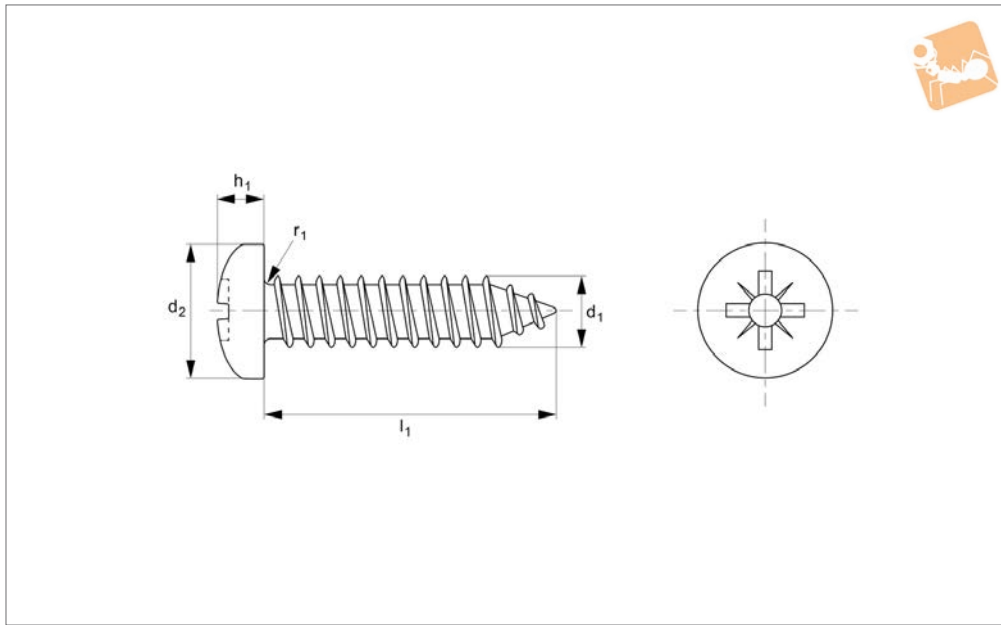
SELF TAPPERS

Order No.	d ₁	l ₁	d ₂	h ₁	h ₂	h ₃ max.	w ₁
P0611.042-013-ZP	4.2	13.0	8.1	2.5	1.4	2.25	1.2
P0611.042-016-ZP	4.2	16.0	8.1	2.5	1.4	2.25	1.2
P0611.042-019-ZP	4.2	19.0	8.1	2.5	1.4	2.25	1.2
P0611.042-022-ZP	4.2	22.0	8.1	2.5	1.4	2.25	1.2
P0611.042-025-ZP	4.2	25.0	8.1	2.5	1.4	2.25	1.2
P0611.042-032-ZP	4.2	32.0	8.1	2.5	1.4	2.25	1.2
P0611.042-038-ZP	4.2	38.0	8.1	2.5	1.4	2.25	1.2
P0611.042-045-ZP	4.2	45.0	8.1	2.5	1.4	2.25	1.2
P0611.048-009-ZP	4.8	9.5	9.5	3.0	1.5	2.60	1.2
P0611.048-013-ZP	4.8	13.0	9.5	3.0	1.5	2.60	1.2
P0611.048-016-ZP	4.8	16.0	9.5	3.0	1.5	2.60	1.2
P0611.048-019-ZP	4.8	19.0	9.5	3.0	1.5	2.60	1.2
P0611.048-022-ZP	4.8	22.0	9.5	3.0	1.5	2.60	1.2
P0611.048-025-ZP	4.8	25.0	9.5	3.0	1.5	2.60	1.2
P0611.048-032-ZP	4.8	32.0	9.5	3.0	1.5	2.60	1.2
P0611.048-038-ZP	4.8	38.0	9.5	3.0	1.5	2.60	1.2
P0611.048-045-ZP	4.8	45.0	9.5	3.0	1.5	2.60	1.2
P0611.048-050-ZP	4.8	50.0	9.5	3.0	1.5	2.60	1.2
P0611.048-060-ZP	4.8	60.0	9.5	3.0	1.5	2.60	1.2
P0611.055-009-ZP	5.5	9.5	10.8	3.4	1.7	2.95	1.6
P0611.055-013-ZP	5.5	13.0	10.8	3.4	1.7	2.95	1.6
P0611.055-016-ZP	5.5	16.0	10.8	3.4	1.7	2.95	1.6
P0611.055-019-ZP	5.5	19.0	10.8	3.4	1.7	2.95	1.6
P0611.055-022-ZP	5.5	22.0	10.8	3.4	1.7	2.95	1.6
P0611.055-025-ZP	5.5	25.0	10.8	3.4	1.7	2.95	1.6
P0611.055-032-ZP	5.5	32.0	10.8	3.4	1.7	2.95	1.6
P0611.055-038-ZP	5.5	38.0	10.8	3.4	1.7	2.95	1.6
P0611.055-045-ZP	5.5	45.0	10.8	3.4	1.7	2.95	1.6
P0611.055-050-ZP	5.5	50.0	10.8	3.4	1.7	2.95	1.6
P0611.055-060-ZP	5.5	60.0	10.8	3.4	1.7	2.95	1.6
P0611.063-009-ZP	6.3	9.5	12.4	3.8	2.0	2.95	1.6
P0611.063-013-ZP	6.3	13.0	12.4	3.8	2.0	2.95	1.6
P0611.063-016-ZP	6.3	16.0	12.4	3.8	2.0	2.95	1.6
P0611.063-019-ZP	6.3	19.0	12.4	3.8	2.0	2.95	1.6
P0611.063-022-ZP	6.3	22.0	12.4	3.8	2.0	2.95	1.6
P0611.063-025-ZP	6.3	25.0	12.4	3.8	2.0	2.95	1.6
P0611.063-032-ZP	6.3	32.0	12.4	3.8	2.0	2.95	1.6
P0611.063-038-ZP	6.3	38.0	12.4	3.8	2.0	2.95	1.6
P0611.063-045-ZP	6.3	45.0	12.4	3.8	2.0	2.95	1.6
P0611.063-050-ZP	6.3	50.0	12.4	3.8	2.0	2.95	1.6
P0611.063-060-ZP	6.3	60.0	12.4	3.8	2.0	2.95	1.6



Pan Head Pozi AB Tappers

Pozi AB - steel, zinc-plated



P0620.ZP

SELF TAPPERS

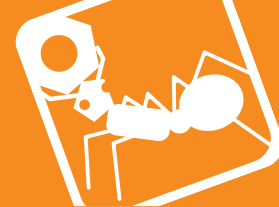
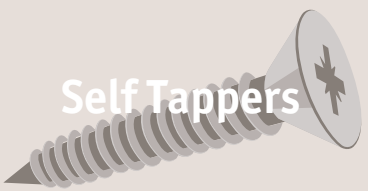
Material

Steel, zinc-plated (also available zinc-plated black passivated).

Technical Notes

To DIN 7981C-Z, ISO 7049 type C.

Order No.	d ₁	l ₁	d ₂	h ₁ max.	Size
P0620.022-006-ZP	2.2	6.5	4.2	1.8	PZ-1
P0620.022-009-ZP	2.2	9.5	4.2	1.8	PZ-1
P0620.022-013-ZP	2.2	13.0	4.2	1.8	PZ-1
P0620.022-016-ZP	2.2	16.0	4.2	1.8	PZ-1
P0620.022-019-ZP	2.2	19.0	4.2	1.8	PZ-1
P0620.022-022-ZP	2.2	22.0	4.2	1.8	PZ-1
P0620.022-025-ZP	2.2	25.0	4.2	1.8	PZ-1
P0620.022-032-ZP	2.2	32.0	4.2	1.8	PZ-1
P0620.029-006-ZP	2.9	6.5	5.6	2.2	PZ-1
P0620.029-009-ZP	2.9	9.5	5.6	2.2	PZ-1
P0620.029-013-ZP	2.9	13.0	5.6	2.2	PZ-1
P0620.029-016-ZP	2.9	16.0	5.6	2.2	PZ-1
P0620.029-019-ZP	2.9	19.0	5.6	2.2	PZ-1
P0620.029-022-ZP	2.9	22.0	5.6	2.2	PZ-1
P0620.029-025-ZP	2.9	25.0	5.6	2.2	PZ-1
P0620.029-032-ZP	2.9	32.0	5.6	2.2	PZ-1
P0620.029-038-ZP	2.9	38.0	5.6	2.2	PZ-1
P0620.035-006-ZP	3.5	6.5	6.9	2.6	PZ-2
P0620.035-009-ZP	3.5	9.5	6.9	2.6	PZ-2
P0620.035-013-ZP	3.5	13.0	6.9	2.6	PZ-2
P0620.035-016-ZP	3.5	16.0	6.9	2.6	PZ-2
P0620.035-019-ZP	3.5	19.0	6.9	2.6	PZ-2
P0620.035-022-ZP	3.5	22.0	6.9	2.6	PZ-2
P0620.035-025-ZP	3.5	25.0	6.9	2.6	PZ-2
P0620.035-032-ZP	3.5	32.0	6.9	2.6	PZ-2
P0620.035-038-ZP	3.5	38.0	6.9	2.6	PZ-2
P0620.035-045-ZP	3.5	45.0	6.9	2.6	PZ-2
P0620.035-050-ZP	3.5	50.0	6.9	2.6	PZ-2
P0620.035-060-ZP	3.5	60.0	6.9	2.6	PZ-2
P0620.039-006-ZP	3.9	6.5	7.5	2.8	PZ-2
P0620.039-009-ZP	3.9	9.5	7.5	2.8	PZ-2
P0620.039-013-ZP	3.9	13.0	7.5	2.8	PZ-2
P0620.039-016-ZP	3.9	16.0	7.5	2.8	PZ-2
P0620.039-019-ZP	3.9	19.0	7.5	2.8	PZ-2



SELF TAPPERS

Order No.	d ₁	l ₁	d ₂	h ₁ max.	Size
P0620.039-022-ZP	3.9	22.0	7.5	2.8	PZ-2
P0620.039-025-ZP	3.9	25.0	7.5	2.8	PZ-2
P0620.039-032-ZP	3.9	32.0	7.5	2.8	PZ-2
P0620.039-038-ZP	3.9	38.0	7.5	2.8	PZ-2
P0620.039-045-ZP	3.9	45.0	7.5	2.8	PZ-2
P0620.039-050-ZP	3.9	50.0	7.5	2.8	PZ-2
P0620.039-060-ZP	3.9	60.0	7.5	2.8	PZ-2
P0620.039-070-ZP	3.9	70.0	7.5	2.8	PZ-2
P0620.039-080-ZP	3.9	80.0	7.5	2.8	PZ-2
P0620.042-006-ZP	4.2	6.5	8.2	3.05	PZ-2
P0620.042-009-ZP	4.2	9.5	8.2	3.05	PZ-2
P0620.042-013-ZP	4.2	13.0	8.2	3.05	PZ-2
P0620.042-016-ZP	4.2	16.0	8.2	3.05	PZ-2
P0620.042-019-ZP	4.2	19.0	8.2	3.05	PZ-2
P0620.042-022-ZP	4.2	22.0	8.2	3.05	PZ-2
P0620.042-025-ZP	4.2	25.0	8.2	3.05	PZ-2
P0620.042-032-ZP	4.2	32.0	8.2	3.05	PZ-2
P0620.042-038-ZP	4.2	38.0	8.2	3.05	PZ-2
P0620.042-045-ZP	4.2	45.0	8.2	3.05	PZ-2
P0620.042-050-ZP	4.2	50.0	8.2	3.05	PZ-2
P0620.042-060-ZP	4.2	60.0	8.2	3.05	PZ-2
P0620.042-070-ZP	4.2	70.0	8.2	3.05	PZ-2
P0620.042-080-ZP	4.2	80.0	8.2	3.05	PZ-2
P0620.048-006-ZP	4.8	6.5	9.5	3.55	PZ-2
P0620.048-009-ZP	4.8	9.5	9.5	3.55	PZ-2
P0620.048-013-ZP	4.8	13.0	9.5	3.55	PZ-2
P0620.048-016-ZP	4.8	16.0	9.5	3.55	PZ-2
P0620.048-019-ZP	4.8	19.0	9.5	3.55	PZ-2
P0620.048-022-ZP	4.8	22.0	9.5	3.55	PZ-2
P0620.048-025-ZP	4.8	25.0	9.5	3.55	PZ-2
P0620.048-032-ZP	4.8	32.0	9.5	3.55	PZ-2
P0620.048-038-ZP	4.8	38.0	9.5	3.55	PZ-2
P0620.048-045-ZP	4.8	45.0	9.5	3.55	PZ-2
P0620.048-050-ZP	4.8	50.0	9.5	3.55	PZ-2
P0620.048-060-ZP	4.8	60.0	9.5	3.55	PZ-2
P0620.048-070-ZP	4.8	70.0	9.5	3.55	PZ-2
P0620.048-080-ZP	4.8	80.0	9.5	3.55	PZ-2
P0620.048-090-ZP	4.8	90.0	9.5	3.55	PZ-2
P0620.048-100-ZP	4.8	100.0	9.5	3.55	PZ-2
P0620.055-006-ZP	5.5	6.5	10.8	3.95	PZ-3
P0620.055-009-ZP	5.5	9.5	10.8	3.95	PZ-3
P0620.055-013-ZP	5.5	13.0	10.8	3.95	PZ-3
P0620.055-016-ZP	5.5	16.0	10.8	3.95	PZ-3
P0620.055-019-ZP	5.5	19.0	10.8	3.95	PZ-3
P0620.055-022-ZP	5.5	22.0	10.8	3.95	PZ-3
P0620.055-025-ZP	5.5	25.0	10.8	3.95	PZ-3
P0620.055-032-ZP	5.5	32.0	10.8	3.95	PZ-3
P0620.055-038-ZP	5.5	38.0	10.8	3.95	PZ-3
P0620.055-045-ZP	5.5	45.0	10.8	3.95	PZ-3
P0620.055-050-ZP	5.5	50.0	10.8	3.95	PZ-3
P0620.055-060-ZP	5.5	60.0	10.8	3.95	PZ-3
P0620.055-070-ZP	5.5	70.0	10.8	3.95	PZ-3
P0620.055-080-ZP	5.5	80.0	10.8	3.95	PZ-3
P0620.055-090-ZP	5.5	90.0	10.8	3.95	PZ-3
P0620.055-100-ZP	5.5	100.0	10.8	3.95	PZ-3
P0620.063-013-ZP	6.3	13.0	12.5	4.55	PZ-3
P0620.063-016-ZP	6.3	16.0	12.5	4.55	PZ-3
P0620.063-019-ZP	6.3	19.0	12.5	4.55	PZ-3
P0620.063-022-ZP	6.3	22.0	12.5	4.55	PZ-3
P0620.063-025-ZP	6.3	25.0	12.5	4.55	PZ-3
P0620.063-032-ZP	6.3	32.0	12.5	4.55	PZ-3
P0620.063-038-ZP	6.3	38.0	12.5	4.55	PZ-3
P0620.063-045-ZP	6.3	45.0	12.5	4.55	PZ-3
P0620.063-050-ZP	6.3	50.0	12.5	4.55	PZ-3
P0620.063-060-ZP	6.3	60.0	12.5	4.55	PZ-3
P0620.063-070-ZP	6.3	70.0	12.5	4.55	PZ-3
P0620.063-080-ZP	6.3	80.0	12.5	4.55	PZ-3
P0620.063-090-ZP	6.3	90.0	12.5	4.55	PZ-3



Pan Head Pozi AB Tappers

Pozi AB - steel, zinc-plated



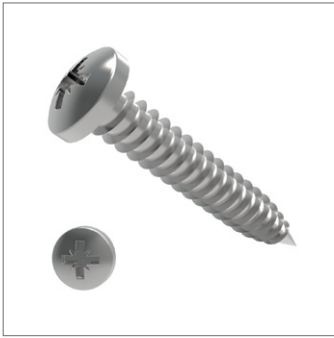
Self Tappers

Order No.	d_1	l_1	d_2	h_1 max.	Size
P0620.063-100-ZP	6.3	100.0	12.5	4.55	PZ-3

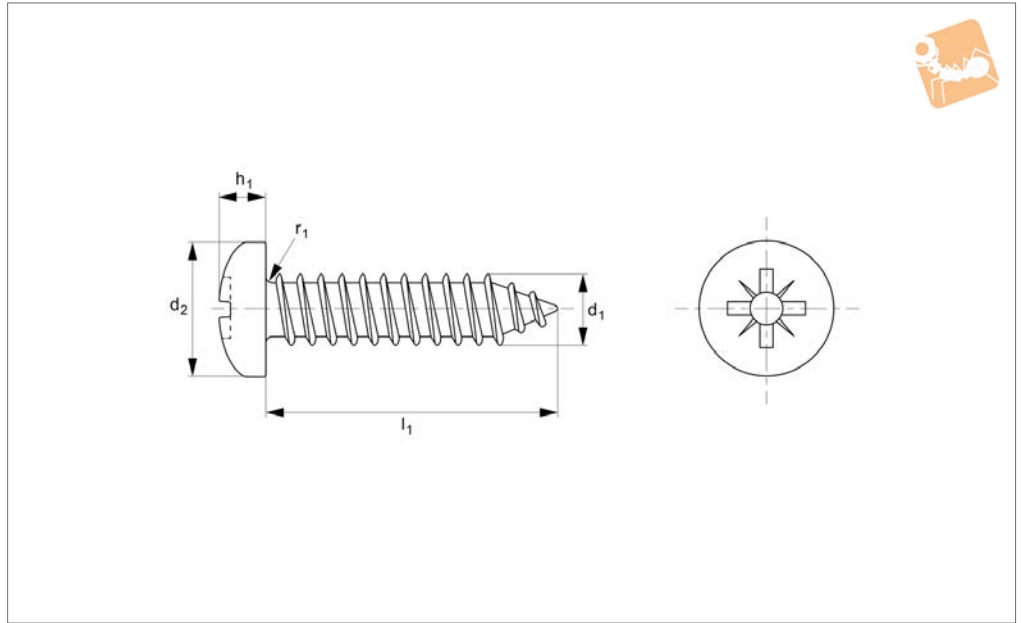
SELF TAPPERS



SELF TAPPERS



P0620.A4



Material

Stainless steel (A4, AISI 316).

Technical Notes

To DIN 7981C-Z, ISO 7049 type C.

Order No.	d ₁	l ₁	d ₂	h ₁ max.	Size
P0620.022-006-A4	2.2	6.5	4.2	1.8	PZ-1
P0620.022-009-A4	2.2	9.5	4.2	1.8	PZ-1
P0620.022-013-A4	2.2	13.0	4.2	1.8	PZ-1
P0620.022-016-A4	2.2	16.0	4.2	1.8	PZ-1
P0620.022-019-A4	2.2	19.0	4.2	1.8	PZ-1
P0620.022-022-A4	2.2	22.0	4.2	1.8	PZ-1
P0620.022-025-A4	2.2	25.0	4.2	1.8	PZ-1
P0620.022-032-A4	2.2	32.0	4.2	1.8	PZ-1
P0620.029-006-A4	2.9	6.5	5.6	2.2	PZ-1
P0620.029-009-A4	2.9	9.5	5.6	2.2	PZ-1
P0620.029-013-A4	2.9	13.0	5.6	2.2	PZ-1
P0620.029-016-A4	2.9	16.0	5.6	2.2	PZ-1
P0620.029-019-A4	2.9	19.0	5.6	2.2	PZ-1
P0620.029-022-A4	2.9	22.0	5.6	2.2	PZ-1
P0620.029-025-A4	2.9	25.0	5.6	2.2	PZ-1
P0620.029-032-A4	2.9	32.0	5.6	2.2	PZ-1
P0620.029-038-A4	2.9	38.0	5.6	2.2	PZ-1
P0620.035-006-A4	3.5	6.5	6.9	2.6	PZ-2
P0620.035-009-A4	3.5	9.5	6.9	2.6	PZ-2
P0620.035-013-A4	3.5	13.0	6.9	2.6	PZ-2
P0620.035-016-A4	3.5	16.0	6.9	2.6	PZ-2
P0620.035-019-A4	3.5	19.0	6.9	2.6	PZ-2
P0620.035-022-A4	3.5	22.0	6.9	2.6	PZ-2
P0620.035-025-A4	3.5	25.0	6.9	2.6	PZ-2
P0620.035-032-A4	3.5	32.0	6.9	2.6	PZ-2
P0620.035-038-A4	3.5	38.0	6.9	2.6	PZ-2
P0620.035-045-A4	3.5	45.0	6.9	2.6	PZ-2
P0620.035-050-A4	3.5	50.0	6.9	2.6	PZ-2
P0620.035-060-A4	3.5	60.0	6.9	2.6	PZ-2
P0620.039-006-A4	3.9	6.5	7.5	2.8	PZ-2
P0620.039-009-A4	3.9	9.5	7.5	2.8	PZ-2
P0620.039-013-A4	3.9	13.0	7.5	2.8	PZ-2
P0620.039-016-A4	3.9	16.0	7.5	2.8	PZ-2
P0620.039-019-A4	3.9	19.0	7.5	2.8	PZ-2



Stainless Pan Head Pozi AB Tappers

Pozi AB - A4 stainless

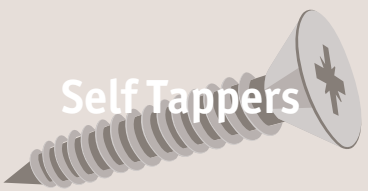


Self Tappers

Order No.	d ₁	l ₁	d ₂	h ₁ max.	Size
P0620.039-022-A4	3.9	22.0	7.5	2.8	PZ-2
P0620.039-025-A4	3.9	25.0	7.5	2.8	PZ-2
P0620.039-032-A4	3.9	32.0	7.5	2.8	PZ-2
P0620.039-038-A4	3.9	38.0	7.5	2.8	PZ-2
P0620.039-045-A4	3.9	45.0	7.5	2.8	PZ-2
P0620.039-050-A4	3.9	50.0	7.5	2.8	PZ-2
P0620.039-060-A4	3.9	60.0	7.5	2.8	PZ-2
P0620.039-070-A4	3.9	70.0	7.5	2.8	PZ-2
P0620.039-080-A4	3.9	80.0	7.5	2.8	PZ-2
P0620.042-006-A4	4.2	6.5	8.2	3.05	PZ-2
P0620.042-009-A4	4.2	9.5	8.2	3.05	PZ-2
P0620.042-013-A4	4.2	13.0	8.2	3.05	PZ-2
P0620.042-016-A4	4.2	16.0	8.2	3.05	PZ-2
P0620.042-019-A4	4.2	19.0	8.2	3.05	PZ-2
P0620.042-022-A4	4.2	22.0	8.2	3.05	PZ-2
P0620.042-025-A4	4.2	25.0	8.2	3.05	PZ-2
P0620.042-032-A4	4.2	32.0	8.2	3.05	PZ-2
P0620.042-038-A4	4.2	38.0	8.2	3.05	PZ-2
P0620.042-045-A4	4.2	45.0	8.2	3.05	PZ-2
P0620.042-050-A4	4.2	50.0	8.2	3.05	PZ-2
P0620.042-060-A4	4.2	60.0	8.2	3.05	PZ-2
P0620.042-070-A4	4.2	70.0	8.2	3.05	PZ-2
P0620.042-080-A4	4.2	80.0	8.2	3.05	PZ-2
P0620.048-006-A4	4.8	6.5	9.5	3.55	PZ-2
P0620.048-009-A4	4.8	9.5	9.5	3.55	PZ-2
P0620.048-013-A4	4.8	13.0	9.5	3.55	PZ-2
P0620.048-016-A4	4.8	16.0	9.5	3.55	PZ-2
P0620.048-019-A4	4.8	19.0	9.5	3.55	PZ-2
P0620.048-022-A4	4.8	22.0	9.5	3.55	PZ-2
P0620.048-025-A4	4.8	25.0	9.5	3.55	PZ-2
P0620.048-032-A4	4.8	32.0	9.5	3.55	PZ-2
P0620.048-038-A4	4.8	38.0	9.5	3.55	PZ-2
P0620.048-045-A4	4.8	45.0	9.5	3.55	PZ-2
P0620.048-050-A4	4.8	50.0	9.5	3.55	PZ-2
P0620.048-060-A4	4.8	60.0	9.5	3.55	PZ-2
P0620.048-070-A4	4.8	70.0	9.5	3.55	PZ-2
P0620.048-080-A4	4.8	80.0	9.5	3.55	PZ-2
P0620.048-090-A4	4.8	90.0	9.5	3.55	PZ-2
P0620.048-100-A4	4.8	100.0	9.5	3.55	PZ-2
P0620.055-006-A4	5.5	6.5	10.8	3.95	PZ-3
P0620.055-009-A4	5.5	9.5	10.8	3.95	PZ-3
P0620.055-013-A4	5.5	13.0	10.8	3.95	PZ-3
P0620.055-016-A4	5.5	16.0	10.8	3.95	PZ-3
P0620.055-019-A4	5.5	19.0	10.8	3.95	PZ-3
P0620.055-022-A4	5.5	22.0	10.8	3.95	PZ-3
P0620.055-025-A4	5.5	25.0	10.8	3.95	PZ-3
P0620.055-032-A4	5.5	32.0	10.8	3.95	PZ-3
P0620.055-038-A4	5.5	38.0	10.8	3.95	PZ-3
P0620.055-045-A4	5.5	45.0	10.8	3.95	PZ-3
P0620.055-050-A4	5.5	50.0	10.8	3.95	PZ-3
P0620.055-060-A4	5.5	60.0	10.8	3.95	PZ-3
P0620.055-070-A4	5.5	70.0	10.8	3.95	PZ-3
P0620.055-080-A4	5.5	80.0	10.8	3.95	PZ-3
P0620.055-090-A4	5.5	90.0	10.8	3.95	PZ-3
P0620.055-100-A4	5.5	100.0	10.8	3.95	PZ-3
P0620.063-013-A4	6.3	13.0	12.5	4.55	PZ-3
P0620.063-016-A4	6.3	16.0	12.5	4.55	PZ-3
P0620.063-019-A4	6.3	19.0	12.5	4.55	PZ-3
P0620.063-022-A4	6.3	22.0	12.5	4.55	PZ-3
P0620.063-025-A4	6.3	25.0	12.5	4.55	PZ-3
P0620.063-032-A4	6.3	32.0	12.5	4.55	PZ-3
P0620.063-038-A4	6.3	38.0	12.5	4.55	PZ-3
P0620.063-045-A4	6.3	45.0	12.5	4.55	PZ-3
P0620.063-050-A4	6.3	50.0	12.5	4.55	PZ-3
P0620.063-060-A4	6.3	60.0	12.5	4.55	PZ-3
P0620.063-070-A4	6.3	70.0	12.5	4.55	PZ-3
P0620.063-080-A4	6.3	80.0	12.5	4.55	PZ-3
P0620.063-090-A4	6.3	90.0	12.5	4.55	PZ-3

SELF TAPPERS

Self Tappers



Stainless Pan Head Pozi AB Tappers

Pozi AB - A4 stainless



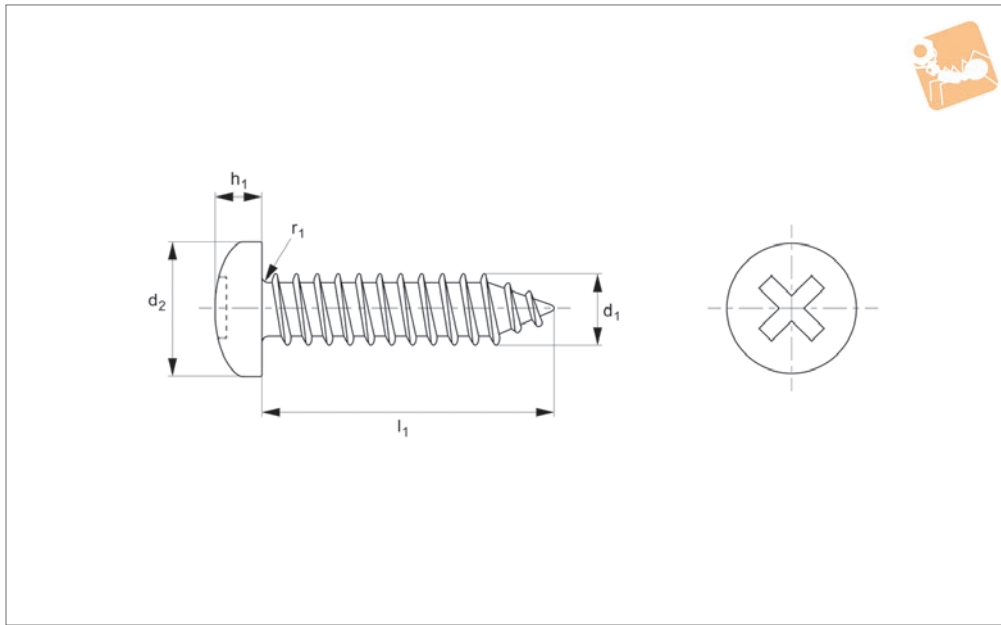
Order No.	d_1	l_1	d_2	h_1 max.	Size
P0620.063-100-A4	6.3	100.0	12.5	4.55	PZ-3

SELF TAPPERS



Pan Head Phillips AB Tappers

Phillips AB - steel, zinc-plated



P0621.ZP

SELF TAPPERS

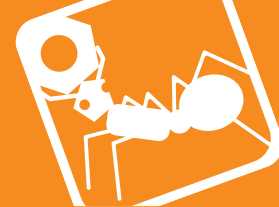
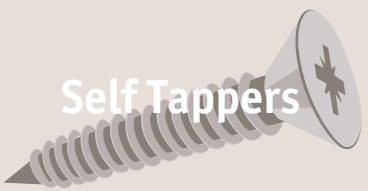
Material

Steel, zinc-plated (also available zinc-plated black passivated).

Technical Notes

To DIN 7981C-H, ISO 7049 type C.

Order No.	d ₁	l ₁	d ₂	h ₁ max.	Size
P0621.022-004-ZP	2.2	4.5	4.2	1.8	PH-1
P0621.022-006-ZP	2.2	6.5	4.2	1.8	PH-1
P0621.022-009-ZP	2.2	9.5	4.2	1.8	PH-1
P0621.022-013-ZP	2.2	13.0	4.2	1.8	PH-1
P0621.022-016-ZP	2.2	16.0	4.2	1.8	PH-1
P0621.022-019-ZP	2.2	19.0	4.2	1.8	PH-1
P0621.022-022-ZP	2.2	22.0	4.2	1.8	PH-1
P0621.022-025-ZP	2.2	25.0	4.2	1.8	PH-1
P0621.022-032-ZP	2.2	32.0	4.2	1.8	PH-1
P0621.029-006-ZP	2.9	6.5	5.6	2.2	PH-1
P0621.029-009-ZP	2.9	9.5	5.6	2.2	PH-1
P0621.029-013-ZP	2.9	13.0	5.6	2.2	PH-1
P0621.029-016-ZP	2.9	16.0	5.6	2.2	PH-1
P0621.029-019-ZP	2.9	19.0	5.6	2.2	PH-1
P0621.029-022-ZP	2.9	22.0	5.6	2.2	PH-1
P0621.029-025-ZP	2.9	25.0	5.6	2.2	PH-1
P0621.029-032-ZP	2.9	32.0	5.6	2.2	PH-1
P0621.029-038-ZP	2.9	38.0	5.6	2.2	PH-1
P0621.035-006-ZP	3.5	6.5	6.9	2.6	PH-2
P0621.035-009-ZP	3.5	9.5	6.9	2.6	PH-2
P0621.035-013-ZP	3.5	13.0	6.9	2.6	PH-2
P0621.035-016-ZP	3.5	16.0	6.9	2.6	PH-2
P0621.035-019-ZP	3.5	19.0	6.9	2.6	PH-2
P0621.035-022-ZP	3.5	22.0	6.9	2.6	PH-2
P0621.035-025-ZP	3.5	25.0	6.9	2.6	PH-2
P0621.035-032-ZP	3.5	32.0	6.9	2.6	PH-2
P0621.035-038-ZP	3.5	38.0	6.9	2.6	PH-2
P0621.035-045-ZP	3.5	45.0	6.9	2.6	PH-2
P0621.035-050-ZP	3.5	50.0	6.9	2.6	PH-2
P0621.035-060-ZP	3.5	60.0	6.9	2.6	PH-2
P0621.035-070-ZP	3.5	70.0	6.9	2.6	PH-2
P0621.039-006-ZP	3.9	6.5	7.5	2.8	PH-2
P0621.039-009-ZP	3.9	9.5	7.5	2.8	PH-2
P0621.039-013-ZP	3.9	13.0	7.5	2.8	PH-2



SELF TAPPERS

Order No.	d ₁	l ₁	d ₂	h ₁ max.	Size
P0621.039-016-ZP	3.9	16.0	7.5	2.8	PH-2
P0621.039-019-ZP	3.9	19.0	7.5	2.8	PH-2
P0621.039-022-ZP	3.9	22.0	7.5	2.8	PH-2
P0621.039-025-ZP	3.9	25.0	7.5	2.8	PH-2
P0621.039-032-ZP	3.9	32.0	7.5	2.8	PH-2
P0621.039-038-ZP	3.9	38.0	7.5	2.8	PH-2
P0621.039-045-ZP	3.9	45.0	7.5	2.8	PH-2
P0621.039-050-ZP	3.9	50.0	7.5	2.8	PH-2
P0621.039-060-ZP	3.9	60.0	7.5	2.8	PH-2
P0621.039-070-ZP	3.9	70.0	7.5	2.8	PH-2
P0621.039-080-ZP	3.9	80.0	7.5	2.8	PH-2
P0621.042-006-ZP	4.2	6.5	8.2	3.05	PH-2
P0621.042-009-ZP	4.2	9.5	8.2	3.05	PH-2
P0621.042-013-ZP	4.2	13.0	8.2	3.05	PH-2
P0621.042-016-ZP	4.2	16.0	8.2	3.05	PH-2
P0621.042-019-ZP	4.2	19.0	8.2	3.05	PH-2
P0621.042-022-ZP	4.2	22.0	8.2	3.05	PH-2
P0621.042-025-ZP	4.2	25.0	8.2	3.05	PH-2
P0621.042-032-ZP	4.2	32.0	8.2	3.05	PH-2
P0621.042-038-ZP	4.2	38.0	8.2	3.05	PH-2
P0621.042-045-ZP	4.2	45.0	8.2	3.05	PH-2
P0621.042-050-ZP	4.2	50.0	8.2	3.05	PH-2
P0621.042-060-ZP	4.2	60.0	8.2	3.05	PH-2
P0621.042-070-ZP	4.2	70.0	8.2	3.05	PH-2
P0621.042-080-ZP	4.2	80.0	8.2	3.05	PH-2
P0621.042-090-ZP	4.2	90.0	8.2	3.05	PH-2
P0621.042-100-ZP	4.2	100.0	8.2	3.05	PH-2
P0621.048-009-ZP	4.8	9.5	9.5	3.55	PH-2
P0621.048-013-ZP	4.8	13.0	9.5	3.55	PH-2
P0621.048-016-ZP	4.8	16.0	9.5	3.55	PH-2
P0621.048-019-ZP	4.8	19.0	9.5	3.55	PH-2
P0621.048-022-ZP	4.8	22.0	9.5	3.55	PH-2
P0621.048-025-ZP	4.8	25.0	9.5	3.55	PH-2
P0621.048-032-ZP	4.8	32.0	9.5	3.55	PH-2
P0621.048-038-ZP	4.8	38.0	9.5	3.55	PH-2
P0621.048-045-ZP	4.8	45.0	9.5	3.55	PH-2
P0621.048-050-ZP	4.8	50.0	9.5	3.55	PH-2
P0621.048-060-ZP	4.8	60.0	9.5	3.55	PH-2
P0621.048-070-ZP	4.8	70.0	9.5	3.55	PH-2
P0621.048-080-ZP	4.8	80.0	9.5	3.55	PH-2
P0621.048-090-ZP	4.8	90.0	9.5	3.55	PH-2
P0621.048-100-ZP	4.8	100.0	9.5	3.55	PH-2
P0621.048-120-ZP	4.8	120.0	9.5	3.55	PH-2
P0621.055-009-ZP	5.5	9.5	10.8	3.95	PH-3
P0621.055-013-ZP	5.5	13.0	10.8	3.95	PH-3
P0621.055-016-ZP	5.5	16.0	10.8	3.95	PH-3
P0621.055-019-ZP	5.5	19.0	10.8	3.95	PH-3
P0621.055-022-ZP	5.5	22.0	10.8	3.95	PH-3
P0621.055-025-ZP	5.5	25.0	10.8	3.95	PH-3
P0621.055-032-ZP	5.5	32.0	10.8	3.95	PH-3
P0621.055-038-ZP	5.5	38.0	10.8	3.95	PH-3
P0621.055-045-ZP	5.5	45.0	10.8	3.95	PH-3
P0621.055-050-ZP	5.5	50.0	10.8	3.95	PH-3
P0621.055-060-ZP	5.5	60.0	10.8	3.95	PH-3
P0621.055-070-ZP	5.5	70.0	10.8	3.95	PH-3
P0621.055-080-ZP	5.5	80.0	10.8	3.95	PH-3
P0621.055-090-ZP	5.5	90.0	10.8	3.95	PH-3
P0621.055-100-ZP	5.5	100.0	10.8	3.95	PH-3
P0621.055-120-ZP	5.5	120.0	10.8	3.95	PH-3
P0621.063-013-ZP	6.3	13.0	12.5	4.55	PH-3
P0621.063-016-ZP	6.3	16.0	12.5	4.55	PH-3
P0621.063-019-ZP	6.3	19.0	12.5	4.55	PH-3
P0621.063-022-ZP	6.3	22.0	12.5	4.55	PH-3
P0621.063-025-ZP	6.3	25.0	12.5	4.55	PH-3
P0621.063-032-ZP	6.3	32.0	12.5	4.55	PH-3
P0621.063-038-ZP	6.3	38.0	12.5	4.55	PH-3
P0621.063-045-ZP	6.3	45.0	12.5	4.55	PH-3
P0621.063-050-ZP	6.3	50.0	12.5	4.55	PH-3



Pan Head Phillips AB Tappers

Phillips AB - steel, zinc-plated



Self Tappers

Order No.	d ₁	l ₁	d ₂	h ₁ max.	Size
P0621.063-060-ZP	6.3	60.0	12.5	4.55	PH-3
P0621.063-070-ZP	6.3	70.0	12.5	4.55	PH-3
P0621.063-080-ZP	6.3	80.0	12.5	4.55	PH-3
P0621.063-090-ZP	6.3	90.0	12.5	4.55	PH-3
P0621.063-100-ZP	6.3	100.0	12.5	4.55	PH-3
P0621.063-120-ZP	6.3	120.0	12.5	4.55	PH-3

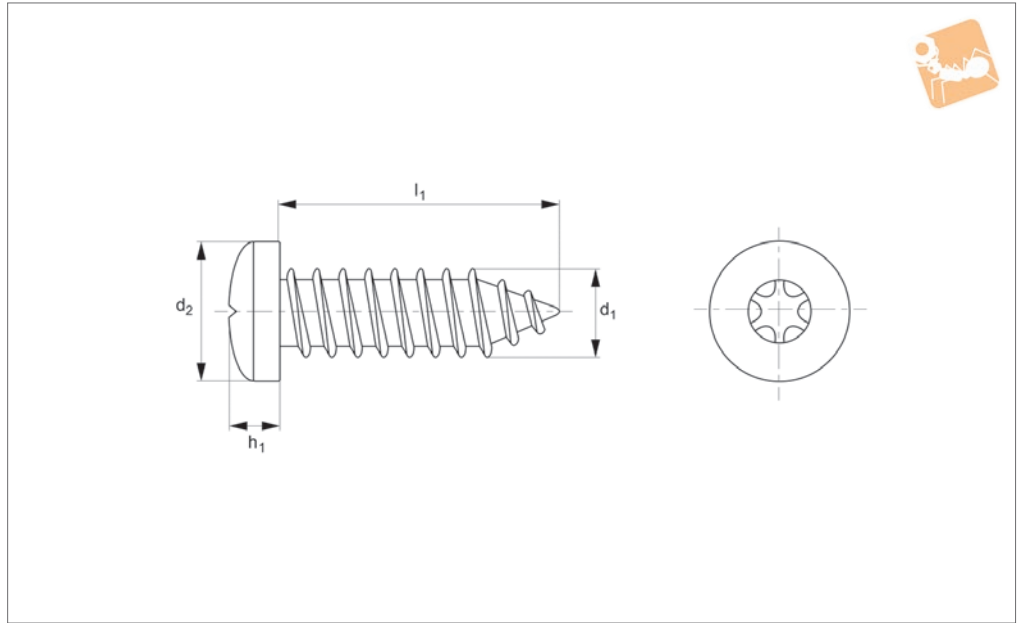
SELF TAPPERS



SELF TAPPERS



P0623.ZP



Material
Steel, zinc-plated.

Technical Notes
To DIN 7981C-TX, ISO 7049 type C.

Order No.	d ₁	l ₁	d ₂	h ₁ max.	Size
P0623.029-006-ZP	2.9	6.5	5.6	2.2	TX-10
P0623.029-009-ZP	2.9	9.5	5.6	2.2	TX-10
P0623.029-013-ZP	2.9	13.0	5.6	2.2	TX-10
P0623.029-016-ZP	2.9	16.0	5.6	2.2	TX-10
P0623.029-019-ZP	2.9	19.0	5.6	2.2	TX-10
P0623.029-022-ZP	2.9	22.0	5.6	2.2	TX-10
P0623.029-025-ZP	2.9	25.0	5.6	2.2	TX-10
P0623.029-032-ZP	2.9	32.0	5.6	2.2	TX-10
P0623.029-038-ZP	2.9	38.0	5.6	2.2	TX-10
P0623.035-009-ZP	3.5	9.5	6.9	2.6	TX-15
P0623.035-013-ZP	3.5	13.0	6.9	2.6	TX-15
P0623.035-016-ZP	3.5	16.0	6.9	2.6	TX-15
P0623.035-019-ZP	3.5	19.0	6.9	2.6	TX-15
P0623.035-022-ZP	3.5	22.0	6.9	2.6	TX-15
P0623.035-025-ZP	3.5	25.0	6.9	2.6	TX-15
P0623.035-032-ZP	3.5	32.0	6.9	2.6	TX-15
P0623.035-038-ZP	3.5	38.0	6.9	2.6	TX-15
P0623.035-045-ZP	3.5	45.0	6.9	2.6	TX-15
P0623.035-050-ZP	3.5	50.0	6.9	2.6	TX-15
P0623.039-009-ZP	3.9	9.5	7.5	2.8	TX-15
P0623.039-013-ZP	3.9	13.0	7.5	2.8	TX-15
P0623.039-016-ZP	3.9	16.0	7.5	2.8	TX-15
P0623.039-019-ZP	3.9	19.0	7.5	2.8	TX-15
P0623.039-022-ZP	3.9	22.0	7.5	2.8	TX-15
P0623.039-025-ZP	3.9	25.0	7.5	2.8	TX-15
P0623.039-032-ZP	3.9	32.0	7.5	2.8	TX-15
P0623.039-038-ZP	3.9	38.0	7.5	2.8	TX-15
P0623.039-045-ZP	3.9	45.0	7.5	2.8	TX-15
P0623.039-050-ZP	3.9	50.0	7.5	2.8	TX-15
P0623.039-060-ZP	3.9	60.0	7.5	2.8	TX-15
P0623.042-009-ZP	4.2	9.5	8.2	3.05	TX-20
P0623.042-013-ZP	4.2	13.0	8.2	3.05	TX-20
P0623.042-016-ZP	4.2	16.0	8.2	3.05	TX-20
P0623.042-019-ZP	4.2	19.0	8.2	3.05	TX-20



Pan Head TX AB Tappers

TX AB - steel, zinc-plated



Self Tappers

Order No.	d ₁	l ₁	d ₂	h ₁ max.	Size
P0623.042-022-ZP	4.2	22.0	8.2	3.05	TX-20
P0623.042-025-ZP	4.2	25.0	8.2	3.05	TX-20
P0623.042-032-ZP	4.2	32.0	8.2	3.05	TX-20
P0623.042-038-ZP	4.2	38.0	8.2	3.05	TX-20
P0623.042-045-ZP	4.2	45.0	8.2	3.05	TX-20
P0623.042-050-ZP	4.2	50.0	8.2	3.05	TX-20
P0623.042-060-ZP	4.2	60.0	8.2	3.05	TX-20
P0623.048-013-ZP	4.8	13.0	9.5	3.55	TX-25
P0623.048-016-ZP	4.8	16.0	9.5	3.55	TX-25
P0623.048-019-ZP	4.8	19.0	9.5	3.55	TX-25
P0623.048-022-ZP	4.8	22.0	9.5	3.55	TX-25
P0623.048-025-ZP	4.8	25.0	9.5	3.55	TX-25
P0623.048-032-ZP	4.8	32.0	9.5	3.55	TX-25
P0623.048-038-ZP	4.8	38.0	9.5	3.55	TX-25
P0623.048-045-ZP	4.8	45.0	9.5	3.55	TX-25
P0623.048-050-ZP	4.8	50.0	9.5	3.55	TX-25
P0623.048-060-ZP	4.8	60.0	9.5	3.55	TX-25
P0623.055-013-ZP	5.5	13.0	10.8	3.95	TX-25
P0623.055-016-ZP	5.5	16.0	10.8	3.95	TX-25
P0623.055-019-ZP	5.5	19.0	10.8	3.95	TX-25
P0623.055-022-ZP	5.5	22.0	10.8	3.95	TX-25
P0623.055-025-ZP	5.5	25.0	10.8	3.95	TX-25
P0623.055-032-ZP	5.5	32.0	10.8	3.95	TX-25
P0623.055-038-ZP	5.5	38.0	10.8	3.95	TX-25
P0623.055-045-ZP	5.5	45.0	10.8	3.95	TX-25
P0623.055-050-ZP	5.5	50.0	10.8	3.95	TX-25
P0623.055-060-ZP	5.5	60.0	10.8	3.95	TX-25
P0623.063-013-ZP	6.3	13.0	12.5	4.55	TX-30
P0623.063-016-ZP	6.3	16.0	12.5	4.55	TX-30
P0623.063-019-ZP	6.3	19.0	12.5	4.55	TX-30
P0623.063-022-ZP	6.3	22.0	12.5	4.55	TX-30
P0623.063-025-ZP	6.3	25.0	12.5	4.55	TX-30
P0623.063-032-ZP	6.3	32.0	12.5	4.55	TX-30
P0623.063-038-ZP	6.3	38.0	12.5	4.55	TX-30
P0623.063-045-ZP	6.3	45.0	12.5	4.55	TX-30
P0623.063-050-ZP	6.3	50.0	12.5	4.55	TX-30
P0623.063-060-ZP	6.3	60.0	12.5	4.55	TX-30

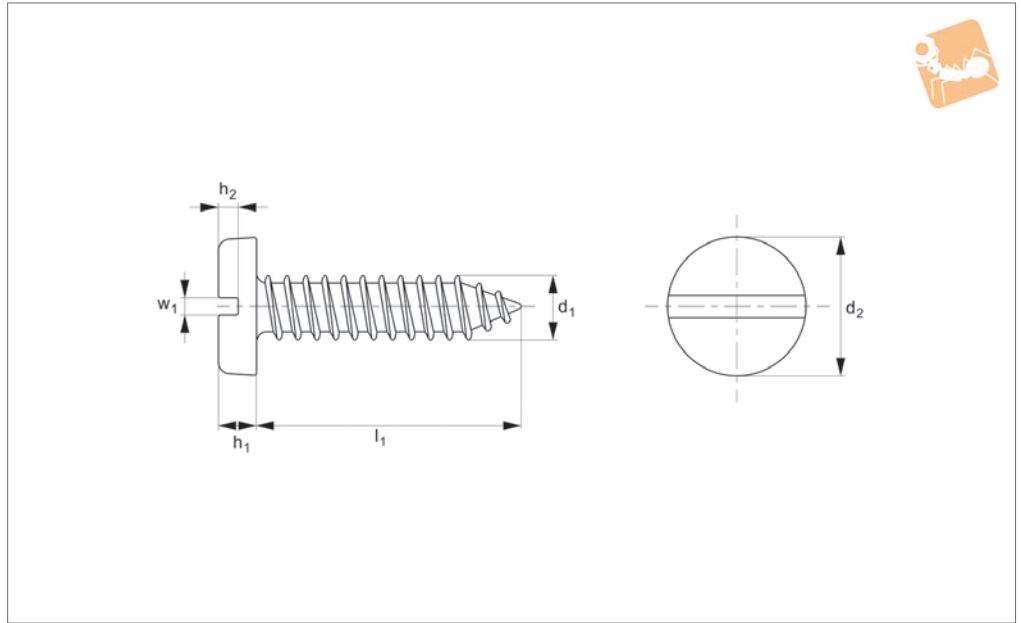
SELF TAPPERS



SELF TAPPERS



P0624.ZP



Material
Steel, zinc-plated.

Technical Notes
To DIN 7971C, ISO 1481 type C.

Order No.	d ₁	l ₁	d ₂	h ₁ max.	h ₂ max.	w ₁
P0624.022-004-ZP	2.2	4.5	4.2	1.35	0.8	0.6
P0624.022-006-ZP	2.2	6.5	4.2	1.35	0.8	0.6
P0624.022-009-ZP	2.2	9.5	4.2	1.35	0.8	0.6
P0624.022-013-ZP	2.2	13.0	4.2	1.35	0.8	0.6
P0624.022-016-ZP	2.2	16.0	4.2	1.35	0.8	0.6
P0624.022-019-ZP	2.2	19.0	4.2	1.35	0.8	0.6
P0624.022-022-ZP	2.2	22.0	4.2	1.35	0.8	0.6
P0624.022-025-ZP	2.2	25.0	4.2	1.35	0.8	0.6
P0624.029-006-ZP	2.9	6.5	5.6	1.75	1.0	0.8
P0624.029-009-ZP	2.9	9.5	5.6	1.75	1.0	0.8
P0624.029-013-ZP	2.9	13.0	5.6	1.75	1.0	0.8
P0624.029-016-ZP	2.9	16.0	5.6	1.75	1.0	0.8
P0624.029-019-ZP	2.9	19.0	5.6	1.75	1.0	0.8
P0624.029-022-ZP	2.9	22.0	5.6	1.75	1.0	0.8
P0624.029-025-ZP	2.9	25.0	5.6	1.75	1.0	0.8
P0624.029-032-ZP	2.9	32.0	5.6	1.75	1.0	0.8
P0624.035-006-ZP	3.5	6.5	6.9	2.1	1.25	1.0
P0624.035-009-ZP	3.5	9.5	6.9	2.1	1.25	1.0
P0624.035-013-ZP	3.5	13.0	6.9	2.1	1.25	1.0
P0624.035-016-ZP	3.5	16.0	6.9	2.1	1.25	1.0
P0624.035-019-ZP	3.5	19.0	6.9	2.1	1.25	1.0
P0624.035-022-ZP	3.5	22.0	6.9	2.1	1.25	1.0
P0624.035-025-ZP	3.5	25.0	6.9	2.1	1.25	1.0
P0624.035-032-ZP	3.5	32.0	6.9	2.1	1.25	1.0
P0624.035-038-ZP	3.5	38.0	6.9	2.1	1.25	1.0
P0624.042-006-ZP	4.2	6.5	8.2	2.45	1.5	1.2
P0624.042-009-ZP	4.2	9.5	8.2	2.45	1.5	1.2
P0624.042-013-ZP	4.2	13.0	8.2	2.45	1.5	1.2
P0624.042-016-ZP	4.2	16.0	8.2	2.45	1.5	1.2
P0624.042-019-ZP	4.2	19.0	8.2	2.45	1.5	1.2
P0624.042-022-ZP	4.2	22.0	8.2	2.45	1.5	1.2
P0624.042-025-ZP	4.2	25.0	8.2	2.45	1.5	1.2
P0624.042-032-ZP	4.2	32.0	8.2	2.45	1.5	1.2
P0624.042-038-ZP	4.2	38.0	8.2	2.45	1.5	1.2



Pan Head Slot AB Tappers

Slot AB - steel, zinc-plated

Self Tappers



Order No.	d ₁	l ₁	d ₂	h ₁ max.	h ₂ max.	w ₁
P0624.042-045-ZP	4.2	45.0	8.2	2.45	1.5	1.2
P0624.042-500-ZP	4.2	50.0	8.2	2.45	1.5	1.2
P0624.048-009-ZP	4.8	9.5	9.5	2.80	1.7	1.2
P0624.048-013-ZP	4.8	13.0	9.5	2.80	1.7	1.2
P0624.048-016-ZP	4.8	16.0	9.5	2.80	1.7	1.2
P0624.048-019-ZP	4.8	19.0	9.5	2.80	1.7	1.2
P0624.048-022-ZP	4.8	22.0	9.5	2.80	1.7	1.2
P0624.048-025-ZP	4.8	25.0	9.5	2.80	1.7	1.2
P0624.048-032-ZP	4.8	32.0	9.5	2.80	1.7	1.2
P0624.048-038-ZP	4.8	38.0	9.5	2.80	1.7	1.2
P0624.048-045-ZP	4.8	45.0	9.5	2.80	1.7	1.2
P0624.048-050-ZP	4.8	50.0	9.5	2.80	1.7	1.2
P0624.048-060-ZP	4.8	60.0	9.5	2.80	1.7	1.2
P0624.048-070-ZP	4.8	70.0	9.5	2.80	1.7	1.2
P0624.048-080-ZP	4.8	80.0	9.5	2.80	1.7	1.2
P0624.055-013-ZP	5.5	13.0	10.8	3.20	1.95	1.6
P0624.055-016-ZP	5.5	16.0	10.8	3.20	1.95	1.6
P0624.055-019-ZP	5.5	19.0	10.8	3.20	1.95	1.6
P0624.055-022-ZP	5.5	22.0	10.8	3.20	1.95	1.6
P0624.055-025-ZP	5.5	25.0	10.8	3.20	1.95	1.6
P0624.055-032-ZP	5.5	32.0	10.8	3.20	1.95	1.6
P0624.055-038-ZP	5.5	38.0	10.8	3.20	1.95	1.6
P0624.055-045-ZP	5.5	45.0	10.8	3.20	1.95	1.6
P0624.055-050-ZP	5.5	50.0	10.8	3.20	1.95	1.6
P0624.055-060-ZP	5.5	60.0	10.8	3.20	1.95	1.6
P0624.055-070-ZP	5.5	70.0	10.8	3.20	1.95	1.6
P0624.055-080-ZP	5.5	80.0	10.8	3.20	1.95	1.6
P0624.063-013-ZP	6.3	13.0	12.5	3.65	2.20	1.6
P0624.063-016-ZP	6.3	16.0	12.5	3.65	2.20	1.6
P0624.063-019-ZP	6.3	19.0	12.5	3.65	2.20	1.6
P0624.063-022-ZP	6.3	22.0	12.5	3.65	2.20	1.6
P0624.063-025-ZP	6.3	25.0	12.5	3.65	2.20	1.6
P0624.063-032-ZP	6.3	32.0	12.5	3.65	2.20	1.6
P0624.063-038-ZP	6.3	38.0	12.5	3.65	2.20	1.6
P0624.063-045-ZP	6.3	45.0	12.5	3.65	2.20	1.6
P0624.063-050-ZP	6.3	50.0	12.5	3.65	2.20	1.6
P0624.063-060-ZP	6.3	60.0	12.5	3.65	2.20	1.6
P0624.063-070-ZP	6.3	70.0	12.5	3.65	2.20	1.6
P0624.063-080-ZP	6.3	80.0	12.5	3.65	2.20	1.6
P0624.039-006-ZP	3.9	6.5	7.5	2.25	1.4	1.0
P0624.039-009-ZP	3.9	9.5	7.5	2.25	1.4	1.0
P0624.039-013-ZP	3.9	13.0	7.5	2.25	1.4	1.0
P0624.039-016-ZP	3.9	16.0	7.5	2.25	1.4	1.0
P0624.039-019-ZP	3.9	19.0	7.5	2.25	1.4	1.0
P0624.039-022-ZP	3.9	22.0	7.5	2.25	1.4	1.0
P0624.039-025-ZP	3.9	25.0	7.5	2.25	1.4	1.0
P0624.039-032-ZP	3.9	32.0	7.5	2.25	1.4	1.0
P0624.039-038-ZP	3.9	38.0	7.5	2.25	1.4	1.0
P0624.039-045-ZP	3.9	45.0	7.5	2.25	1.4	1.0
P0624.039-050-ZP	3.9	50.0	7.5	2.25	1.4	1.0

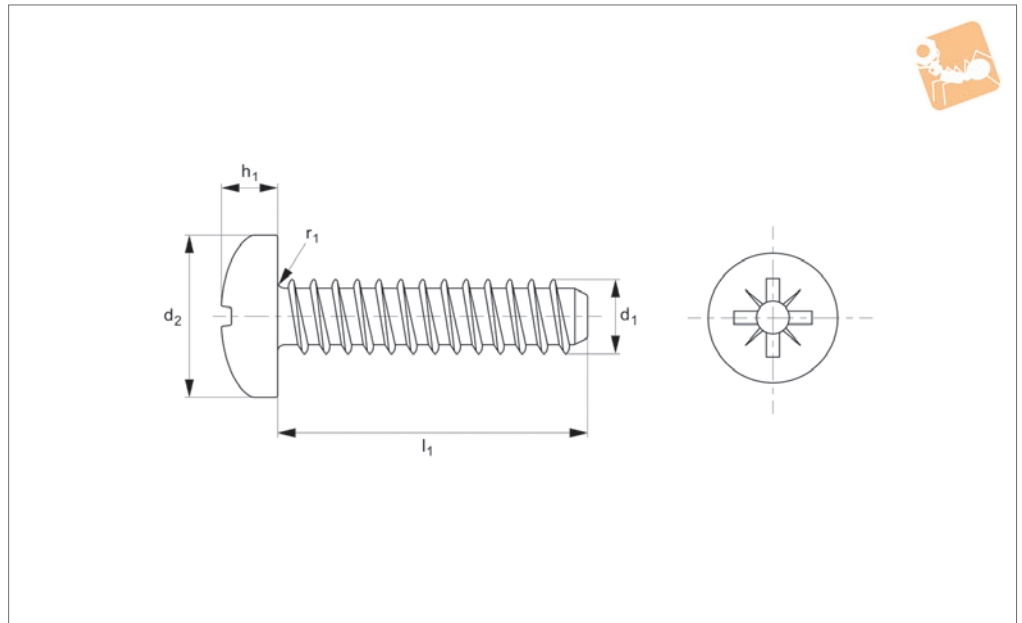
SELF TAPPERS



SELF TAPPERS



P0637.ZP



Material

Steel, zinc-plated.

Technical Notes

To DIN 7981F-Z, ISO 7049 type F (with dog point).

Order No.	d ₁	l ₁	d ₂	h ₁	Size
P0637.022-006-ZP	2.2	6.5	4.2	1.8	PZ-1
P0637.022-009-ZP	2.2	9.5	4.2	1.8	PZ-1
P0637.022-013-ZP	2.2	13.0	4.2	1.8	PZ-1
P0637.022-016-ZP	2.2	16.0	4.2	1.8	PZ-1
P0637.022-019-ZP	2.2	19.0	4.2	1.8	PZ-1
P0637.022-022-ZP	2.2	22.0	4.2	1.8	PZ-1
P0637.022-025-ZP	2.2	25.0	4.2	1.8	PZ-1
P0637.022-032-ZP	2.2	32.0	4.2	1.8	PZ-1
P0637.029-006-ZP	2.9	6.5	5.6	2.2	PZ-1
P0637.029-009-ZP	2.9	9.5	5.6	2.2	PZ-1
P0637.029-013-ZP	2.9	13.0	5.6	2.2	PZ-1
P0637.029-016-ZP	2.9	16.0	5.6	2.2	PZ-1
P0637.029-019-ZP	2.9	19.0	5.6	2.2	PZ-1
P0637.029-022-ZP	2.9	22.0	5.6	2.2	PZ-1
P0637.029-025-ZP	2.9	25.0	5.6	2.2	PZ-1
P0637.029-032-ZP	2.9	32.0	5.6	2.2	PZ-1
P0637.035-006-ZP	3.5	6.5	6.9	2.6	PZ-2
P0637.035-009-ZP	3.5	9.5	6.9	2.6	PZ-2
P0637.035-013-ZP	3.5	13.0	6.9	2.6	PZ-2
P0637.035-016-ZP	3.5	16.0	6.9	2.6	PZ-2
P0637.035-019-ZP	3.5	19.0	6.9	2.6	PZ-2
P0637.035-022-ZP	3.5	22.0	6.9	2.6	PZ-2
P0637.035-025-ZP	3.5	25.0	6.9	2.6	PZ-2
P0637.035-032-ZP	3.5	32.0	6.9	2.6	PZ-2
P0637.035-045-ZP	3.5	45.0	6.9	2.6	PZ-2
P0637.035-050-ZP	3.5	50.0	6.9	2.6	PZ-2
P0637.035-060-ZP	3.5	60.0	6.9	2.6	PZ-2
P0637.039-006-ZP	3.9	6.5	7.5	2.8	PZ-2
P0637.039-009-ZP	3.9	9.5	7.5	2.8	PZ-2
P0637.039-013-ZP	3.9	13.0	7.5	2.8	PZ-2
P0637.039-016-ZP	3.9	16.0	7.5	2.8	PZ-2
P0637.039-019-ZP	3.9	19.0	7.5	2.8	PZ-2
P0637.039-022-ZP	3.9	22.0	7.5	2.8	PZ-2
P0637.039-025-ZP	3.9	25.0	7.5	2.8	PZ-2
P0637.039-032-ZP	3.9	32.0	7.5	2.8	PZ-2



Pan Head Pozi Tappers

Pozi dog point - steel, zinc-plated



Self Tappers

Order No.	d ₁	l ₁	d ₂	h ₁	Size
P0637.039-045-ZP	3.9	45.0	7.5	2.8	PZ-2
P0637.039-050-ZP	3.9	50.0	7.5	2.8	PZ-2
P0637.039-060-ZP	3.9	60.0	7.5	2.8	PZ-2
P0637.039-070-ZP	3.9	70.0	7.5	2.8	PZ-2
P0637.039-080-ZP	3.9	80.0	7.5	2.8	PZ-2
P0637.042-006-ZP	4.2	6.5	8.2	3.05	PZ-2
P0637.042-009-ZP	4.2	9.5	8.2	3.05	PZ-2
P0637.042-013-ZP	4.2	13.0	8.2	3.05	PZ-2
P0637.042-016-ZP	4.2	16.0	8.2	3.05	PZ-2
P0637.042-019-ZP	4.2	19.0	8.2	3.05	PZ-2
P0637.042-022-ZP	4.2	22.0	8.2	3.05	PZ-2
P0637.042-025-ZP	4.2	25.0	8.2	3.05	PZ-2
P0637.042-032-ZP	4.2	32.0	8.2	3.05	PZ-2
P0637.042-045-ZP	4.2	45.0	8.2	3.05	PZ-2
P0637.042-050-ZP	4.2	50.0	8.2	3.05	PZ-2
P0637.042-060-ZP	4.2	60.0	8.2	3.05	PZ-2
P0637.042-070-ZP	4.2	70.0	8.2	3.05	PZ-2
P0637.042-080-ZP	4.2	80.0	8.2	3.05	PZ-2
P0637.048-006-ZP	4.8	6.5	9.5	3.55	PZ-2
P0637.048-009-ZP	4.8	9.5	9.5	3.55	PZ-2
P0637.048-013-ZP	4.8	13.0	9.5	3.55	PZ-2
P0637.048-016-ZP	4.8	16.0	9.5	3.55	PZ-2
P0637.048-019-ZP	4.8	19.0	9.5	3.55	PZ-2
P0637.048-022-ZP	4.8	22.0	9.5	3.55	PZ-2
P0637.048-025-ZP	4.8	25.0	9.5	3.55	PZ-2
P0637.048-032-ZP	4.8	32.0	9.5	3.55	PZ-2
P0637.048-045-ZP	4.8	45.0	9.5	3.55	PZ-2
P0637.048-050-ZP	4.8	50.0	9.5	3.55	PZ-2
P0637.048-060-ZP	4.8	60.0	9.5	3.55	PZ-2
P0637.048-070-ZP	4.8	70.0	9.5	3.55	PZ-2
P0637.048-080-ZP	4.8	80.0	9.5	3.55	PZ-2
P0637.048-090-ZP	4.8	90.0	9.5	3.55	PZ-2
P0637.048-100-ZP	4.8	100.0	9.5	3.55	PZ-2
P0637.055-006-ZP	5.5	6.5	10.8	3.95	PZ-3
P0637.055-009-ZP	5.5	9.5	10.8	3.95	PZ-3
P0637.055-013-ZP	5.5	13.0	10.8	3.95	PZ-3
P0637.055-016-ZP	5.5	16.0	10.8	3.95	PZ-3
P0637.055-019-ZP	5.5	19.0	10.8	3.95	PZ-3
P0637.055-022-ZP	5.5	22.0	10.8	3.95	PZ-3
P0637.055-025-ZP	5.5	25.0	10.8	3.95	PZ-3
P0637.055-032-ZP	5.5	32.0	10.8	3.95	PZ-3
P0637.055-045-ZP	5.5	45.0	10.8	3.95	PZ-3
P0637.055-050-ZP	5.5	50.0	10.8	3.95	PZ-3
P0637.055-060-ZP	5.5	60.0	10.8	3.95	PZ-3
P0637.055-070-ZP	5.5	70.0	10.8	3.95	PZ-3
P0637.055-080-ZP	5.5	80.0	10.8	3.95	PZ-3
P0637.055-090-ZP	5.5	90.0	10.8	3.95	PZ-3
P0637.055-100-ZP	5.5	100.0	10.8	3.95	PZ-3
P0637.063-013-ZP	6.3	13.0	12.5	4.55	PZ-3
P0637.063-016-ZP	6.3	16.0	12.5	4.55	PZ-3
P0637.063-019-ZP	6.3	19.0	12.5	4.55	PZ-3
P0637.063-022-ZP	6.3	22.0	12.5	4.55	PZ-3
P0637.063-025-ZP	6.3	25.0	12.5	4.55	PZ-3
P0637.063-032-ZP	6.3	32.0	12.5	4.55	PZ-3
P0637.063-038-ZP	6.3	38.0	12.5	4.55	PZ-3
P0637.063-045-ZP	6.3	45.0	12.5	4.55	PZ-3
P0637.063-050-ZP	6.3	50.0	12.5	4.55	PZ-3
P0637.063-060-ZP	6.3	60.0	12.5	4.55	PZ-3
P0637.063-070-ZP	6.3	70.0	12.5	4.55	PZ-3
P0637.063-080-ZP	6.3	80.0	12.5	4.55	PZ-3
P0637.063-090-ZP	6.3	90.0	12.5	4.55	PZ-3
P0637.063-100-ZP	6.3	100.0	12.5	4.55	PZ-3

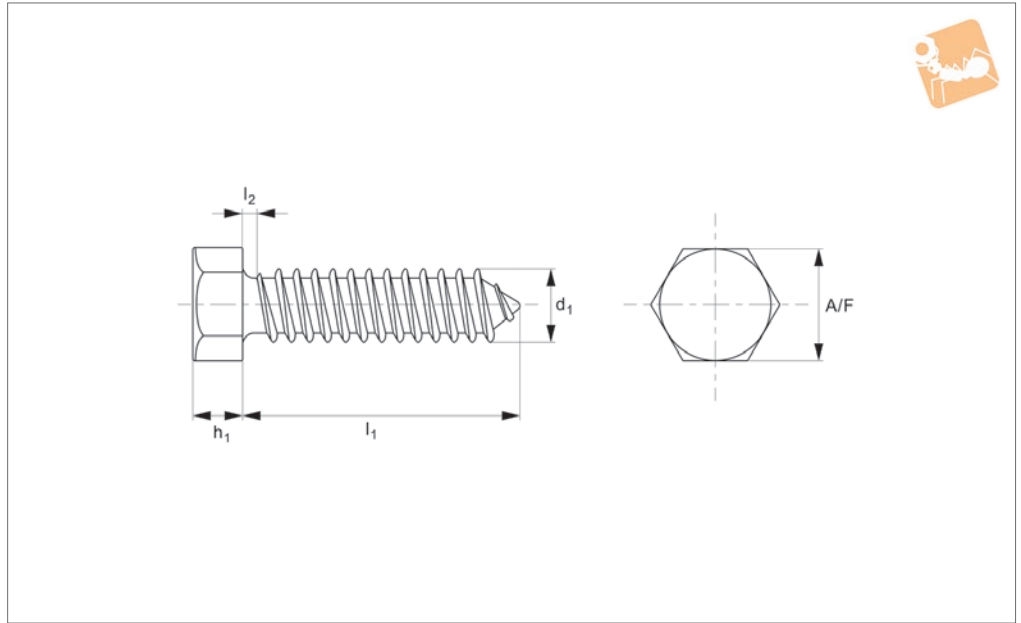
SELF TAPPERS



SELF TAPPERS



P0630.ZP



Material
Steel, zinc-plated.

Technical Notes
To DIN 7976C, ISO 1479 type C.

Order No.	d ₁	l ₁	l ₂	h ₁	A/F
P0630.029-009-ZP	2.9	9.5	1.1	1.5	5
P0630.029-013-ZP	2.9	13.0	1.1	1.5	5
P0630.029-016-ZP	2.9	16.0	1.1	1.5	5
P0630.029-019-ZP	2.9	19.0	1.1	1.5	5
P0630.029-022-ZP	2.9	22.0	1.1	1.5	5
P0630.029-025-ZP	2.9	25.0	1.1	1.5	5
P0630.029-032-ZP	2.9	32.0	1.1	1.5	5
P0630.029-038-ZP	2.9	38.0	1.1	1.5	5
P0630.035-009-ZP	3.5	9.5	1.3	2.3	5.5
P0630.035-013-ZP	3.5	13.0	1.3	2.3	5.5
P0630.035-016-ZP	3.5	16.0	1.3	2.3	5.5
P0630.035-019-ZP	3.5	19.0	1.3	2.3	5.5
P0630.035-022-ZP	3.5	22.0	1.3	2.3	5.5
P0630.035-025-ZP	3.5	25.0	1.3	2.3	5.5
P0630.035-032-ZP	3.5	32.0	1.3	2.3	5.5
P0630.035-038-ZP	3.5	38.0	1.3	2.3	5.5
P0630.035-045-ZP	3.5	45.0	1.3	2.3	5.5
P0630.035-050-ZP	3.5	50.0	1.3	2.3	5.5
P0630.039-009-ZP	3.9	9.5	1.3	2.3	7
P0630.039-013-ZP	3.9	13.0	1.3	2.3	7
P0630.039-016-ZP	3.9	16.0	1.3	2.3	7
P0630.039-019-ZP	3.9	19.0	1.3	2.3	7
P0630.039-022-ZP	3.9	22.0	1.3	2.3	7
P0630.039-025-ZP	3.9	25.0	1.3	2.3	7
P0630.039-032-ZP	3.9	32.0	1.3	2.3	7
P0630.039-038-ZP	3.9	38.0	1.3	2.3	7
P0630.039-045-ZP	3.9	45.0	1.3	2.3	7
P0630.039-050-ZP	3.9	50.0	1.3	2.3	7
P0630.039-055-ZP	3.9	55.0	1.3	2.3	7
P0630.039-060-ZP	3.9	60.0	1.3	2.3	7
P0630.042-009-ZP	4.2	9.5	1.4	2.8	7
P0630.042-013-ZP	4.2	13.0	1.4	2.8	7
P0630.042-016-ZP	4.2	16.0	1.4	2.8	7
P0630.042-019-ZP	4.2	19.0	1.4	2.8	7
P0630.042-022-ZP	4.2	22.0	1.4	2.8	7



Hex Head AB Tappers

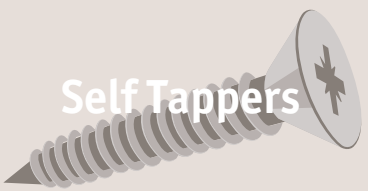
AB Tappers - steel, zinc-plated



Self Tappers

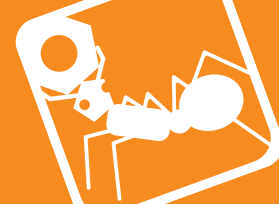
SELF TAPPERS

Order No.	d ₁	l ₁	l ₂	h ₁	A/F
P0630.042-025-ZP	4.2	25.0	1.4	2.8	7
P0630.042-032-ZP	4.2	32.0	1.4	2.8	7
P0630.042-038-ZP	4.2	38.0	1.4	2.8	7
P0630.042-045-ZP	4.2	45.0	1.4	2.8	7
P0630.042-050-ZP	4.2	50.0	1.4	2.8	7
P0630.042-055-ZP	4.2	55.0	1.4	2.8	7
P0630.042-060-ZP	4.2	60.0	1.4	2.8	7
P0630.048-009-ZP	4.8	9.5	1.6	3.0	8
P0630.048-013-ZP	4.8	13.0	1.6	3.0	8
P0630.048-016-ZP	4.8	16.0	1.6	3.0	8
P0630.048-019-ZP	4.8	19.0	1.6	3.0	8
P0630.048-022-ZP	4.8	22.0	1.6	3.0	8
P0630.048-025-ZP	4.8	25.0	1.6	3.0	8
P0630.048-032-ZP	4.8	32.0	1.6	3.0	8
P0630.048-038-ZP	4.8	38.0	1.6	3.0	8
P0630.048-045-ZP	4.8	45.0	1.6	3.0	8
P0630.048-050-ZP	4.8	50.0	1.6	3.0	8
P0630.048-055-ZP	4.8	55.0	1.6	3.0	8
P0630.048-060-ZP	4.8	60.0	1.6	3.0	8
P0630.048-070-ZP	4.8	70.0	1.6	3.0	8
P0630.048-080-ZP	4.8	80.0	1.6	3.0	8
P0630.048-090-ZP	4.8	90.0	1.6	3.0	8
P0630.048-100-ZP	4.8	100.0	1.6	3.0	8
P0630.048-110-ZP	4.8	110.0	1.6	3.0	8
P0630.048-120-ZP	4.8	120.0	1.6	3.0	8
P0630.055-009-ZP	5.5	9.5	1.8	4.0	8
P0630.055-013-ZP	5.5	13.0	1.8	4.0	8
P0630.055-016-ZP	5.5	16.0	1.8	4.0	8
P0630.055-019-ZP	5.5	19.0	1.8	4.0	8
P0630.055-022-ZP	5.5	22.0	1.8	4.0	8
P0630.055-025-ZP	5.5	25.0	1.8	4.0	8
P0630.055-032-ZP	5.5	32.0	1.8	4.0	8
P0630.055-038-ZP	5.5	38.0	1.8	4.0	8
P0630.055-045-ZP	5.5	45.0	1.8	4.0	8
P0630.055-050-ZP	5.5	50.0	1.8	4.0	8
P0630.055-055-ZP	5.5	55.0	1.8	4.0	8
P0630.055-060-ZP	5.5	60.0	1.8	4.0	8
P0630.055-070-ZP	5.5	70.0	1.8	4.0	8
P0630.055-080-ZP	5.5	80.0	1.8	4.0	8
P0630.055-090-ZP	5.5	90.0	1.8	4.0	8
P0630.055-100-ZP	5.5	100.0	1.8	4.0	8
P0630.055-110-ZP	5.5	110.0	1.8	4.0	8
P0630.055-120-ZP	5.5	120.0	1.8	4.0	8
P0630.063-013-ZP	6.3	13.0	1.8	4.8	10
P0630.063-016-ZP	6.3	16.0	1.8	4.8	10
P0630.063-019-ZP	6.3	19.0	1.8	4.8	10
P0630.063-022-ZP	6.3	22.0	1.8	4.8	10
P0630.063-025-ZP	6.3	25.0	1.8	4.8	10
P0630.063-032-ZP	6.3	32.0	1.8	4.8	10
P0630.063-038-ZP	6.3	38.0	1.8	4.8	10
P0630.063-045-ZP	6.3	45.0	1.8	4.8	10
P0630.063-050-ZP	6.3	50.0	1.8	4.8	10
P0630.063-055-ZP	6.3	55.0	1.8	4.8	10
P0630.063-060-ZP	6.3	60.0	1.8	4.8	10
P0630.063-070-ZP	6.3	70.0	1.8	4.8	10
P0630.063-080-ZP	6.3	80.0	1.8	4.8	10
P0630.063-090-ZP	6.3	90.0	1.8	4.8	10
P0630.063-100-ZP	6.3	100.0	1.8	4.8	10
P0630.063-110-ZP	6.3	110.0	1.8	4.8	10
P0630.063-120-ZP	6.3	120.0	1.8	4.8	10
P0630.080-013-ZP	8.0	13.0	2.1	5.8	13
P0630.080-016-ZP	8.0	16.0	2.1	5.8	13
P0630.080-019-ZP	8.0	19.0	2.1	5.8	13
P0630.080-022-ZP	8.0	22.0	2.1	5.8	13
P0630.080-025-ZP	8.0	25.0	2.1	5.8	13
P0630.080-032-ZP	8.0	32.0	2.1	5.8	13
P0630.080-038-ZP	8.0	38.0	2.1	5.8	13
P0630.080-045-ZP	8.0	45.0	2.1	5.8	13
P0630.080-050-ZP	8.0	50.0	2.1	5.8	13



Hex Head AB Tappers

AB Tappers - steel, zinc-plated



Order No.	d ₁	l ₁	l ₂	h ₁	A/F
P0630.080-055-ZP	8.0	55.0	2.1	5.8	13
P0630.080-060-ZP	8.0	60.0	2.1	5.8	13
P0630.080-070-ZP	8.0	70.0	2.1	5.8	13