

P1204

DOWEL PINS

Material

Through hardened and ground steel (100Cr6).

Hardened and tempered to HV 550-650,

HRC 60 ±2.

Technical Notes

To DIN 6325 , ISO 8734.

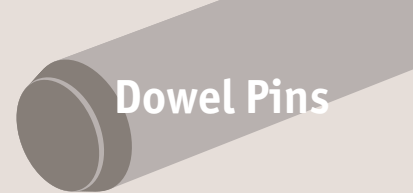
Ground to m6 tolerance on diameter (interference fit).

Order No.	d ₁ m6	l ₁ tol. js14	l ₂	l ₃	Double shear kN
P1204.010-004	1	4	0.12	0.5	1.5
P1204.010-005	1	5	0.12	0.5	1.5
P1204.010-006	1	6	0.12	0.5	1.5
P1204.010-008	1	8	0.12	0.5	1.5
P1204.010-010	1	10	0.12	0.5	1.5
P1204.015-004	1.5	4	0.20	0.6	3.4
P1204.015-005	1.5	5	0.20	0.6	3.4
P1204.015-006	1.5	6	0.20	0.6	3.4
P1204.010-012	1	12	0.12	0.5	1.5
P1204.015-008	1.5	8	0.20	0.6	3.4
P1204.015-010	1.5	10	0.20	0.6	3.4
P1204.015-012	1.5	12	0.20	0.6	3.4
P1204.015-014	1.5	14	0.20	0.6	3.4
P1204.015-016	1.5	16	0.20	0.6	3.4
P1204.020-004	2	4	0.25	0.8	5.5
P1204.020-005	2	5	0.25	0.8	5.5
P1204.020-006	2	6	0.25	0.8	5.5
P1204.020-008	2	8	0.25	0.8	5.5
P1204.020-010	2	10	0.25	0.8	5.5
P1204.020-012	2	12	0.25	0.8	5.5
P1204.020-014	2	14	0.25	0.8	5.5
P1204.020-016	2	16	0.25	0.8	5.5
P1204.020-018	2	18	0.25	0.8	5.5
P1204.020-020	2	20	0.25	0.8	5.5
P1204.020-024	2	24	0.25	0.8	5.5
P1204.025-005	2.5	5	0.3	1	8.0
P1204.025-006	2.5	6	0.3	1	8.0
P1204.025-008	2.5	8	0.3	1	8.0
P1204.025-010	2.5	10	0.3	1	8.0
P1204.025-012	2.5	12	0.3	1	8.0
P1204.025-014	2.5	14	0.3	1	8.0
P1204.025-016	2.5	16	0.3	1	8.0
P1204.025-018	2.5	18	0.3	1	8.0
P1204.025-020	2.5	20	0.3	1	8.0



DOWEL PINS

Order No.	d ₁ m6	l ₁ tol. js14	l ₂	l ₃	Double shear kN
P1204.025-024	2.5	24	0.3	1	8.0
P1204.030-005	3	5	0.4	1.2	13.0
P1204.030-006	3	6	0.4	1.2	13.0
P1204.030-008	3	8	0.4	1.2	13.0
P1204.030-010	3	10	0.4	1.2	13.0
P1204.030-012	3	12	0.4	1.2	13.0
P1204.030-014	3	14	0.4	1.2	13.0
P1204.030-016	3	16	0.4	1.2	13.0
P1204.030-018	3	18	0.4	1.2	13.0
P1204.030-020	3	20	0.4	1.2	13.0
P1204.030-024	3	24	0.4	1.2	13.0
P1204.030-028	3	28	0.4	1.2	13.0
P1204.030-030	3	30	0.4	1.2	13.0
P1204.060-045	6	45	0.8	2.1	53.0
P1204.060-050	6	50	0.8	2.1	53.0
P1204.060-055	6	55	0.8	2.1	53.0
P1204.060-060	6	60	0.8	2.1	53.0
P1204.080-010	8	10	1	2.6	88.0
P1204.080-012	8	12	1	2.6	88.0
P1204.080-014	8	14	1	2.6	88.0
P1204.080-016	8	16	1	2.6	88.0
P1204.080-018	8	18	1	2.6	88.0
P1204.080-020	8	20	1	2.6	88.0
P1204.080-024	8	24	1	2.6	88.0
P1204.080-028	8	28	1	2.6	88.0
P1204.080-030	8	30	1	2.6	88.0
P1204.080-032	8	32	1	2.6	88.0
P1204.080-036	8	36	1	2.6	88.0
P1204.080-040	8	40	1	2.6	88.0
P1204.080-045	8	45	1	2.6	88.0
P1204.080-050	8	50	1	2.6	88.0
P1204.080-055	8	55	1	2.6	88.0
P1204.080-060	8	60	1	2.6	88.0
P1204.080-070	8	70	1	2.6	88.0
P1204.080-080	8	80	1	2.6	88.0
P1204.100-016	10	16	1.2	3	132.0
P1204.100-018	10	18	1.2	3	132.0
P1204.100-020	10	20	1.2	3	132.0
P1204.100-024	10	24	1.2	3	132.0
P1204.100-028	10	28	1.2	3	132.0
P1204.100-030	10	30	1.2	3	132.0
P1204.100-032	10	32	1.2	3	132.0
P1204.100-036	10	36	1.2	3	132.0
P1204.100-040	10	40	1.2	3	132.0
P1204.100-045	10	45	1.2	3	132.0
P1204.100-050	10	50	1.2	3	132.0
P1204.100-055	10	55	1.2	3	132.0
P1204.100-060	10	60	1.2	3	132.0
P1204.100-070	10	70	1.2	3	132.0
P1204.100-080	10	80	1.2	3	132.0
P1204.100-090	10	90	1.2	3	132.0
P1204.100-100	10	100	1.2	3	132.0
P1204.100-110	10	110	1.2	3	132.0
P1204.100-120	10	120	1.2	3	132.0
P1204.120-018	12	18	1.6	3.8	210.0
P1204.120-020	12	20	1.6	3.8	210.0
P1204.120-024	12	24	1.6	3.8	210.0
P1204.120-028	12	28	1.6	3.8	210.0
P1204.120-030	12	30	1.6	3.8	210.0
P1204.120-032	12	32	1.6	3.8	210.0
P1204.120-036	12	36	1.6	3.8	210.0
P1204.120-040	12	40	1.6	3.8	210.0
P1204.120-045	12	45	1.6	3.8	210.0
P1204.120-050	12	50	1.6	3.8	210.0
P1204.120-055	12	55	1.6	3.8	210.0
P1204.120-060	12	60	1.6	3.8	210.0
P1204.120-070	12	70	1.6	3.8	210.0
P1204.120-080	12	80	1.6	3.8	210.0

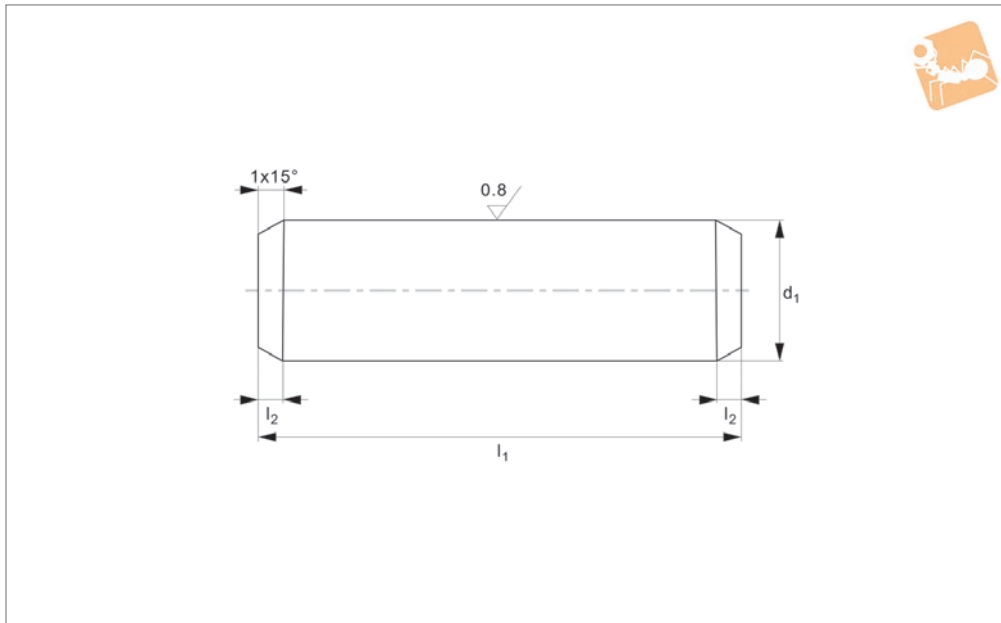
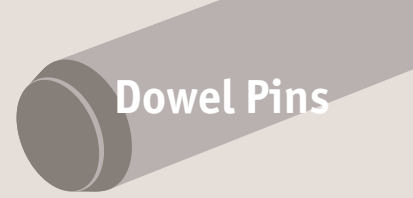


Order No.	d ₁ m6	l ₁ tol. js14	l ₂	l ₃	Double shear kN
P1204.120-090	12	90	1.6	3.8	210.0
P1204.120-100	12	100	1.6	3.8	210.0
P1204.120-110	12	110	1.6	3.8	210.0
P1204.120-120	12	120	1.6	3.8	210.0
P1204.140-028	14	28	1.8	4.2	260.0
P1204.140-030	14	30	1.8	4.2	260.0
P1204.140-032	14	32	1.8	4.2	260.0
P1204.140-036	14	36	1.8	4.2	260.0
P1204.140-040	14	40	1.8	4.2	260.0
P1204.140-045	14	45	1.8	4.2	260.0
P1204.140-050	14	50	1.8	4.2	260.0
P1204.140-055	14	55	1.8	4.2	260.0
P1204.140-060	14	60	1.8	4.2	260.0
P1204.140-070	14	70	1.8	4.2	260.0
P1204.140-080	14	80	1.8	4.2	260.0
P1204.140-090	14	90	1.8	4.2	260.0
P1204.140-100	14	100	1.8	4.2	260.0
P1204.140-110	14	110	1.8	4.2	260.0
P1204.140-120	14	120	1.8	4.2	260.0
P1204.160-028	16	28	2	4.6	350.0
P1204.160-030	16	30	2	4.6	350.0
P1204.160-032	16	32	2	4.6	350.0
P1204.160-036	16	36	2	4.6	350.0
P1204.160-040	16	40	2	4.6	350.0
P1204.160-045	16	45	2	4.6	350.0
P1204.160-050	16	50	2	4.6	350.0
P1204.160-055	16	55	2	4.6	350.0
P1204.160-060	16	60	2	4.6	350.0
P1204.160-070	16	70	2	4.6	350.0
P1204.160-080	16	80	2	4.6	350.0
P1204.160-090	16	90	2	4.6	350.0
P1204.160-100	16	100	2	4.6	350.0
P1204.160-110	16	110	2	4.6	350.0
P1204.160-120	16	120	2	4.6	350.0
P1204.200-032	20	32	2.5	6	485.0
P1204.200-036	20	36	2.5	6	485.0
P1204.200-040	20	40	2.5	6	485.0
P1204.200-045	20	45	2.5	6	485.0
P1204.200-050	20	50	2.5	6	485.0
P1204.200-055	20	55	2.5	6	485.0
P1204.200-060	20	60	2.5	6	485.0
P1204.200-070	20	70	2.5	6	485.0
P1204.200-080	20	80	2.5	6	485.0
P1204.200-090	20	90	2.5	6	485.0
P1204.200-100	20	100	2.5	6	485.0
P1204.200-110	20	110	2.5	6	485.0
P1204.200-120	20	120	2.5	6	485.0
P1204.060-018	6	18	0.8	2.1	53.0
P1204.060-010	6	10	0.8	2.1	53.0
P1204.040-040	4	40	0.5	1.4	22.0
P1204.050-036	5	36	0.63	1.7	31.0
P1204.050-055	5	55	0.63	1.7	31.0
P1204.050-006	5	6	0.63	1.7	31.0
P1204.040-008	4	8	0.5	1.4	22.0
P1204.040-016	4	16	0.5	1.4	22.0
P1204.050-014	5	14	0.63	1.7	31.0
P1204.060-030	6	30	0.8	2.1	53.0
P1204.050-024	5	24	0.63	1.7	31.0
P1204.040-028	4	28	0.5	1.4	22.0
P1204.060-032	6	32	0.8	2.1	53.0
P1204.060-020	6	20	0.8	2.1	53.0
P1204.060-012	6	12	0.8	2.1	53.0
P1204.050-060	5	60	0.63	1.7	31.0
P1204.050-040	5	40	0.63	1.7	31.0
P1204.050-028	5	28	0.63	1.7	31.0
P1204.040-030	4	30	0.5	1.4	22.0
P1204.040-010	4	10	0.5	1.4	22.0
P1204.050-008	5	8	0.63	1.7	31.0



DOWEL PINS

Order No.	d ₁ m6	l ₁ tol. js14	l ₂	l ₃	Double shear kN
P1204.040-018	4	18	0.5	1.4	22.0
P1204.040-045	4	45	0.5	1.4	22.0
P1204.050-016	5	16	0.63	1.7	31.0
P1204.060-024	6	24	0.8	2.1	53.0
P1204.060-036	6	36	0.8	2.1	53.0
P1204.040-032	4	32	0.5	1.4	22.0
P1204.060-014	6	14	0.8	2.1	53.0
P1204.040-020	4	20	0.5	1.4	22.0
P1204.050-018	5	18	0.63	1.7	31.0
P1204.050-010	5	10	0.63	1.7	31.0
P1204.050-030	5	30	0.63	1.7	31.0
P1204.040-012	4	12	0.5	1.4	22.0
P1204.050-045	5	45	0.63	1.7	31.0
P1204.040-050	4	50	0.5	1.4	22.0
P1204.060-040	6	40	0.8	2.1	53.0
P1204.040-014	4	14	0.5	1.4	22.0
P1204.040-006	4	6	0.5	1.4	22.0
P1204.060-028	6	28	0.8	2.1	53.0
P1204.040-024	4	24	0.5	1.4	22.0
P1204.060-016	6	16	0.8	2.1	53.0
P1204.040-036	4	36	0.5	1.4	22.0
P1204.060-008	6	8	0.8	2.1	53.0
P1204.050-050	5	50	0.63	1.7	31.0
P1204.050-032	5	32	0.63	1.7	31.0
P1204.050-012	5	12	0.63	1.7	31.0
P1204.050-020	5	20	0.63	1.7	31.0



P1206

DOWEL PINS

Material

Stainless steel (A2, AISI 303), chamfered end.

3-10mm long - $\pm 0,25$
 12-50mm long - $\pm 0,5$
 over 50mm long - $\pm 0,75$.

(P1207).

It is less resistant to corrosion, but less expensive than the A4 dowel pins.

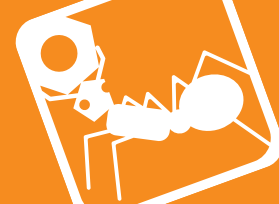
Technical Notes

To ISO 2338A (1997). Ground to m6 on \emptyset .
 l_1 tolerances:

Tips

A2 stainless steel grade is a harder material than the A4 stainless steel dowel pins

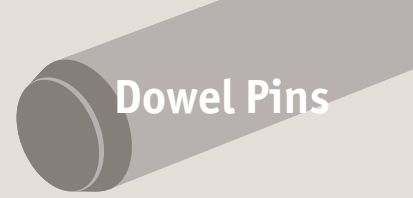
Order No.	d_1 tol. m6	l_1	l_2	Double shear kN
P1206.010-003	1	3	0.2	0.7
P1206.010-004	1	4	0.2	0.7
P1206.010-005	1	5	0.2	0.7
P1206.010-006	1	6	0.2	0.7
P1206.010-008	1	8	0.2	0.7
P1206.010-010	1	10	0.2	0.7
P1206.010-012	1	12	0.2	0.7
P1206.015-003	1.5	3	0.3	1.7
P1206.015-004	1.5	4	0.3	1.7
P1206.015-005	1.5	5	0.3	1.7
P1206.015-006	1.5	6	0.3	1.7
P1206.015-008	1.5	8	0.3	1.7
P1206.015-010	1.5	10	0.3	1.7
P1206.015-012	1.5	12	0.3	1.7
P1206.015-014	1.5	14	0.3	1.7
P1206.015-016	1.5	16	0.3	1.7
P1206.015-018	1.5	18	0.3	1.7
P1206.015-020	1.5	20	0.3	1.7
P1206.015-024	1.5	24	0.3	1.7
P1206.020-004	2	4	0.35	2.9
P1206.020-005	2	5	0.35	2.9
P1206.020-006	2	6	0.35	2.9
P1206.020-008	2	8	0.35	2.9
P1206.020-010	2	10	0.35	2.9
P1206.020-012	2	12	0.35	2.9
P1206.020-014	2	14	0.35	2.9
P1206.020-016	2	16	0.35	2.9
P1206.020-018	2	18	0.35	2.9
P1206.020-020	2	20	0.35	2.9
P1206.020-024	2	24	0.35	2.9
P1206.025-004	2.5	4	0.4	4.4



Order No.	d ₁ tol. m6	l ₁	l ₂	Double shear kN
P1206.025-005	2.5	5	0.4	4.4
P1206.025-006	2.5	6	0.4	4.4
P1206.025-008	2.5	8	0.4	4.4
P1206.025-010	2.5	10	0.4	4.4
P1206.025-012	2.5	12	0.4	4.4
P1206.025-014	2.5	14	0.4	4.4
P1206.025-016	2.5	16	0.4	4.4
P1206.025-018	2.5	18	0.4	4.4
P1206.025-020	2.5	20	0.4	4.4
P1206.025-024	2.5	24	0.4	4.4
P1206.025-028	2.5	28	0.4	4.4
P1206.025-030	2.5	30	0.4	4.4
P1206.030-005	3	5	0.5	6.6
P1206.030-006	3	6	0.5	6.6
P1206.030-008	3	8	0.5	6.6
P1206.030-010	3	10	0.5	6.6
P1206.030-012	3	12	0.5	6.6
P1206.030-014	3	14	0.5	6.6
P1206.030-016	3	16	0.5	6.6
P1206.030-018	3	18	0.5	6.6
P1206.030-020	3	20	0.5	6.6
P1206.030-024	3	24	0.5	6.6
P1206.030-028	3	28	0.5	6.6
P1206.030-030	3	30	0.5	6.6
P1206.030-032	3	32	0.5	6.6
P1206.030-036	3	36	0.5	6.6
P1206.030-040	3	40	0.5	6.6
P1206.030-045	3	45	0.5	6.6
P1206.030-050	3	50	0.5	6.6
P1206.040-005	4	5	0.63	11.7
P1206.040-006	4	6	0.63	11.7
P1206.040-008	4	8	0.63	11.7
P1206.040-010	4	10	0.63	11.7
P1206.040-012	4	12	0.63	11.7
P1206.040-014	4	14	0.63	11.7
P1206.040-016	4	16	0.63	11.7
P1206.040-018	4	18	0.63	11.7
P1206.040-020	4	20	0.63	11.7
P1206.040-024	4	24	0.63	11.7
P1206.040-028	4	28	0.63	11.7
P1206.040-030	4	30	0.63	11.7
P1206.040-032	4	32	0.63	11.7
P1206.040-036	4	36	0.63	11.7
P1206.040-040	4	40	0.63	11.7
P1206.040-045	4	45	0.63	11.7
P1206.040-050	4	50	0.63	11.7
P1206.040-055	4	55	0.63	11.7
P1206.040-060	4	60	0.63	11.7
P1206.050-008	5	8	0.8	18.1
P1206.050-010	5	10	0.8	18.1
P1206.050-012	5	12	0.8	18.1
P1206.050-014	5	14	0.8	18.1
P1206.050-016	5	16	0.8	18.1
P1206.050-018	5	18	0.8	18.1
P1206.050-020	5	20	0.8	18.1
P1206.050-024	5	24	0.8	18.1
P1206.050-028	5	28	0.8	18.1
P1206.050-030	5	30	0.8	18.1
P1206.050-032	5	32	0.8	18.1
P1206.050-036	5	36	0.8	18.1
P1206.050-040	5	40	0.8	18.1
P1206.050-045	5	45	0.8	18.1
P1206.050-050	5	50	0.8	18.1
P1206.050-055	5	55	0.8	18.1
P1206.050-060	5	60	0.8	18.1
P1206.060-010	6	10	1.2	26.0
P1206.060-012	6	12	1.2	26.0
P1206.060-014	6	14	1.2	26.0



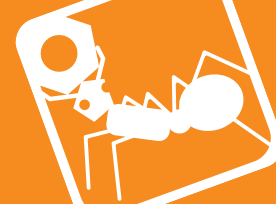
Stainless Dowel Pins A2 stainless



Dowel Pins

Order No.	d ₁ tol. m6	l ₁	l ₂	Double shear kN
P1206.060-016	6	16	1.2	26.0
P1206.060-018	6	18	1.2	26.0
P1206.060-020	6	20	1.2	26.0
P1206.060-024	6	24	1.2	26.0
P1206.060-028	6	28	1.2	26.0
P1206.060-030	6	30	1.2	26.0
P1206.060-032	6	32	1.2	26.0
P1206.060-036	6	36	1.2	26.0
P1206.060-040	6	40	1.2	26.0
P1206.060-045	6	45	1.2	26.0
P1206.060-050	6	50	1.2	26.0
P1206.060-055	6	55	1.2	26.0
P1206.060-060	6	60	1.2	26.0
P1206.060-070	6	70	1.2	26.0
P1206.060-080	6	80	1.2	26.0
P1206.080-010	8	10	1.6	47.0
P1206.080-012	8	12	1.6	47.0
P1206.080-014	8	14	1.6	47.0
P1206.080-016	8	16	1.6	47.0
P1206.080-018	8	18	1.6	47.0
P1206.080-020	8	20	1.6	47.0
P1206.080-024	8	24	1.6	47.0
P1206.080-028	8	28	1.6	47.0
P1206.080-030	8	30	1.6	47.0
P1206.080-032	8	32	1.6	47.0
P1206.080-036	8	36	1.6	47.0
P1206.080-040	8	40	1.6	47.0
P1206.080-045	8	45	1.6	47.0
P1206.080-050	8	50	1.6	47.0
P1206.080-055	8	55	1.6	47.0
P1206.080-060	8	60	1.6	47.0
P1206.080-070	8	70	1.6	47.0
P1206.080-080	8	80	1.6	47.0
P1206.080-090	8	90	1.6	47.0
P1206.080-100	8	100	1.6	47.0
P1206.080-120	8	120	1.6	47.0
P1206.100-012	10	12	2.0	64.1
P1206.100-014	10	14	2.0	64.1
P1206.100-016	10	16	2.0	64.1
P1206.100-018	10	18	2.0	64.1
P1206.100-020	10	20	2.0	64.1
P1206.100-024	10	24	2.0	64.1
P1206.100-028	10	28	2.0	64.1
P1206.100-030	10	30	2.0	64.1
P1206.100-032	10	32	2.0	64.1
P1206.100-036	10	36	2.0	64.1
P1206.100-040	10	40	2.0	64.1
P1206.100-045	10	45	2.0	64.1
P1206.100-050	10	50	2.0	64.1
P1206.100-055	10	55	2.0	64.1
P1206.100-060	10	60	2.0	64.1
P1206.100-065	10	65	2.0	64.1
P1206.100-070	10	70	2.0	64.1
P1206.100-080	10	80	2.0	64.1
P1206.100-090	10	90	2.0	64.1
P1206.100-100	10	100	2.0	64.1
P1206.100-120	10	120	2.0	64.1
P1206.120-016	12	16	2.5	92.0
P1206.120-018	12	18	2.5	92.0
P1206.120-020	12	20	2.5	92.0
P1206.120-024	12	24	2.5	92.0
P1206.120-028	12	28	2.5	92.0
P1206.120-030	12	30	2.5	92.0
P1206.120-032	12	32	2.5	92.0
P1206.120-036	12	36	2.5	92.0
P1206.120-040	12	40	2.5	92.0
P1206.120-045	12	45	2.5	92.0
P1206.120-050	12	50	2.5	92.0

DOWEL PINS



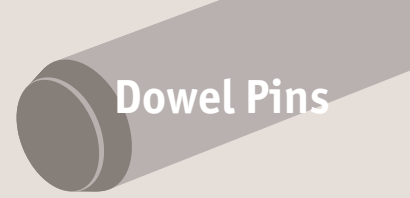
DOWEL PINS

Order No.	d ₁ tol. m6	l ₁	l ₂	Double shear kN
P1206.120-055	12	55	2.5	92.0
P1206.120-060	12	60	2.5	92.0
P1206.120-070	12	70	2.5	92.0
P1206.120-080	12	80	2.5	92.0
P1206.120-090	12	90	2.5	92.0
P1206.120-100	12	100	2.5	92.0
P1206.120-120	12	120	2.5	92.0
P1206.160-024	16	24	3.0	160.0
P1206.160-028	16	28	3.0	160.0
P1206.160-030	16	30	3.0	160.0
P1206.160-032	16	32	3.0	160.0
P1206.160-036	16	36	3.0	160.0
P1206.160-040	16	40	3.0	160.0
P1206.160-045	16	45	3.0	160.0
P1206.160-050	16	50	3.0	160.0
P1206.160-055	16	55	3.0	160.0
P1206.160-060	16	60	3.0	160.0
P1206.160-070	16	70	3.0	160.0
P1206.160-080	16	80	3.0	160.0
P1206.160-090	16	90	3.0	160.0
P1206.160-100	16	100	3.0	160.0
P1206.160-120	16	120	3.0	160.0

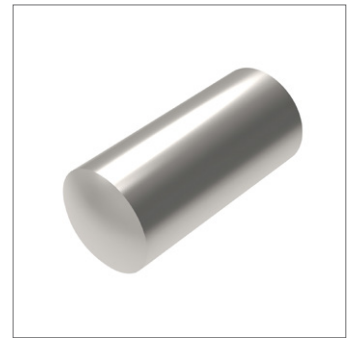
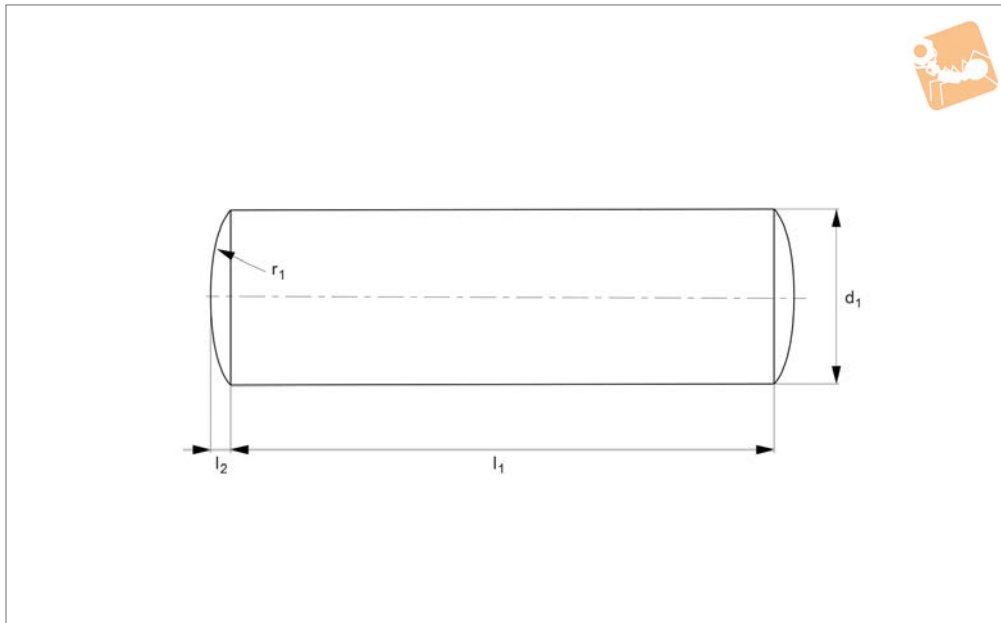


Stainless Dowel Pins

A4 stainless



Dowel Pins



P1207

DOWEL PINS

Material

Stainless steel (A4, AISI 316), rounded end.

Technical Notes

To DIN 7. Ground to m6 on \emptyset (h8 over \emptyset 16mm).

Note: overall length is greater than nominal length (note dimension l_2).

l_1 tolerances:

3-10mm long - +0.3,-0

12-50mm long - +0.5,-0

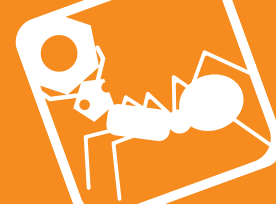
over 50mm long - +0.5,-0.

Tips

A4 stainless steel grade is a softer material than the A2 stainless steel dowel pins (part no. P1206).

It is more resistant to corrosion, and more expensive than the A2 grade dowel pins.

Order No.	d_1 tol. m6	l_1	l_2	r_1	Double shear kN
P1207.010-003	1	3	0.15	1	0.7
P1207.010-004	1	4	0.15	1	0.7
P1207.010-005	1	5	0.15	1	0.7
P1207.010-006	1	6	0.15	1	0.7
P1207.010-008	1	8	0.15	1	0.7
P1207.010-010	1	10	0.15	1	0.7
P1207.010-012	1	12	0.15	1	0.7
P1207.010-014	1	14	0.15	1	0.7
P1207.010-016	1	16	0.15	1	0.7
P1207.015-003	1.5	3	0.23	1.6	1.7
P1207.015-004	1.5	4	0.23	1.6	1.7
P1207.015-005	1.5	5	0.23	1.6	1.7
P1207.015-006	1.5	6	0.23	1.6	1.7
P1207.015-008	1.5	8	0.23	1.6	1.7
P1207.015-010	1.5	10	0.23	1.6	1.7
P1207.015-012	1.5	12	0.23	1.6	1.7
P1207.015-014	1.5	14	0.23	1.6	1.7
P1207.015-016	1.5	16	0.23	1.6	1.7
P1207.015-018	1.5	18	0.23	1.6	1.7
P1207.015-020	1.5	20	0.23	1.6	1.7
P1207.015-024	1.5	24	0.23	1.6	1.7
P1207.020-004	2	4	0.3	2	2.9
P1207.020-005	2	5	0.3	2	2.9
P1207.020-006	2	6	0.3	2	2.9
P1207.020-008	2	8	0.3	2	2.9
P1207.020-010	2	10	0.3	2	2.9
P1207.020-012	2	12	0.3	2	2.9
P1207.020-014	2	14	0.3	2	2.9
P1207.020-016	2	16	0.3	2	2.9
P1207.020-018	2	18	0.3	2	2.9
P1207.020-020	2	20	0.3	2	2.9

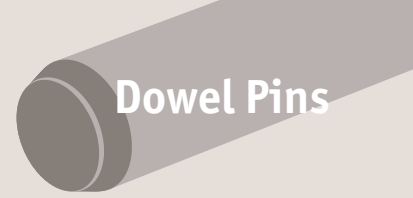


Order No.	d ₁ tol. m6	l ₁	l ₂	r ₁	Double shear kN
P1207.020-024	2	24	0.3	2	2.9
P1207.025-004	2.5	4	0.4	2.5	4.4
P1207.025-005	2.5	5	0.4	2.5	4.4
P1207.025-006	2.5	6	0.4	2.5	4.4
P1207.025-008	2.5	8	0.4	2.5	4.4
P1207.025-010	2.5	10	0.4	2.5	4.4
P1207.025-012	2.5	12	0.4	2.5	4.4
P1207.025-014	2.5	14	0.4	2.5	4.4
P1207.025-016	2.5	16	0.4	2.5	4.4
P1207.025-018	2.5	18	0.4	2.5	4.4
P1207.025-020	2.5	20	0.4	2.5	4.4
P1207.025-024	2.5	24	0.4	2.5	4.4
P1207.025-028	2.5	28	0.4	2.5	4.4
P1207.030-005	3	5	0.45	3	6.6
P1207.030-006	3	6	0.45	3	6.6
P1207.030-008	3	8	0.45	3	6.6
P1207.030-010	3	10	0.45	3	6.6
P1207.030-012	3	12	0.45	3	6.6
P1207.030-014	3	14	0.45	3	6.6
P1207.030-016	3	16	0.45	3	6.6
P1207.030-018	3	18	0.45	3	6.6
P1207.030-020	3	20	0.45	3	6.6
P1207.030-024	3	24	0.45	3	6.6
P1207.030-028	3	28	0.45	3	6.6
P1207.030-032	3	32	0.45	3	6.6
P1207.030-036	3	36	0.45	3	6.6
P1207.030-040	3	40	0.45	3	6.6
P1207.040-005	4	5	0.6	4	11.7
P1207.040-006	4	6	0.6	4	11.7
P1207.040-008	4	8	0.6	4	11.7
P1207.040-010	4	10	0.6	4	11.7
P1207.040-012	4	12	0.6	4	11.7
P1207.040-014	4	14	0.6	4	11.7
P1207.040-016	4	16	0.6	4	11.7
P1207.040-018	4	18	0.6	4	11.7
P1207.040-020	4	20	0.6	4	11.7
P1207.040-024	4	24	0.6	4	11.7
P1207.040-028	4	28	0.6	4	11.7
P1207.040-032	4	32	0.6	4	11.7
P1207.040-036	4	36	0.6	4	11.7
P1207.040-040	4	40	0.6	4	11.7
P1207.050-006	5	6	0.75	5	18.1
P1207.050-008	5	8	0.75	5	18.1
P1207.050-010	5	10	0.75	5	18.1
P1207.050-012	5	12	0.75	5	18.1
P1207.050-014	5	14	0.75	5	18.1
P1207.050-016	5	16	0.75	5	18.1
P1207.050-018	5	18	0.75	5	18.1
P1207.050-020	5	20	0.75	5	18.1
P1207.050-024	5	24	0.75	5	18.1
P1207.050-028	5	28	0.75	5	18.1
P1207.050-032	5	32	0.75	5	18.1
P1207.050-036	5	36	0.75	5	18.1
P1207.050-040	5	40	0.75	5	18.1
P1207.050-045	5	45	0.75	5	18.1
P1207.050-050	5	50	0.75	5	18.1
P1207.050-060	5	60	0.75	5	18.1
P1207.060-008	6	8	0.9	6	26.0
P1207.060-010	6	10	0.9	6	26.0
P1207.060-012	6	12	0.9	6	26.0
P1207.060-014	6	14	0.9	6	26.0
P1207.060-016	6	16	0.9	6	26.0
P1207.060-018	6	18	0.9	6	26.0
P1207.060-020	6	20	0.9	6	26.0
P1207.060-024	6	24	0.9	6	26.0
P1207.060-028	6	28	0.9	6	26.0
P1207.060-030	6	30	0.9	6	26.0
P1207.060-032	6	32	0.9	6	26.0



Stainless Dowel Pins

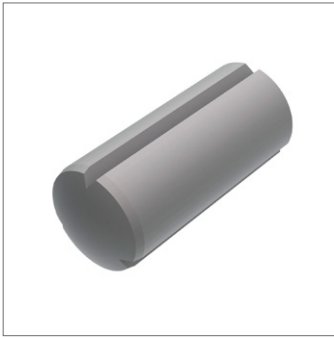
A4 stainless



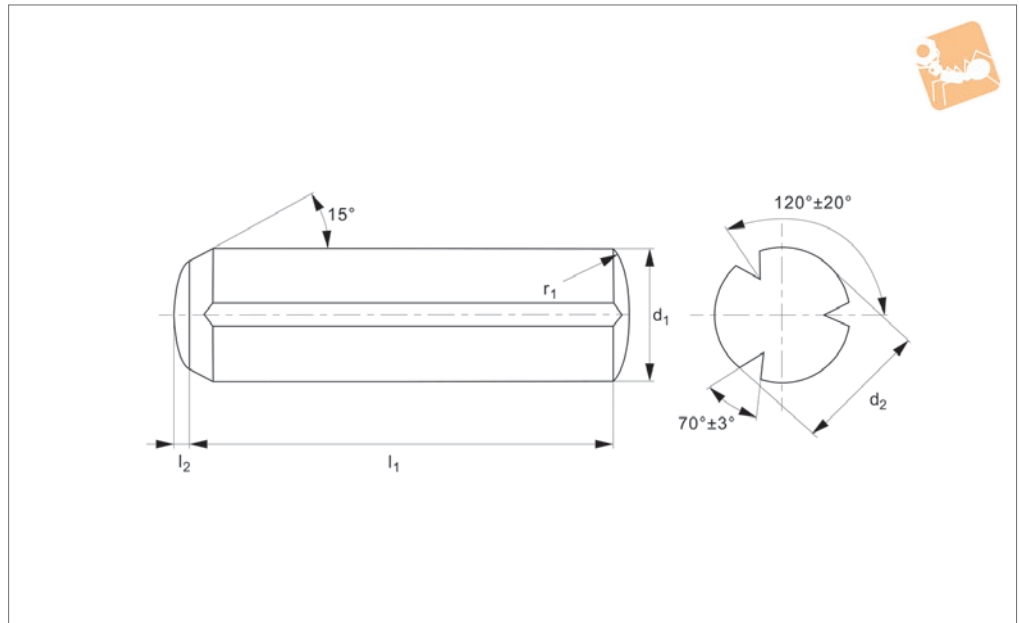
Dowel Pins

Order No.	d ₁ tol. m6	l ₁	l ₂	r ₁	Double shear kN
P1207.060-036	6	36	0.9	6	26.0
P1207.060-040	6	40	0.9	6	26.0
P1207.060-045	6	45	0.9	6	26.0
P1207.060-050	6	50	0.9	6	26.0
P1207.060-055	6	55	0.9	6	26.0
P1207.060-060	6	60	0.9	6	26.0
P1207.060-070	6	70	0.9	6	26.0
P1207.060-080	6	80	0.9	6	26.0
P1207.080-008	8	8	1.2	8	47.0
P1207.080-010	8	10	1.2	8	47.0
P1207.080-012	8	12	1.2	8	47.0
P1207.080-014	8	14	1.2	8	47.0
P1207.080-016	8	16	1.2	8	47.0
P1207.080-018	8	18	1.2	8	47.0
P1207.080-020	8	20	1.2	8	47.0
P1207.080-024	8	24	1.2	8	47.0
P1207.080-028	8	28	1.2	8	47.0
P1207.080-030	8	30	1.2	8	47.0
P1207.080-032	8	32	1.2	8	47.0
P1207.080-036	8	36	1.2	8	47.0
P1207.080-040	8	40	1.2	8	47.0
P1207.080-045	8	45	1.2	8	47.0
P1207.080-050	8	50	1.2	8	47.0
P1207.080-055	8	55	1.2	8	47.0
P1207.080-060	8	60	1.2	8	47.0
P1207.080-070	8	70	1.2	8	47.0
P1207.080-080	8	80	1.2	8	47.0
P1207.080-090	8	90	1.2	8	47.0
P1207.080-100	8	100	1.2	8	47.0
P1207.080-110	8	110	1.2	8	47.0
P1207.080-120	8	120	1.2	8	47.0
P1207.100-014	10	14	1.5	10	64.1
P1207.100-016	10	16	1.5	10	64.1
P1207.100-018	10	18	1.5	10	64.1
P1207.100-020	10	20	1.5	10	64.1
P1207.100-024	10	24	1.5	10	64.1
P1207.100-028	10	28	1.5	10	64.1
P1207.100-030	10	30	1.5	10	64.1
P1207.100-032	10	32	1.5	10	64.1
P1207.100-036	10	36	1.5	10	64.1
P1207.100-040	10	40	1.5	10	64.1
P1207.100-045	10	45	1.5	10	64.1
P1207.100-050	10	50	1.5	10	64.1
P1207.100-055	10	55	1.5	10	64.1
P1207.100-060	10	60	1.5	10	64.1
P1207.100-070	10	70	1.5	10	64.1
P1207.100-080	10	80	1.5	10	64.1
P1207.100-090	10	90	1.5	10	64.1
P1207.100-100	10	100	1.5	10	64.1
P1207.100-110	10	110	1.5	10	64.1
P1207.100-120	10	120	1.5	10	64.1
P1207.120-024	12	24	1.8	12	92.0
P1207.120-028	12	28	1.8	12	92.0
P1207.120-030	12	30	1.8	12	92.0
P1207.120-032	12	32	1.8	12	92.0
P1207.120-036	12	36	1.8	12	92.0
P1207.120-040	12	40	1.8	12	92.0
P1207.120-045	12	45	1.8	12	92.0
P1207.120-050	12	50	1.8	12	92.0
P1207.120-055	12	55	1.8	12	92.0
P1207.120-060	12	60	1.8	12	92.0
P1207.120-070	12	70	1.8	12	92.0
P1207.120-080	12	80	1.8	12	92.0
P1207.120-090	12	90	1.8	12	92.0
P1207.120-100	12	100	1.8	12	92.0
P1207.120-110	12	110	1.8	12	92.0
P1207.120-120	12	120	1.8	12	92.0

DOWEL PINS



P1208



Material

Mild steel (WS 1,0718, 9SMnPb28).

Technical Notes

To DIN 1473 (GP 3, similar to ISO 8740).

Full length grooves.

Diameters tolerance: under $\varnothing 4$ h9, over $\varnothing 4$ tolerance h11.

Nominal length l_1 does not include radiused ends.

Tips

Three swaged grooves at 120° pitch all along the length.

When the pin is driven into the drilled hole

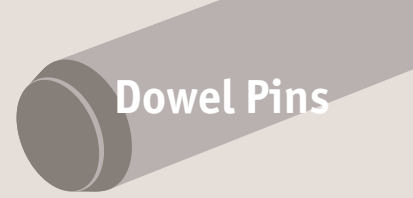
the material displaced is forced back, to close up the groove and lock the pin into place. Allows the use of non precision holes.

Used to fix two or more components together with maximum rigidity.

Order No.	d_1 tol. h9/h11	l_1 tol. js15	l_2	d_2 over grooves	Hole min.	Hole max.	Double shear kN
P1208.010-004	1.0	4	0.14	1.05	1.0	1.025	0.7
P1208.010-005	1.0	5	0.14	1.05	1.0	1.025	0.7
P1208.010-006	1.0	6	0.14	1.05	1.0	1.025	0.7
P1208.010-008	1.0	8	0.14	1.05	1.0	1.025	0.7
P1208.012-004	1.2	4	0.16	1.25	1.2	1.225	1.0
P1208.012-005	1.2	5	0.16	1.25	1.2	1.225	1.0
P1208.012-006	1.2	6	0.16	1.25	1.2	1.225	1.0
P1208.012-008	1.2	8	0.16	1.25	1.2	1.225	1.0
P1208.015-004	1.5	4	0.20	1.60	1.5	1.525	1.6
P1208.015-005	1.5	5	0.20	1.60	1.5	1.525	1.6
P1208.015-006	1.5	6	0.20	1.60	1.5	1.525	1.6
P1208.015-008	1.5	8	0.20	1.60	1.5	1.525	1.6
P1208.015-010	1.5	10	0.20	1.60	1.5	1.525	1.6
P1208.015-012	1.5	12	0.20	1.60	1.5	1.525	1.6
P1208.015-014	1.5	14	0.20	1.60	1.5	1.525	1.6
P1208.015-016	1.5	16	0.20	1.60	1.5	1.525	1.6
P1208.015-018	1.5	18	0.20	1.60	1.5	1.525	1.6
P1208.015-020	1.5	20	0.20	1.60	1.5	1.525	1.6
P1208.020-004	2.0	4	0.25	2.15	2.0	2.025	2.85
P1208.020-005	2.0	5	0.25	2.15	2.0	2.025	2.85
P1208.020-006	2.0	6	0.25	2.15	2.0	2.025	2.85
P1208.020-008	2.0	8	0.25	2.15	2.0	2.025	2.85
P1208.020-010	2.0	10	0.25	2.15	2.0	2.025	2.85
P1208.020-012	2.0	12	0.25	2.15	2.0	2.025	2.85
P1208.020-014	2.0	14	0.25	2.15	2.0	2.025	2.85
P1208.020-016	2.0	16	0.25	2.15	2.0	2.025	2.85
P1208.020-018	2.0	18	0.25	2.15	2.0	2.025	2.85
P1208.020-020	2.0	20	0.25	2.15	2.0	2.025	2.85
P1208.020-024	2.0	24	0.25	2.15	2.0	2.025	2.85
P1208.020-026	2.0	26	0.25	2.15	2.0	2.025	2.85



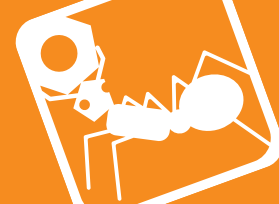
Steel Grooved Pins



Dowel Pins

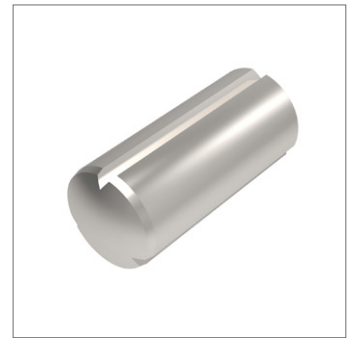
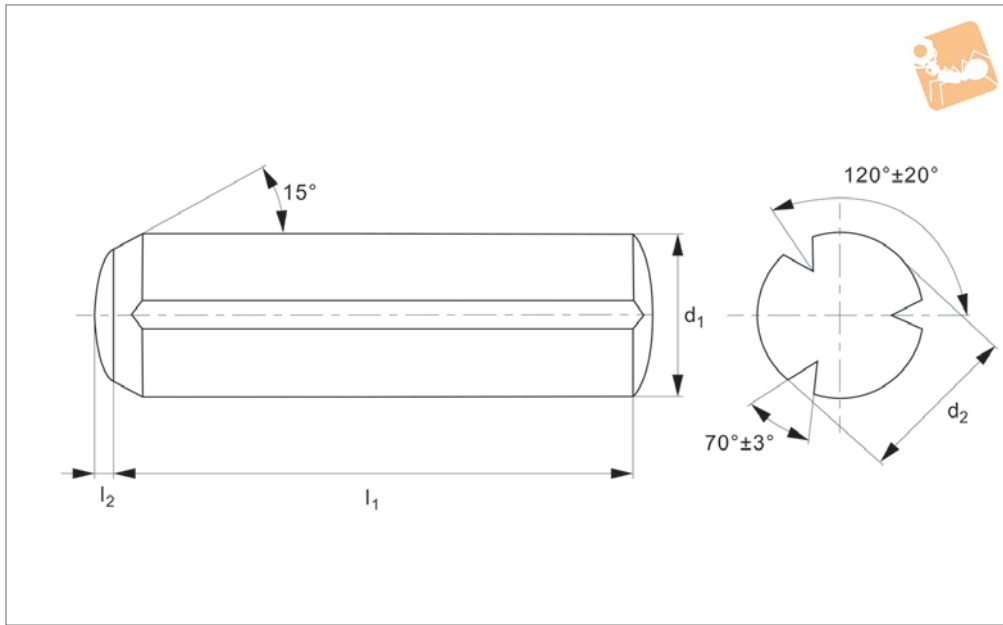
Order No.	d ₁ tol. h9/h11	l ₁ tol. js15	l ₂	d ₂ over grooves	Hole min.	Hole max.	Double shear kN
P1208.020-028	2.0	28	0.25	2.15	2.0	2.025	2.85
P1208.020-030	2.0	30	0.25	2.15	2.0	2.025	2.85
P1208.025-006	2.5	6	0.30	2.65	2.5	2.525	4.25
P1208.025-008	2.5	8	0.30	2.65	2.5	2.525	4.25
P1208.025-010	2.5	10	0.30	2.65	2.5	2.525	4.25
P1208.025-012	2.5	12	0.30	2.65	2.5	2.525	4.25
P1208.025-014	2.5	14	0.30	2.65	2.5	2.525	4.25
P1208.025-016	2.5	16	0.30	2.65	2.5	2.525	4.25
P1208.025-018	2.5	18	0.30	2.65	2.5	2.525	4.25
P1208.025-020	2.5	20	0.30	2.65	2.5	2.525	4.25
P1208.025-024	2.5	24	0.30	2.65	2.5	2.525	4.25
P1208.025-026	2.5	26	0.30	2.65	2.5	2.525	4.25
P1208.025-028	2.5	28	0.30	2.65	2.5	2.525	4.25
P1208.025-030	2.5	30	0.30	2.65	2.5	2.525	4.25
P1208.030-006	3.0	6	0.40	3.20	3.0	3.025	6.15
P1208.030-008	3.0	8	0.40	3.20	3.0	3.025	6.15
P1208.030-010	3.0	10	0.40	3.20	3.0	3.025	6.15
P1208.030-012	3.0	12	0.40	3.20	3.0	3.025	6.15
P1208.030-014	3.0	14	0.40	3.20	3.0	3.025	6.15
P1208.030-016	3.0	16	0.40	3.20	3.0	3.025	6.15
P1208.030-018	3.0	18	0.40	3.20	3.0	3.025	6.15
P1208.030-020	3.0	20	0.40	3.20	3.0	3.025	6.15
P1208.030-024	3.0	24	0.40	3.20	3.0	3.025	6.15
P1208.030-026	3.0	26	0.40	3.20	3.0	3.025	6.15
P1208.030-028	3.0	28	0.40	3.20	3.0	3.025	6.15
P1208.030-030	3.0	30	0.40	3.20	3.0	3.025	6.15
P1208.040-006	4.0	6	0.50	4.25	4.0	4.075	10.6
P1208.040-008	4.0	8	0.50	4.25	4.0	4.075	10.6
P1208.040-010	4.0	10	0.50	4.25	4.0	4.075	10.6
P1208.040-012	4.0	12	0.50	4.25	4.0	4.075	10.6
P1208.040-014	4.0	14	0.50	4.25	4.0	4.075	10.6
P1208.040-016	4.0	16	0.50	4.25	4.0	4.075	10.6
P1208.040-018	4.0	18	0.50	4.25	4.0	4.075	10.6
P1208.040-020	4.0	20	0.50	4.25	4.0	4.075	10.6
P1208.040-024	4.0	24	0.50	4.25	4.0	4.075	10.6
P1208.040-026	4.0	26	0.50	4.25	4.0	4.075	10.6
P1208.040-028	4.0	28	0.50	4.25	4.0	4.075	10.6
P1208.040-030	4.0	30	0.50	4.25	4.0	4.075	10.6
P1208.040-032	4.0	32	0.50	4.25	4.0	4.075	10.6
P1208.040-036	4.0	36	0.50	4.25	4.0	4.075	10.6
P1208.040-040	4.0	40	0.50	4.25	4.0	4.075	10.6
P1208.040-045	4.0	45	0.50	4.25	4.0	4.075	10.6
P1208.040-050	4.0	50	0.50	4.25	4.0	4.075	10.6
P1208.050-008	5.0	8	0.60	5.25	5.0	5.075	16.5
P1208.050-010	5.0	10	0.60	5.25	5.0	5.075	16.5
P1208.050-012	5.0	12	0.60	5.25	5.0	5.075	16.5
P1208.050-014	5.0	14	0.60	5.25	5.0	5.075	16.5
P1208.050-016	5.0	16	0.60	5.25	5.0	5.075	16.5
P1208.050-018	5.0	18	0.60	5.25	5.0	5.075	16.5
P1208.050-020	5.0	20	0.60	5.25	5.0	5.075	16.5
P1208.050-024	5.0	24	0.60	5.25	5.0	5.075	16.5
P1208.050-026	5.0	26	0.60	5.25	5.0	5.075	16.5
P1208.050-028	5.0	28	0.60	5.25	5.0	5.075	16.5
P1208.050-030	5.0	30	0.60	5.25	5.0	5.075	16.5
P1208.050-032	5.0	32	0.60	5.25	5.0	5.075	16.5
P1208.050-036	5.0	34	0.60	5.25	5.0	5.075	16.5
P1208.050-040	5.0	40	0.60	5.25	5.0	5.075	16.5
P1208.050-045	5.0	45	0.60	5.25	5.0	5.075	16.5
P1208.050-050	5.0	50	0.60	5.25	5.0	5.075	16.5
P1208.060-008	6.0	8	0.80	6.30	6.0	6.075	6.0
P1208.060-010	6.0	10	0.80	6.30	6.0	6.075	6.0
P1208.060-012	6.0	12	0.80	6.30	6.0	6.075	6.0
P1208.060-014	6.0	14	0.80	6.30	6.0	6.075	6.0
P1208.060-016	6.0	16	0.80	6.30	6.0	6.075	6.0
P1208.060-018	6.0	18	0.80	6.30	6.0	6.075	6.0
P1208.060-020	6.0	20	0.80	6.30	6.0	6.075	6.0
P1208.060-024	6.0	24	0.80	6.30	6.0	6.075	6.0
P1208.060-026	6.0	26	0.80	6.30	6.0	6.075	6.0

DOWEL PINS



DOWEL PINS

Order No.	d ₁ tol. h9/h11	l ₁ tol. js15	l ₂	d ₂ over grooves	Hole min.	Hole max.	Double shear kN
P1208.060-028	6.0	28	0.80	6.30	6.0	6.075	6.0
P1208.060-030	6.0	30	0.80	6.30	6.0	6.075	6.0
P1208.060-032	6.0	32	0.80	6.30	6.0	6.075	6.0
P1208.060-036	6.0	36	0.80	6.30	6.0	6.075	6.0
P1208.060-040	6.0	40	0.80	6.30	6.0	6.075	6.0
P1208.060-045	6.0	45	0.80	6.30	6.0	6.075	6.0
P1208.060-050	6.0	50	0.80	6.30	6.0	6.075	6.0
P1208.060-055	6.0	55	0.80	6.30	6.0	6.075	6.0
P1208.080-010	8.0	10	1.00	8.30	8.0	8.090	40.5
P1208.080-012	8.0	12	1.00	8.30	8.0	8.090	40.5
P1208.080-014	8.0	14	1.00	8.30	8.0	8.090	40.5
P1208.080-016	8.0	16	1.00	8.30	8.0	8.090	40.5
P1208.080-018	8.0	18	1.00	8.30	8.0	8.090	40.5
P1208.080-020	8.0	20	1.00	8.30	8.0	8.090	40.5
P1208.080-024	8.0	24	1.00	8.30	8.0	8.090	40.5
P1208.080-026	8.0	26	1.00	8.30	8.0	8.090	40.5
P1208.080-028	8.0	28	1.00	8.30	8.0	8.090	40.5
P1208.080-030	8.0	30	1.00	8.30	8.0	8.090	40.5
P1208.080-032	8.0	32	1.00	8.30	8.0	8.090	40.5
P1208.080-036	8.0	36	1.00	8.30	8.0	8.090	40.5
P1208.080-040	8.0	40	1.00	8.30	8.0	8.090	40.5
P1208.080-045	8.0	45	1.00	8.30	8.0	8.090	40.5
P1208.080-050	8.0	50	1.00	8.30	8.0	8.090	40.5
P1208.080-055	8.0	55	1.00	8.30	8.0	8.090	40.5
P1208.080-060	8.0	60	1.00	8.30	8.0	8.090	40.5
P1208.080-065	8.0	65	1.00	8.30	8.0	8.090	40.5
P1208.080-070	8.0	70	1.00	8.30	8.0	8.090	40.5
P1208.100-014	10.0	14	1.20	10.35	10.0	10.09	63.2
P1208.100-016	10.0	16	1.20	10.35	10.0	10.09	63.2
P1208.100-018	10.0	18	1.20	10.35	10.0	10.09	63.2
P1208.100-020	10.0	20	1.20	10.35	10.0	10.09	63.2
P1208.100-024	10.0	24	1.20	10.35	10.0	10.09	63.2
P1208.100-026	10.0	26	1.20	10.35	10.0	10.09	63.2
P1208.100-028	10.0	28	1.20	10.35	10.0	10.09	63.2
P1208.100-030	10.0	30	1.20	10.35	10.0	10.09	63.2
P1208.100-032	10.0	32	1.20	10.35	10.0	10.09	63.2
P1208.100-036	10.0	36	1.20	10.35	10.0	10.09	63.2
P1208.100-040	10.0	40	1.20	10.35	10.0	10.09	63.2
P1208.100-045	10.0	45	1.20	10.35	10.0	10.09	63.2
P1208.100-050	10.0	50	1.20	10.35	10.0	10.09	63.2
P1208.100-055	10.0	55	1.20	10.35	10.0	10.09	63.2
P1208.100-060	10.0	60	1.20	10.35	10.0	10.09	63.2
P1208.100-065	10.0	65	1.20	10.35	10.0	10.09	63.2
P1208.100-070	10.0	70	1.20	10.35	10.0	10.09	63.2
P1208.100-075	10.0	75	1.20	10.35	10.0	10.09	63.2
P1208.100-080	10.0	80	1.20	10.35	10.0	10.09	63.2
P1208.120-014	12.0	14	1.60	12.35	12.0	12.11	91
P1208.120-016	12.0	16	1.60	12.35	12.0	12.11	91
P1208.120-018	12.0	18	1.60	12.35	12.0	12.11	91
P1208.120-020	12.0	20	1.60	12.35	12.0	12.11	91
P1208.120-024	12.0	24	1.60	12.35	12.0	12.11	91
P1208.120-026	12.0	26	1.60	12.35	12.0	12.11	91
P1208.120-028	12.0	28	1.60	12.35	12.0	12.11	91
P1208.120-030	12.0	30	1.60	12.35	12.0	12.11	91
P1208.120-032	12.0	32	1.60	12.35	12.0	12.11	91
P1208.120-036	12.0	36	1.60	12.35	12.0	12.11	91
P1208.120-040	12.0	40	1.60	12.35	12.0	12.11	91
P1208.120-045	12.0	45	1.60	12.35	12.0	12.11	91
P1208.120-050	12.0	50	1.60	12.35	12.0	12.11	91
P1208.120-055	12.0	55	1.60	12.35	12.0	12.11	91
P1208.120-060	12.0	60	1.60	12.35	12.0	12.11	91
P1208.120-065	12.0	65	1.60	12.35	12.0	12.11	91
P1208.120-070	12.0	70	1.60	12.35	12.0	12.11	91
P1208.120-075	12.0	75	1.60	12.35	12.0	12.11	91
P1208.120-080	12.0	80	1.60	12.35	12.0	12.11	91



P1209

DOWEL PINS

Material

Stainless steel (A2, AISI 303).

Technical Notes

To DIN 1473 (GP 3, similar to ISO 8740).
Full length grooves.
Diameters tolerance under $\varnothing 4$ h9, over $\varnothing 4$ tolerance h11.
Nominal length l_1 does not include radi-

used ends.

Allows the use of non precision holes.
Used to fix two or more components together with maximum rigidity.

Tips

Three swaged grooves at 120° pitch all along the length.
When the pin is driven into the drilled hole

the material displaced is forced back, to close up the groove and lock the pin into place. Allows the use of non precision holes.

Used to fix two or more components together with maximum rigidity.

Order No.	d_1 tol. h9/h11	l_1 tol. js15	l_2	d_2 over grooves	Hole min.	Hole max.	Double shear kN
P1209.010-004	1.0	4	0.14	1.05	1.0	1.025	0.7
P1209.010-005	1.0	5	0.14	1.05	1.0	1.025	0.7
P1209.010-006	1.0	6	0.14	1.05	1.0	1.025	0.7
P1209.010-008	1.0	8	0.14	1.05	1.0	1.025	0.7
P1209.012-004	1.2	4	0.16	1.25	1.2	1.225	1.0
P1209.012-005	1.2	5	0.16	1.25	1.2	1.225	1.0
P1209.012-006	1.2	6	0.16	1.25	1.2	1.225	1.0
P1209.012-008	1.2	8	0.16	1.25	1.2	1.225	1.0
P1209.015-004	1.5	4	0.20	1.60	1.5	1.525	1.6
P1209.015-005	1.5	5	0.20	1.60	1.5	1.525	1.6
P1209.015-006	1.5	6	0.20	1.60	1.5	1.525	1.6
P1209.015-008	1.5	8	0.20	1.60	1.5	1.525	1.6
P1209.015-010	1.5	10	0.20	1.60	1.5	1.525	1.6
P1209.015-012	1.5	12	0.20	1.60	1.5	1.525	1.6
P1209.015-014	1.5	14	0.20	1.60	1.5	1.525	1.6
P1209.015-016	1.5	16	0.20	1.60	1.5	1.525	1.6
P1209.015-018	1.5	18	0.20	1.60	1.5	1.525	1.6
P1209.015-020	1.5	20	0.20	1.60	1.5	1.525	1.6
P1209.020-004	2.0	4	0.25	2.15	2.0	2.025	2.85
P1209.020-005	2.0	5	0.25	2.15	2.0	2.025	2.85
P1209.020-006	2.0	6	0.25	2.15	2.0	2.025	2.85
P1209.020-008	2.0	8	0.25	2.15	2.0	2.025	2.85
P1209.020-010	2.0	10	0.25	2.15	2.0	2.025	2.85
P1209.020-012	2.0	12	0.25	2.15	2.0	2.025	2.85
P1209.020-014	2.0	14	0.25	2.15	2.0	2.025	2.85
P1209.020-016	2.0	16	0.25	2.15	2.0	2.025	2.85
P1209.020-018	2.0	18	0.25	2.15	2.0	2.025	2.85
P1209.020-020	2.0	20	0.25	2.15	2.0	2.025	2.85
P1209.020-022	2.0	24	0.25	2.15	2.0	2.025	2.85



DOWEL PINS

Order No.	d ₁ tol. h9/h11	l ₁ tol. js15	l ₂	d ₂ over grooves	Hole min.	Hole max.	Double shear kN
P1209.020-025	2.0	26	0.25	2.15	2.0	2.025	2.85
P1209.020-028	2.0	28	0.25	2.15	2.0	2.025	2.85
P1209.020-030	2.0	30	0.25	2.15	2.0	2.025	2.85
P1209.025-006	2.5	6	0.30	2.65	2.5	2.525	4.25
P1209.025-008	2.5	8	0.30	2.65	2.5	2.525	4.25
P1209.025-010	2.5	10	0.30	2.65	2.5	2.525	4.25
P1209.025-012	2.5	12	0.30	2.65	2.5	2.525	4.25
P1209.025-014	2.5	14	0.30	2.65	2.5	2.525	4.25
P1209.025-016	2.5	16	0.30	2.65	2.5	2.525	4.25
P1209.025-018	2.5	18	0.30	2.65	2.5	2.525	4.25
P1209.025-020	2.5	20	0.30	2.65	2.5	2.525	4.25
P1209.025-022	2.5	24	0.30	2.65	2.5	2.525	4.25
P1209.025-025	2.5	26	0.30	2.65	2.5	2.525	4.25
P1209.025-028	2.5	28	0.30	2.65	2.5	2.525	4.25
P1209.025-030	2.5	30	0.30	2.65	2.5	2.525	4.25
P1209.030-006	3.0	6	0.40	3.20	3.0	3.025	6.15
P1209.030-008	3.0	8	0.40	3.20	3.0	3.025	6.15
P1209.030-010	3.0	10	0.40	3.20	3.0	3.025	6.15
P1209.030-012	3.0	12	0.40	3.20	3.0	3.025	6.15
P1209.030-014	3.0	14	0.40	3.20	3.0	3.025	6.15
P1209.030-016	3.0	16	0.40	3.20	3.0	3.025	6.15
P1209.030-018	3.0	18	0.40	3.20	3.0	3.025	6.15
P1209.030-020	3.0	20	0.40	3.20	3.0	3.025	6.15
P1209.030-022	3.0	22	0.40	3.20	3.0	3.025	6.15
P1209.030-025	3.0	26	0.40	3.20	3.0	3.025	6.15
P1209.030-028	3.0	28	0.40	3.20	3.0	3.025	6.15
P1209.030-030	3.0	30	0.40	3.20	3.0	3.025	6.15
P1209.040-006	4.0	6	0.50	4.25	4.0	4.075	10.6
P1209.040-008	4.0	8	0.50	4.25	4.0	4.075	10.6
P1209.040-010	4.0	10	0.50	4.25	4.0	4.075	10.6
P1209.040-012	4.0	12	0.50	4.25	4.0	4.075	10.6
P1209.040-014	4.0	14	0.50	4.25	4.0	4.075	10.6
P1209.040-016	4.0	16	0.50	4.25	4.0	4.075	10.6
P1209.040-018	4.0	18	0.50	4.25	4.0	4.075	10.6
P1209.040-020	4.0	20	0.50	4.25	4.0	4.075	10.6
P1209.040-025	4.0	26	0.50	4.25	4.0	4.075	10.6
P1209.040-028	4.0	28	0.50	4.25	4.0	4.075	10.6
P1209.040-030	4.0	30	0.50	4.25	4.0	4.075	10.6
P1209.040-032	4.0	32	0.50	4.25	4.0	4.075	10.6
P1209.040-036	4.0	36	0.50	4.25	4.0	4.075	10.6
P1209.040-040	4.0	40	0.50	4.25	4.0	4.075	10.6
P1209.040-045	4.0	45	0.50	4.25	4.0	4.075	10.6
P1209.040-050	4.0	50	0.50	4.25	4.0	4.075	10.6
P1209.050-008	5.0	8	0.60	5.25	5.0	5.075	16.5
P1209.050-010	5.0	10	0.60	5.25	5.0	5.075	16.5
P1209.050-012	5.0	12	0.60	5.25	5.0	5.075	16.5
P1209.050-014	5.0	14	0.60	5.25	5.0	5.075	16.5
P1209.050-016	5.0	16	0.60	5.25	5.0	5.075	16.5
P1209.050-018	5.0	18	0.60	5.25	5.0	5.075	16.5
P1209.050-020	5.0	20	0.60	5.25	5.0	5.075	16.5
P1209.050-022	5.0	24	0.60	5.25	5.0	5.075	16.5
P1209.050-025	5.0	26	0.60	5.25	5.0	5.075	16.5
P1209.050-028	5.0	28	0.60	5.25	5.0	5.075	16.5
P1209.050-030	5.0	30	0.60	5.25	5.0	5.075	16.5
P1209.050-032	5.0	32	0.60	5.25	5.0	5.075	16.5
P1209.050-036	5.0	36	0.60	5.25	5.0	5.075	16.5
P1209.050-040	5.0	40	0.60	5.25	5.0	5.075	16.5
P1209.050-045	5.0	45	0.60	5.25	5.0	5.075	16.5
P1209.050-050	5.0	50	0.60	5.25	5.0	5.075	16.5
P1209.060-008	6.0	8	0.80	6.30	6.0	6.075	22.8
P1209.060-010	6.0	10	0.80	6.30	6.0	6.075	22.8
P1209.060-012	6.0	12	0.80	6.30	6.0	6.075	22.8
P1209.060-014	6.0	14	0.80	6.30	6.0	6.075	22.8
P1209.060-016	6.0	16	0.80	6.30	6.0	6.075	22.8
P1209.060-018	6.0	18	0.80	6.30	6.0	6.075	22.8
P1209.060-020	6.0	20	0.80	6.30	6.0	6.075	22.8
P1209.060-022	6.0	24	0.80	6.30	6.0	6.075	22.8
P1209.060-025	6.0	26	0.80	6.30	6.0	6.075	22.8

Stainless Grooved Pins

Dowel Pins

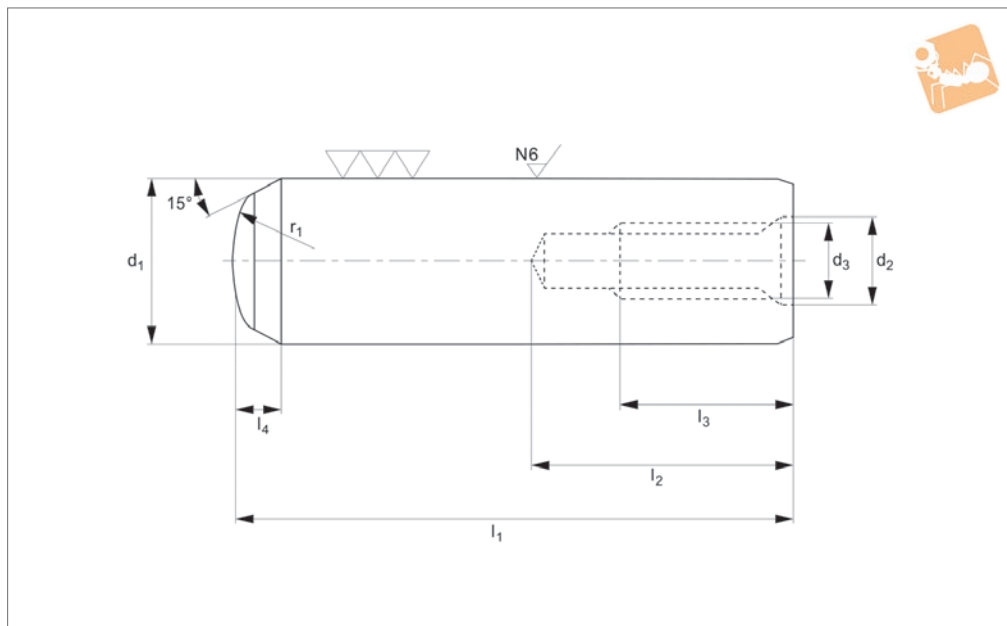


Order No.	d ₁ tol. h9/h11	l ₁ tol. js15	l ₂	d ₂ over grooves	Hole min.	Hole max.	Double shear kN
P1209.060-028	6.0	28	0.80	6.30	6.0	6.075	22.8
P1209.060-030	6.0	30	0.80	6.30	6.0	6.075	22.8
P1209.060-032	6.0	32	0.80	6.30	6.0	6.075	22.8
P1209.060-036	6.0	36	0.80	6.30	6.0	6.075	22.8
P1209.060-040	6.0	40	0.80	6.30	6.0	6.075	22.8
P1209.060-045	6.0	45	0.80	6.30	6.0	6.075	22.8
P1209.060-050	6.0	50	0.80	6.30	6.0	6.075	22.8
P1209.060-055	6.0	55	0.80	6.30	6.0	6.075	22.8
P1209.060-060	6.0	60	0.80	6.30	6.0	6.075	22.8
P1209.080-010	8.0	10	1.00	8.30	8.0	8.090	40.5
P1209.080-012	8.0	12	1.00	8.30	8.0	8.090	40.5
P1209.080-014	8.0	14	1.00	8.30	8.0	8.090	40.5
P1209.080-016	8.0	16	1.00	8.30	8.0	8.090	40.5
P1209.080-018	8.0	18	1.00	8.30	8.0	8.090	40.5
P1209.080-020	8.0	20	1.00	8.30	8.0	8.090	40.5
P1209.080-022	8.0	24	1.00	8.30	8.0	8.090	40.5
P1209.080-025	8.0	26	1.00	8.30	8.0	8.090	40.5
P1209.080-028	8.0	28	1.00	8.30	8.0	8.090	40.5
P1209.080-030	8.0	30	1.00	8.30	8.0	8.090	40.5
P1209.080-032	8.0	32	1.00	8.30	8.0	8.090	40.5
P1209.080-036	8.0	36	1.00	8.30	8.0	8.090	40.5
P1209.080-040	8.0	40	1.00	8.30	8.0	8.090	40.5
P1209.080-045	8.0	45	1.00	8.30	8.0	8.090	40.5
P1209.080-050	8.0	50	1.00	8.30	8.0	8.090	40.5
P1209.080-055	8.0	55	1.00	8.30	8.0	8.090	40.5
P1209.080-060	8.0	60	1.00	8.30	8.0	8.090	40.5
P1209.080-065	8.0	65	1.00	8.30	8.0	8.090	40.5
P1209.080-070	8.0	70	1.00	8.30	8.0	8.090	40.5
P1209.100-014	10.0	14	1.20	10.35	10.0	10.09	63.2
P1209.100-016	10.0	16	1.20	10.35	10.0	10.09	63.2
P1209.100-018	10.0	18	1.20	10.35	10.0	10.09	63.2
P1209.100-020	10.0	20	1.20	10.35	10.0	10.09	63.2
P1209.100-022	10.0	24	1.20	10.35	10.0	10.09	63.2
P1209.100-025	10.0	26	1.20	10.35	10.0	10.09	63.2
P1209.100-028	10.0	28	1.20	10.35	10.0	10.09	63.2
P1209.100-030	10.0	30	1.20	10.35	10.0	10.09	63.2
P1209.100-032	10.0	32	1.20	10.35	10.0	10.09	63.2
P1209.100-036	10.0	36	1.20	10.35	10.0	10.09	63.2
P1209.100-040	10.0	40	1.20	10.35	10.0	10.09	63.2
P1209.100-045	10.0	45	1.20	10.35	10.0	10.09	63.2
P1209.100-050	10.0	50	1.20	10.35	10.0	10.09	63.2
P1209.100-055	10.0	55	1.20	10.35	10.0	10.09	63.2
P1209.100-060	10.0	60	1.20	10.35	10.0	10.09	63.2
P1209.100-065	10.0	65	1.20	10.35	10.0	10.09	63.2
P1209.100-070	10.0	70	1.20	10.35	10.0	10.09	63.2
P1209.100-075	10.0	75	1.20	10.35	10.0	10.09	63.2
P1209.100-080	10.0	80	1.20	10.35	10.0	10.09	63.2
P1209.120-014	12.0	14	1.60	12.35	12.0	12.11	91
P1209.120-016	12.0	16	1.60	12.35	12.0	12.11	91
P1209.120-018	12.0	18	1.60	12.35	12.0	12.11	91
P1209.120-020	12.0	20	1.60	12.35	12.0	12.11	91
P1209.120-022	12.0	24	1.60	12.35	12.0	12.11	91
P1209.120-025	12.0	26	1.60	12.35	12.0	12.11	91
P1209.120-028	12.0	28	1.60	12.35	12.0	12.11	91
P1209.120-030	12.0	30	1.60	12.35	12.0	12.11	91
P1209.120-032	12.0	32	1.60	12.35	12.0	12.11	91
P1209.120-036	12.0	36	1.60	12.35	12.0	12.11	91
P1209.120-040	12.0	40	1.60	12.35	12.0	12.11	91
P1209.120-045	12.0	45	1.60	12.35	12.0	12.11	91
P1209.120-050	12.0	50	1.60	12.35	12.0	12.11	91
P1209.120-055	12.0	55	1.60	12.35	12.0	12.11	91
P1209.120-060	12.0	60	1.60	12.35	12.0	12.11	91
P1209.120-065	12.0	65	1.60	12.35	12.0	12.11	91
P1209.120-070	12.0	70	1.60	12.35	12.0	12.11	91
P1209.120-075	12.0	75	1.60	12.35	12.0	12.11	91
P1209.120-080	12.0	80	1.60	12.35	12.0	12.11	91

DOWEL PINS



P1212



Material

Steel (100Cr6), hardened and tempered to HV 550-650, HRC 60 ±2.

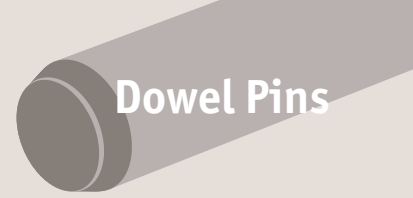
Technical Notes

To DIN 7979D. Ground flat along length for air release.

Order No.	d_1 m6	l_1 js15	l_2 min.	l_3	l_4	d_2
P1212.040-010	4	10	7	4.5	1.3	M 2,5
P1212.040-012	4	12	7	4.5	1.3	M 2,5
P1212.040-014	4	14	7	4.5	1.3	M 2,5
P1212.040-016	4	16	7	4.5	1.3	M 2,5
P1212.040-018	4	18	7	4.5	1.3	M 2,5
P1212.040-020	4	20	7	4.5	1.3	M 2,5
P1212.040-024	4	24	7	4.5	1.3	M 2,5
P1212.040-028	4	28	7	4.5	1.3	M 2,5
P1212.040-030	4	30	7	4.5	1.3	M 2,5
P1212.040-032	4	32	7	4.5	1.3	M 2,5
P1212.040-036	4	36	7	4.5	1.3	M 2,5
P1212.040-040	4	40	7	4.5	1.3	M 2,5
P1212.040-045	4	45	7	4.5	1.3	M 2,5
P1212.040-050	4	50	7	4.5	1.3	M 2,5
P1212.050-010	5	10	7	4.5	1.7	M 3
P1212.050-012	5	12	7	4.5	1.7	M 3
P1212.050-014	5	14	7	4.5	1.7	M 3
P1212.050-016	5	16	7	4.5	1.7	M 3
P1212.050-018	5	18	7	4.5	1.7	M 3
P1212.050-020	5	20	7	4.5	1.7	M 3
P1212.050-024	5	24	7	4.5	1.7	M 3
P1212.050-028	5	28	7	4.5	1.7	M 3
P1212.050-030	5	30	7	4.5	1.7	M 3
P1212.050-032	5	32	7	4.5	1.7	M 3
P1212.050-036	5	36	7	4.5	1.7	M 3
P1212.050-040	5	40	7	4.5	1.7	M 3
P1212.050-045	5	45	7	4.5	1.7	M 3
P1212.050-050	5	50	7	4.5	1.7	M 3
P1212.060-012	6	12	10	6	2.1	M 4
P1212.060-014	6	14	10	6	2.1	M 4
P1212.060-016	6	16	10	6	2.1	M 4
P1212.060-018	6	18	10	6	2.1	M 4
P1212.060-020	6	20	10	6	2.1	M 4
P1212.060-024	6	24	10	6	2.1	M 4



Extractable Dowel Pins with air release



Dowel Pins

Order No.	d ₁ m6	l ₁ js15	l ₂ min.	l ₃	l ₄	d ₂
P1212.060-028	6	28	10	6	2.1	M 4
P1212.060-030	6	30	10	6	2.1	M 4
P1212.060-032	6	32	10	6	2.1	M 4
P1212.060-036	6	36	10	6	2.1	M 4
P1212.060-040	6	40	10	6	2.1	M 4
P1212.060-045	6	45	10	6	2.1	M 4
P1212.060-050	6	50	10	6	2.1	M 4
P1212.060-055	6	55	10	6	2.1	M 4
P1212.060-060	6	60	10	6	2.1	M 4
P1212.060-070	6	70	10	6	2.1	M 4
P1212.060-080	6	80	10	6	2.1	M 4
P1212.060-090	6	90	10	6	2.1	M 4
P1212.080-016	8	16	12	8	2.6	M 5
P1212.080-020	8	20	12	8	2.6	M 5
P1212.080-024	8	24	12	8	2.6	M 5
P1212.080-028	8	28	12	8	2.6	M 5
P1212.080-030	8	30	12	8	2.6	M 5
P1212.080-032	8	32	12	8	2.6	M 5
P1212.080-036	8	36	12	8	2.6	M 5
P1212.080-040	8	40	12	8	2.6	M 5
P1212.080-045	8	45	12	8	2.6	M 5
P1212.080-050	8	50	12	8	2.6	M 5
P1212.080-055	8	55	12	8	2.6	M 5
P1212.080-060	8	60	12	8	2.6	M 5
P1212.080-070	8	70	12	8	2.6	M 5
P1212.080-080	8	80	12	8	2.6	M 5
P1212.080-090	8	90	12	8	2.6	M 5
P1212.080-100	8	100	12	8	2.6	M 5
P1212.100-016	10	16	16	10	3.0	M 6
P1212.100-018	10	18	16	10	3.0	M 6
P1212.100-020	10	20	16	10	3.0	M 6
P1212.100-024	10	24	16	10	3.0	M 6
P1212.100-028	10	28	16	10	3.0	M 6
P1212.100-030	10	30	16	10	3.0	M 6
P1212.100-032	10	32	16	10	3.0	M 6
P1212.100-036	10	36	16	10	3.0	M 6
P1212.100-040	10	40	16	10	3.0	M 6
P1212.100-045	10	45	16	10	3.0	M 6
P1212.100-050	10	50	16	10	3.0	M 6
P1212.100-055	10	55	16	10	3.0	M 6
P1212.100-060	10	60	16	10	3.0	M 6
P1212.100-070	10	70	16	10	3.0	M 6
P1212.100-080	10	80	16	10	3.0	M 6
P1212.100-090	10	90	16	10	3.0	M 6
P1212.100-100	10	100	16	10	3.0	M 6
P1212.100-120	10	120	16	10	3.0	M 6
P1212.120-020	12	20	16	10	3.8	M 6
P1212.120-024	12	24	16	10	3.8	M 6
P1212.120-028	12	28	16	10	3.8	M 6
P1212.120-030	12	30	16	10	3.8	M 6
P1212.120-032	12	32	16	10	3.8	M 6
P1212.120-036	12	36	16	10	3.8	M 6
P1212.120-040	12	40	16	10	3.8	M 6
P1212.120-045	12	45	16	10	3.8	M 6
P1212.120-050	12	50	16	10	3.8	M 6
P1212.120-055	12	55	16	10	3.8	M 6
P1212.120-060	12	60	16	10	3.8	M 6
P1212.120-070	12	70	16	10	3.8	M 6
P1212.120-080	12	80	16	10	3.8	M 6
P1212.120-090	12	90	16	10	3.8	M 6
P1212.120-100	12	100	16	10	3.8	M 6
P1212.120-120	12	120	16	10	3.8	M 6
P1212.140-028	14	28	20	12	4.0	M 8
P1212.140-030	14	30	20	12	4.0	M 8
P1212.140-032	14	32	20	12	4.0	M 8
P1212.140-036	14	36	20	12	4.0	M 8
P1212.140-040	14	40	20	12	4.0	M 8
P1212.140-045	14	45	20	12	4.0	M 8

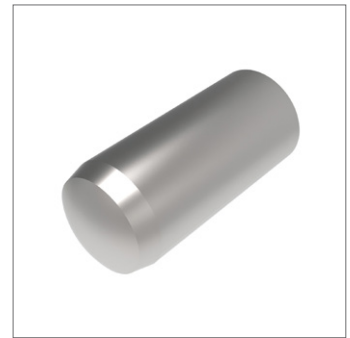
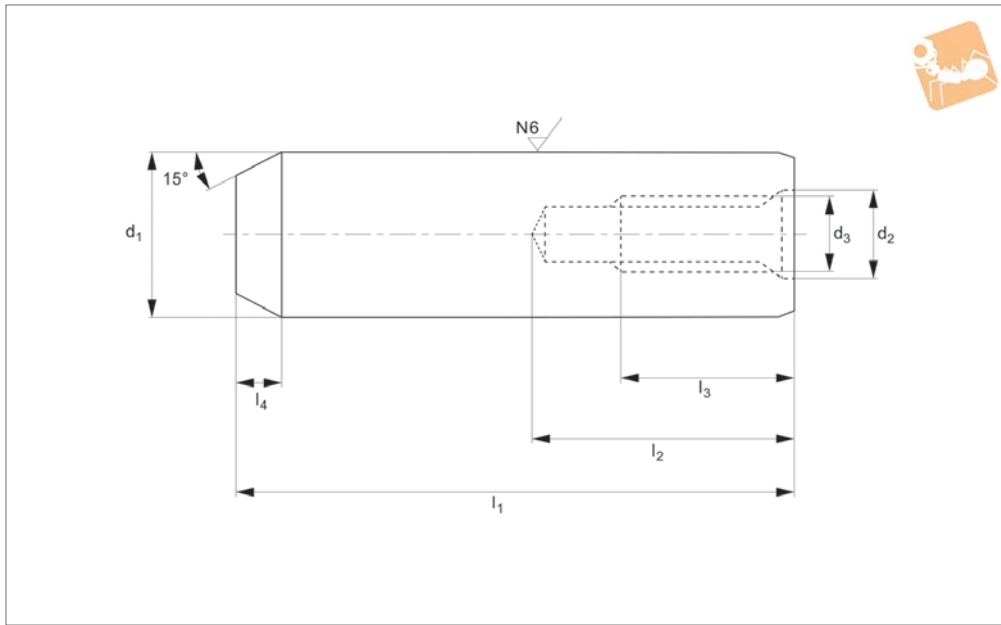
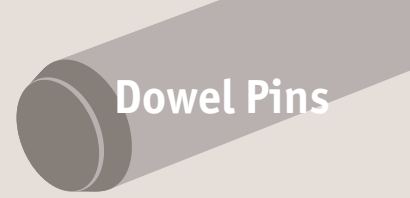
DOWEL PINS



Order No.	d ₁ m6	l ₁ js15	l ₂ min.	l ₃	l ₄	d ₂
P1212.140-050	14	50	20	12	4.0	M 8
P1212.140-055	14	55	20	12	4.0	M 8
P1212.140-060	14	60	20	12	4.0	M 8
P1212.140-070	14	70	20	12	4.0	M 8
P1212.140-080	14	80	20	12	4.0	M 8
P1212.140-090	14	90	20	12	4.0	M 8
P1212.140-100	14	100	20	12	4.0	M 8
P1212.140-120	14	120	20	12	4	M 8
P1212.160-032	16	32	20	12	4.7	M 8
P1212.160-036	16	36	20	12	4.7	M 8
P1212.160-040	16	40	20	12	4.7	M 8
P1212.160-045	16	45	20	12	4.7	M 8
P1212.160-050	16	50	20	12	4.7	M 8
P1212.160-055	16	55	20	12	4.7	M 8
P1212.160-060	16	60	20	12	4.7	M 8
P1212.160-070	16	70	20	12	4.7	M 8
P1212.160-080	16	80	20	12	4.7	M 8
P1212.160-090	16	90	20	12	4.7	M 8
P1212.160-100	16	100	20	12	4.7	M 8
P1212.160-120	16	120	20	12	4.7	M 8
P1212.200-032	20	32	25	16	6.0	M10
P1212.200-036	20	36	25	16	6.0	M10
P1212.200-040	20	40	25	16	6.0	M10
P1212.200-045	20	45	25	16	6.0	M10
P1212.200-050	20	50	25	16	6.0	M10
P1212.200-055	20	55	25	16	6.0	M10
P1212.200-060	20	60	25	16	6.0	M10
P1212.200-070	20	70	25	16	6.0	M10
P1212.200-080	20	80	25	16	6.0	M10
P1212.200-090	20	90	25	16	6.0	M10
P1212.200-100	20	100	25	16	6.0	M10
P1212.200-120	20	120	25	16	6.0	M10



Stainless Extractable Dowel Pins with air release



P1213

DOWEL PINS

Material

Stainless steel 1.4305

Technical Notes

To DIN 7979C. Ground flat along length for air release.

Order No.	d ₁ tol. m6	l ₁ tol. js15	l ₂ min.	l ₃	l ₄	d ₂
P1213.040-010	4	10	7	4.5	1.3	M 2,5
P1213.040-012	4	12	7	4.5	1.3	M 2,5
P1213.040-014	4	14	7	4.5	1.3	M 2,5
P1213.040-016	4	16	7	4.5	1.3	M 2,5
P1213.040-018	4	18	7	4.5	1.3	M 2,5
P1213.040-020	4	20	7	4.5	1.3	M 2,5
P1213.040-024	4	24	7	4.5	1.3	M 2,5
P1213.040-028	4	28	7	4.5	1.3	M 2,5
P1213.040-030	4	30	7	4.5	1.3	M 2,5
P1213.040-032	4	32	7	4.5	1.3	M 2,5
P1213.040-036	4	36	7	4.5	1.3	M 2,5
P1213.040-040	4	40	7	4.5	1.3	M 2,5
P1213.040-045	4	45	7	4.5	1.3	M 2,5
P1213.040-050	4	50	7	4.5	1.3	M 2,5
P1213.050-010	5	10	7	4.5	1.7	M 3
P1213.050-012	5	12	7	4.5	1.7	M 3
P1213.050-014	5	14	7	4.5	1.7	M 3
P1213.050-016	5	16	7	4.5	1.7	M 3
P1213.050-018	5	18	7	4.5	1.7	M 3
P1213.050-020	5	20	7	4.5	1.7	M 3
P1213.050-024	5	24	7	4.5	1.7	M 3
P1213.050-028	5	28	7	4.5	1.7	M 3
P1213.050-030	5	30	7	4.5	1.7	M 3
P1213.050-032	5	32	7	4.5	1.7	M 3
P1213.050-036	5	36	7	4.5	1.7	M 3
P1213.050-040	5	40	7	4.5	1.7	M 3
P1213.050-045	5	45	7	4.5	1.7	M 3
P1213.050-050	5	50	7	4.5	1.7	M 3
P1213.060-012	6	12	10	6	2.1	M 4
P1213.060-014	6	14	10	6	2.1	M 4
P1213.060-016	6	16	10	6	2.1	M 4
P1213.060-018	6	18	10	6	2.1	M 4
P1213.060-020	6	20	10	6	2.1	M 4
P1213.060-024	6	24	10	6	2.1	M 4

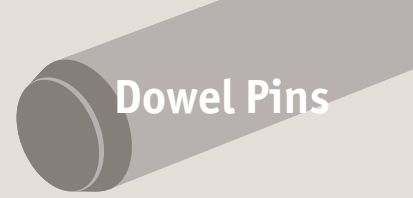


Order No.	d ₁ tol. m6	l ₁ tol. js15	l ₂ min.	l ₃	l ₄	d ₂
P1213.060-028	6	28	10	6	2.1	M 4
P1213.060-030	6	30	10	6	2.1	M 4
P1213.060-032	6	32	10	6	2.1	M 4
P1213.060-036	6	36	10	6	2.1	M 4
P1213.060-040	6	40	10	6	2.1	M 4
P1213.060-045	6	45	10	6	2.1	M 4
P1213.060-050	6	50	10	6	2.1	M 4
P1213.060-055	6	55	10	6	2.1	M 4
P1213.060-060	6	60	10	6	2.1	M 4
P1213.060-070	6	70	10	6	2.1	M 4
P1213.060-080	6	80	10	6	2.1	M 4
P1213.060-090	6	90	10	6	2.1	M 4
P1213.080-016	8	16	12	8	2.6	M 5
P1213.080-020	8	20	12	8	2.6	M 5
P1213.080-024	8	24	12	8	2.6	M 5
P1213.080-028	8	28	12	8	2.6	M 5
P1213.080-030	8	30	12	8	2.6	M 5
P1213.080-032	8	32	12	8	2.6	M 5
P1213.080-036	8	36	12	8	2.6	M 5
P1213.080-040	8	40	12	8	2.6	M 5
P1213.080-045	8	45	12	8	2.6	M 5
P1213.080-050	8	50	12	8	2.6	M 5
P1213.080-055	8	55	12	8	2.6	M 5
P1213.080-060	8	60	12	8	2.6	M 5
P1213.080-070	8	70	12	8	2.6	M 5
P1213.080-080	8	80	12	8	2.6	M 5
P1213.080-090	8	90	12	8	2.6	M 5
P1213.080-100	8	100	12	8	2.6	M 5
P1213.100-016	10	16	16	10	3.0	M 6
P1213.100-018	10	18	16	10	3.0	M 6
P1213.100-020	10	20	16	10	3.0	M 6
P1213.100-024	10	24	16	10	3.0	M 6
P1213.100-028	10	28	16	10	3.0	M 6
P1213.100-030	10	30	16	10	3.0	M 6
P1213.100-032	10	32	16	10	3.0	M 6
P1213.100-036	10	36	16	10	3.0	M 6
P1213.100-040	10	40	16	10	3.0	M 6
P1213.100-045	10	45	16	10	3.0	M 6
P1213.100-050	10	50	16	10	3.0	M 6
P1213.100-055	10	55	16	10	3.0	M 6
P1213.100-060	10	60	16	10	3.0	M 6
P1213.100-070	10	70	16	10	3.0	M 6
P1213.100-080	10	80	16	10	3.0	M 6
P1213.100-090	10	90	16	10	3.0	M 6
P1213.100-100	10	100	16	10	3.0	M 6
P1213.100-120	10	120	16	10	3.0	M 6
P1213.120-020	12	20	16	10	3.8	M 6
P1213.120-024	12	24	16	10	3.8	M 6
P1213.120-028	12	28	16	10	3.8	M 6
P1213.120-030	12	30	16	10	3.8	M 6
P1213.120-032	12	32	16	10	3.8	M 6
P1213.120-036	12	36	16	10	3.8	M 6
P1213.120-040	12	40	16	10	3.8	M 6
P1213.120-045	12	45	16	10	3.8	M 6
P1213.120-050	12	50	16	10	3.8	M 6
P1213.120-055	12	55	16	10	3.8	M 6
P1213.120-060	12	60	16	10	3.8	M 6
P1213.120-070	12	70	16	10	3.8	M 6
P1213.120-080	12	80	16	10	3.8	M 6
P1213.120-090	12	90	16	10	3.8	M 6
P1213.120-100	12	100	16	10	3.8	M 6
P1213.120-120	12	120	16	10	3.8	M 6
P1213.140-028	14	28	20	12	4.0	M 8
P1213.140-030	14	30	20	12	4.0	M 8
P1213.140-032	14	32	20	12	4.0	M 8
P1213.140-036	14	36	20	12	4.0	M 8
P1213.140-040	14	40	20	12	4.0	M 8
P1213.140-045	14	45	20	12	4.0	M 8



Stainless Extractable Dowel Pins

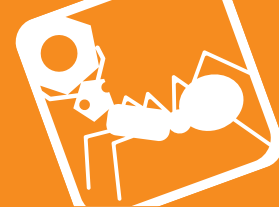
with air release



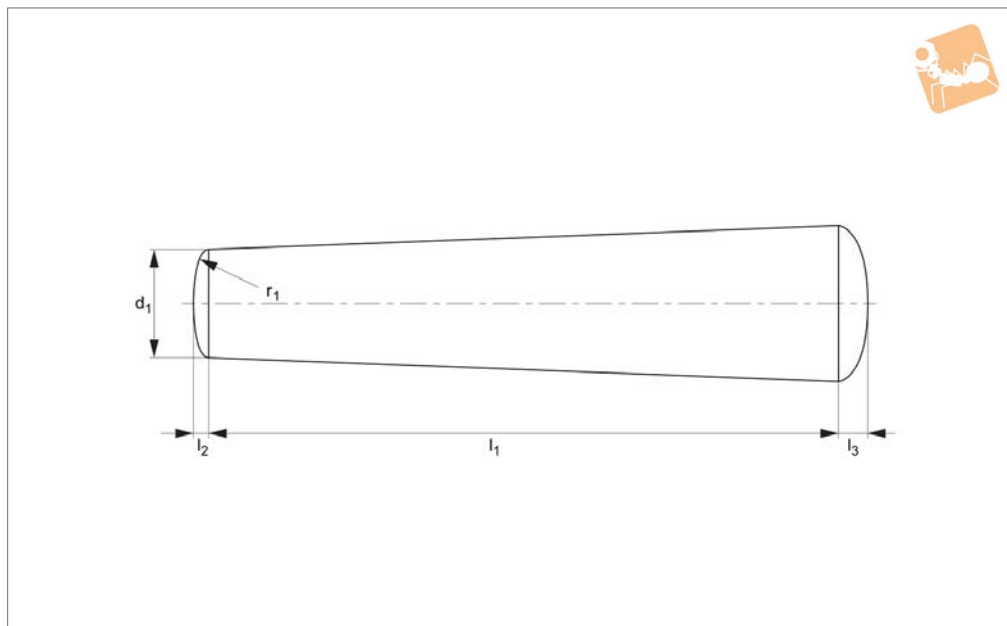
Dowel Pins

Order No.	d ₁ tol. m6	l ₁ tol. js15	l ₂ min.	l ₃	l ₄	d ₂
P1213.140-050	14	50	20	12	4.0	M 8
P1213.140-055	14	55	20	12	4.0	M 8
P1213.140-060	14	60	20	12	4.0	M 8
P1213.140-070	14	70	20	12	4.0	M 8
P1213.140-080	14	80	20	12	4.0	M 8
P1213.140-090	14	90	20	12	4.0	M 8
P1213.140-100	14	100	20	12	4.0	M 8
P1213.140-120	14	120	20	12	4	M 8
P1213.160-032	16	32	20	12	4.7	M 8
P1213.160-036	16	36	20	12	4.7	M 8
P1213.160-040	16	40	20	12	4.7	M 8
P1213.160-045	16	45	20	12	4.7	M 8
P1213.160-050	16	50	20	12	4.7	M 8
P1213.160-055	16	55	20	12	4.7	M 8
P1213.160-060	16	60	20	12	4.7	M 8
P1213.160-070	16	70	20	12	4.7	M 8
P1213.160-080	16	80	20	12	4.7	M 8
P1213.160-090	16	90	20	12	4.7	M 8
P1213.160-100	16	100	20	12	4.7	M 8
P1213.160-120	16	120	20	12	4.7	M 8
P1213.200-032	20	32	25	16	6.0	M10
P1213.200-036	20	36	25	16	6.0	M10
P1213.200-040	20	40	25	16	6.0	M10
P1213.200-045	20	45	25	16	6.0	M10
P1213.200-050	20	50	25	16	6.0	M10
P1213.200-055	20	55	25	16	6.0	M10
P1213.200-060	20	60	25	16	6.0	M10
P1213.200-070	20	70	25	16	6.0	M10
P1213.200-080	20	80	25	16	6.0	M10
P1213.200-090	20	90	25	16	6.0	M10
P1213.200-100	20	100	25	16	6.0	M10
P1213.200-120	20	120	25	16	6.0	M10

DOWEL PINS



P1216



Material

Mild steel (WS 1,0718 9SMnPb28K), ground finish.

Technical Notes

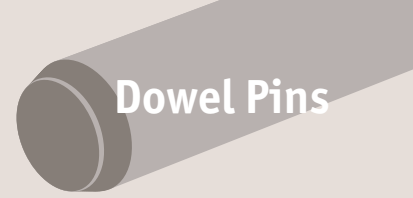
To DIN 1B. The nominal diameter is always the smaller end d and the taper is 2%.

Order No.	d_1 tol. h10	l_1 js15	l_2 max.	l_3
P1216.015-006	1.5	6	0.23	1.5
P1216.015-008	1.5	8	0.23	1.5
P1216.015-010	1.5	10	0.23	1.5
P1216.015-012	1.5	12	0.23	1.5
P1216.015-014	1.5	14	0.23	1.5
P1216.015-016	1.5	16	0.23	1.5
P1216.015-018	1.5	18	0.23	1.5
P1216.015-020	1.5	20	0.23	1.5
P1216.015-024	1.5	24	0.23	1.5
P1216.015-028	1.5	28	0.23	1.5
P1216.015-030	1.5	30	0.23	1.5
P1216.020-006	2.0	6	0.3	2
P1216.020-008	2.0	8	0.3	2
P1216.020-010	2.0	10	0.3	2
P1216.020-012	2.0	12	0.3	2
P1216.020-014	2.0	14	0.3	2
P1216.020-016	2.0	16	0.3	2
P1216.020-018	2.0	18	0.3	2
P1216.020-020	2.0	20	0.3	2
P1216.020-024	2.0	24	0.3	2
P1216.020-028	2.0	28	0.3	2
P1216.020-030	2.0	30	0.3	2
P1216.020-032	2.0	32	0.3	2
P1216.020-036	2.0	36	0.3	2
P1216.020-040	2.0	40	0.3	2
P1216.020-045	2.0	45	0.3	2
P1216.020-050	2.0	50	0.3	2
P1216.025-006	2.5	6	0.4	2.5
P1216.025-008	2.5	8	0.4	2.5
P1216.025-010	2.5	10	0.4	2.5
P1216.025-012	2.5	12	0.4	2.5
P1216.025-014	2.5	14	0.4	2.5
P1216.025-016	2.5	16	0.4	2.5
P1216.025-018	2.5	18	0.4	2.5



Taper Pins

Steel



Dowel Pins

Order No.	d ₁ tol. h10	l ₁ js15	l ₂ max.	l ₃
P1216.025-020	2.5	20	0.4	2.5
P1216.025-024	2.5	24	0.4	2.5
P1216.025-028	2.5	28	0.4	2.5
P1216.025-030	2.5	30	0.4	2.5
P1216.025-032	2.5	32	0.4	2.5
P1216.025-036	2.5	36	0.4	2.5
P1216.025-040	2.5	40	0.4	2.5
P1216.025-045	2.5	45	0.4	2.5
P1216.025-050	2.5	50	0.4	2.5
P1216.030-006	3.0	6	0.45	3
P1216.030-008	3.0	8	0.45	3
P1216.030-010	3.0	10	0.45	3
P1216.030-012	3.0	12	0.45	3
P1216.030-014	3.0	14	0.45	3
P1216.030-016	3.0	16	0.45	3
P1216.030-018	3.0	18	0.45	3
P1216.030-020	3.0	20	0.45	3
P1216.030-024	3.0	24	0.45	3
P1216.030-028	3.0	28	0.45	3
P1216.030-030	3.0	30	0.45	3
P1216.030-032	3.0	32	0.45	3
P1216.030-036	3.0	36	0.45	3
P1216.030-040	3.0	40	0.45	3
P1216.030-045	3.0	45	0.45	3
P1216.030-050	3.0	50	0.45	3
P1216.030-055	3.0	55	0.45	3
P1216.030-060	3.0	60	0.45	3
P1216.030-065	3.0	65	0.45	3
P1216.030-070	3.0	70	0.45	3
P1216.030-080	3.0	80	0.45	3
P1216.030-090	3.0	90	0.45	3
P1216.030-100	3.0	100	0.45	3
P1216.040-006	4.0	6	0.6	4
P1216.040-008	4.0	8	0.6	4
P1216.040-010	4.0	10	0.6	4
P1216.040-012	4.0	12	0.6	4
P1216.040-014	4.0	14	0.6	4
P1216.040-016	4.0	16	0.6	4
P1216.040-018	4.0	18	0.6	4
P1216.040-020	4.0	20	0.6	4
P1216.040-024	4.0	24	0.6	4
P1216.040-028	4.0	28	0.6	4
P1216.040-030	4.0	30	0.6	4
P1216.040-032	4.0	32	0.6	4
P1216.040-036	4.0	36	0.6	4
P1216.040-040	4.0	40	0.6	4
P1216.040-045	4.0	45	0.6	4
P1216.040-050	4.0	50	0.6	4
P1216.040-055	4.0	55	0.6	4
P1216.040-060	4.0	60	0.6	4
P1216.040-065	4.0	65	0.6	4
P1216.040-070	4.0	70	0.6	4
P1216.040-080	4.0	80	0.6	4
P1216.040-090	4.0	90	0.6	4
P1216.040-100	4.0	100	0.6	4
P1216.050-010	5.0	10	0.75	5
P1216.050-012	5.0	12	0.75	5
P1216.050-014	5.0	14	0.75	5
P1216.050-016	5.0	16	0.75	5
P1216.050-018	5.0	18	0.75	5
P1216.050-020	5.0	20	0.75	5
P1216.050-024	5.0	24	0.75	5
P1216.050-028	5.0	28	0.75	5
P1216.050-030	5.0	30	0.75	5
P1216.050-032	5.0	32	0.75	5
P1216.050-036	5.0	36	0.75	5
P1216.050-040	5.0	40	0.75	5
P1216.050-045	5.0	45	0.75	5

DOWEL PINS



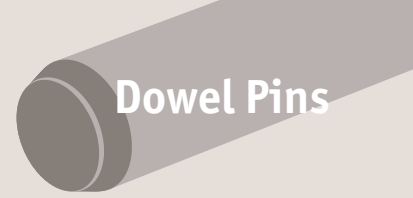
DOWEL PINS

Order No.	d ₁ tol. h10	l ₁ js15	l ₂ max.	l ₃
P1216.050-050	5.0	50	0.75	5
P1216.050-055	5.0	55	0.75	5
P1216.050-060	5.0	60	0.75	5
P1216.050-065	5.0	65	0.75	5
P1216.050-070	5.0	70	0.75	5
P1216.050-080	5.0	80	0.75	5
P1216.050-090	5.0	90	0.75	5
P1216.050-100	5.0	100	0.75	5
P1216.060-010	6.0	10	0.9	6
P1216.060-012	6.0	12	0.9	6
P1216.060-014	6.0	14	0.9	6
P1216.060-016	6.0	16	0.9	6
P1216.060-018	6.0	18	0.9	6
P1216.060-020	6.0	20	0.9	6
P1216.060-024	6.0	24	0.9	6
P1216.060-028	6.0	28	0.9	6
P1216.060-030	6.0	30	0.9	6
P1216.060-032	6.0	32	0.9	6
P1216.060-036	6.0	36	0.9	6
P1216.060-040	6.0	40	0.9	6
P1216.060-045	6.0	45	0.9	6
P1216.060-050	6.0	50	0.9	6
P1216.060-055	6.0	55	0.9	6
P1216.060-060	6.0	60	0.9	6
P1216.060-065	6.0	65	0.9	6
P1216.060-070	6.0	70	0.9	6
P1216.060-080	6.0	80	0.9	6
P1216.060-090	6.0	90	0.9	6
P1216.060-100	6.0	100	0.9	6
P1216.080-020	8.0	20	1.0	8
P1216.080-024	8.0	24	1.0	8
P1216.080-028	8.0	28	1.0	8
P1216.080-030	8.0	30	1.0	8
P1216.080-032	8.0	32	1.0	8
P1216.080-036	8.0	36	1.0	8
P1216.080-040	8.0	40	1.0	8
P1216.080-045	8.0	45	1.0	8
P1216.080-050	8.0	50	1.0	8
P1216.080-055	8.0	55	1.0	8
P1216.080-060	8.0	60	1.0	8
P1216.080-065	8.0	65	1.0	8
P1216.080-070	8.0	70	1.0	8
P1216.080-080	8.0	80	1.0	8
P1216.080-090	8.0	90	1.0	8
P1216.080-100	8.0	100	1.0	8
P1216.100-028	10.0	28	1.2	10
P1216.100-030	10.0	30	1.2	10
P1216.100-032	10.0	32	1.2	10
P1216.100-036	10.0	36	1.2	10
P1216.100-040	10.0	40	1.2	10
P1216.100-045	10.0	45	1.2	10
P1216.100-050	10.0	50	1.2	10
P1216.100-055	10.0	55	1.2	10
P1216.100-060	10.0	60	1.2	10
P1216.100-065	10.0	65	1.2	10
P1216.100-070	10.0	70	1.2	10
P1216.100-080	10.0	80	1.2	10
P1216.100-090	10.0	90	1.2	10
P1216.100-100	10.0	100	1.2	10
P1216.100-110	10.0	110	1.2	10
P1216.100-120	10.0	120	1.2	10
P1216.100-130	10.0	130	1.2	10
P1216.120-030	12.0	30	1.6	12
P1216.120-032	12.0	32	1.6	12
P1216.120-036	12.0	36	1.6	12
P1216.120-040	12.0	40	1.6	12
P1216.120-045	12.0	45	1.6	12
P1216.120-050	12.0	50	1.6	12



Taper Pins

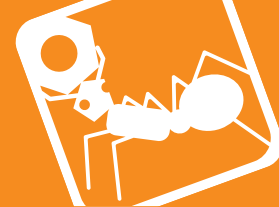
Steel



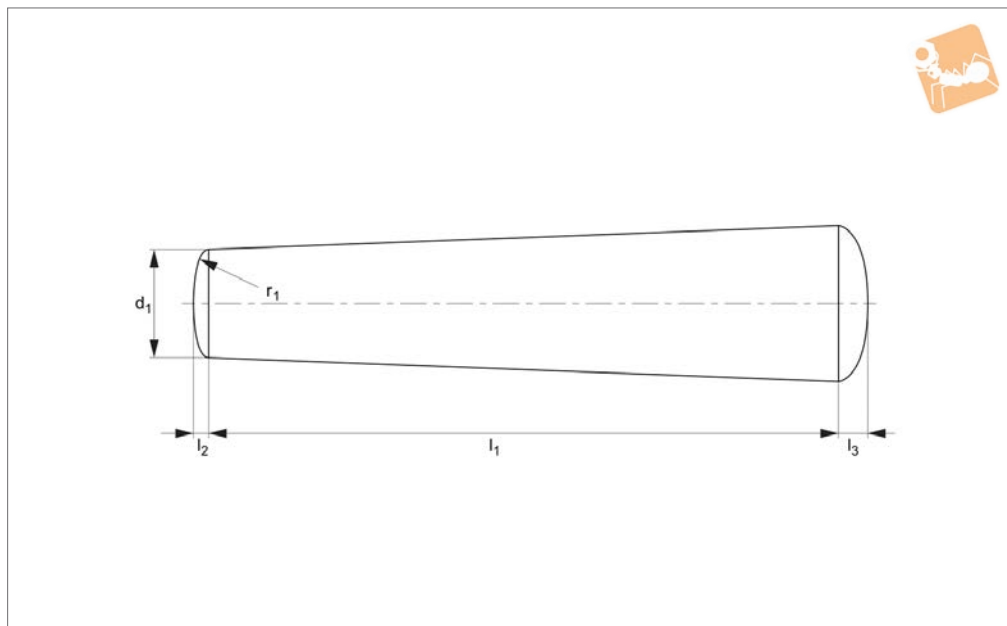
Dowel Pins

Order No.	d_1 tol. h10	l_1 js15	l_2 max.	l_3
P1216.120-055	12.0	55	1.6	12
P1216.120-060	12.0	60	1.6	12
P1216.120-065	12.0	65	1.6	12
P1216.120-070	12.0	70	1.6	12
P1216.120-080	12.0	80	1.6	12
P1216.120-090	12.0	90	1.6	12
P1216.120-100	12.0	100	1.6	12
P1216.120-110	12.0	110	1.6	12
P1216.120-120	12.0	120	1.6	12
P1216.120-130	12.0	130	1.6	12
P1216.140-036	14.0	36	1.6	14
P1216.140-040	14.0	40	1.6	14
P1216.140-045	14.0	45	1.6	14
P1216.140-050	14.0	50	1.6	14
P1216.140-055	14.0	55	1.6	14
P1216.140-060	14.0	60	1.6	14
P1216.140-065	14.0	65	1.6	14
P1216.140-070	14.0	70	1.6	14
P1216.140-080	14.0	80	1.6	14
P1216.140-090	14.0	90	1.6	14
P1216.140-100	14.0	100	1.6	14
P1216.140-110	14.0	110	1.6	14
P1216.140-120	14.0	120	1.6	14
P1216.140-130	14.0	130	1.6	14
P1216.140-140	14.0	140	1.6	14
P1216.140-150	14.0	150	1.6	14
P1216.160-036	16.0	36	2.0	16
P1216.160-040	16.0	40	2.0	16
P1216.160-045	16.0	45	2.0	16
P1216.160-050	16.0	50	2.0	16
P1216.160-055	16.0	55	2.0	16
P1216.160-060	16.0	60	2.0	16
P1216.160-065	16.0	65	2.0	16
P1216.160-070	16.0	70	2.0	16
P1216.160-080	16.0	80	2.0	16
P1216.160-090	16.0	90	2.0	16
P1216.160-100	16.0	100	2.0	16
P1216.160-110	16.0	110	2.0	16
P1216.160-120	16.0	120	2.0	16
P1216.160-130	16.0	130	2.0	16
P1216.160-140	16.0	140	2.0	16
P1216.160-150	16.0	150	2.0	16
P1216.200-040	20.0	40	2.5	20
P1216.200-045	20.0	45	2.5	20
P1216.200-050	20.0	50	2.5	20
P1216.200-055	20.0	55	2.5	20
P1216.200-060	20.0	60	2.5	20
P1216.200-065	20.0	65	2.5	20
P1216.200-070	20.0	70	2.5	20
P1216.200-080	20.0	80	2.5	20
P1216.200-090	20.0	90	2.5	20
P1216.200-100	20.0	100	2.5	20
P1216.200-110	20.0	110	2.5	20
P1216.200-120	20.0	120	2.5	20
P1216.200-130	20.0	130	2.5	20
P1216.200-140	20.0	140	2.5	20
P1216.200-150	20.0	150	2.5	20

DOWEL PINS



P1216.A2



Material

Stainless steel (A2, AISI 303).

Technical Notes

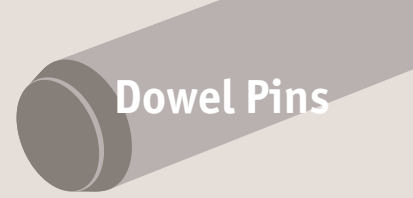
To DIN 1B. The nominal diameter is always the smaller end d and the taper is 2%.

Order No.	d_1 tol. h10	l_1 js15	l_2 max.	r_1
P1216.020-010-A2	2.0	10	0.3	2
P1216.020-012-A2	2.0	12	0.3	2
P1216.020-016-A2	2.0	16	0.3	2
P1216.020-020-A2	2.0	20	0.3	2
P1216.025-014-A2	2.5	14	0.4	2.5
P1216.025-016-A2	2.5	16	0.4	2.5
P1216.025-020-A2	2.5	20	0.4	2.5
P1216.025-024-A2	2.5	24	0.4	2.5
P1216.030-014-A2	3.0	14	0.45	3
P1216.030-016-A2	3.0	16	0.45	3
P1216.030-018-A2	3.0	18	0.45	3
P1216.030-020-A2	3.0	20	0.45	3
P1216.030-022-A2	3.0	22	0.45	3
P1216.030-024-A2	3.0	24	0.45	3
P1216.030-026-A2	3.0	26	0.45	3
P1216.030-028-A2	3.0	28	0.45	3
P1216.030-030-A2	3.0	30	0.45	3
P1216.030-036-A2	3.0	36	0.45	3
P1216.030-040-A2	3.0	40	0.45	3
P1216.030-050-A2	3.0	50	0.45	3
P1216.040-016-A2	4.0	16	0.6	4
P1216.040-018-A2	4.0	18	0.6	4
P1216.040-020-A2	4.0	20	0.6	4
P1216.040-022-A2	4.0	22	0.6	4
P1216.040-024-A2	4.0	24	0.6	4
P1216.040-026-A2	4.0	26	0.6	4
P1216.040-028-A2	4.0	28	0.6	4
P1216.040-030-A2	4.0	30	0.6	4
P1216.040-032-A2	4.0	32	0.6	4
P1216.040-036-A2	4.0	36	0.6	4
P1216.040-040-A2	4.0	40	0.6	4
P1216.040-045-A2	4.0	45	0.6	4
P1216.040-050-A2	4.0	50	0.6	4
P1216.040-060-A2	4.0	60	0.6	4



Taper Pins

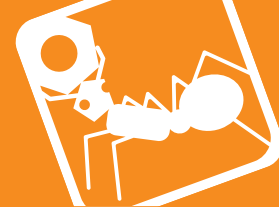
A2



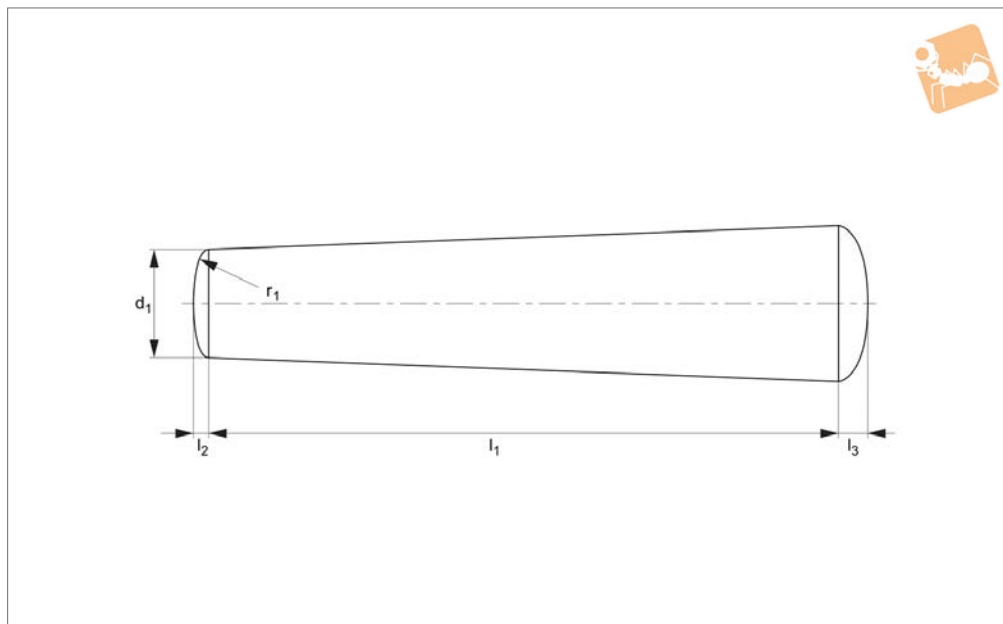
Dowel Pins

Order No.	d_1 tol. h10	l_1 js15	l_2 max.	r_1
P1216.050-016-A2	5.0	16	0.75	5
P1216.050-020-A2	5.0	20	0.75	5
P1216.050-024-A2	5.0	24	0.75	5
P1216.050-026-A2	5.0	26	0.75	5
P1216.050-030-A2	5.0	30	0.75	5
P1216.050-032-A2	5.0	32	0.75	5
P1216.050-036-A2	5.0	36	0.75	5
P1216.050-040-A2	5.0	40	0.75	5
P1216.050-045-A2	5.0	45	0.75	5
P1216.050-050-A2	5.0	50	0.75	5
P1216.050-055-A2	5.0	55	0.75	5
P1216.050-060-A2	5.0	60	0.75	5
P1216.050-070-A2	5.0	70	0.75	5
P1216.060-024-A2	6.0	24	0.9	6
P1216.060-026-A2	6.0	26	0.9	6
P1216.060-030-A2	6.0	30	0.9	6
P1216.060-032-A2	6.0	32	0.9	6
P1216.060-036-A2	6.0	36	0.9	6
P1216.060-040-A2	6.0	40	0.9	6
P1216.060-045-A2	6.0	45	0.9	6
P1216.060-050-A2	6.0	50	0.9	6
P1216.060-055-A2	6.0	55	0.9	6
P1216.060-060-A2	6.0	60	0.9	6
P1216.060-070-A2	6.0	70	0.9	6
P1216.060-080-A2	6.0	80	0.9	6
P1216.080-040-A2	8.0	40	1.2	8
P1216.080-045-A2	8.0	45	1.2	8
P1216.080-050-A2	8.0	50	1.2	8
P1216.080-055-A2	8.0	55	1.2	8
P1216.080-060-A2	8.0	60	1.2	8
P1216.080-070-A2	8.0	70	1.2	8
P1216.080-080-A2	8.0	80	1.2	8
P1216.080-090-A2	8.0	90	1.2	8
P1216.080-100-A2	8.0	100	1.2	8
P1216.100-032-A2	10.0	32	1.5	10
P1216.100-036-A2	10.0	36	1.5	10
P1216.100-040-A2	10.0	40	1.5	10
P1216.100-045-A2	10.0	45	1.5	10
P1216.100-050-A2	10.0	50	1.5	10
P1216.100-060-A2	10.0	60	1.5	10
P1216.100-070-A2	10.0	70	1.5	10
P1216.100-080-A2	10.0	80	1.5	10
P1216.100-090-A2	10.0	90	1.5	10
P1216.100-100-A2	10.0	100	1.5	10

DOWEL PINS



P1216.A4



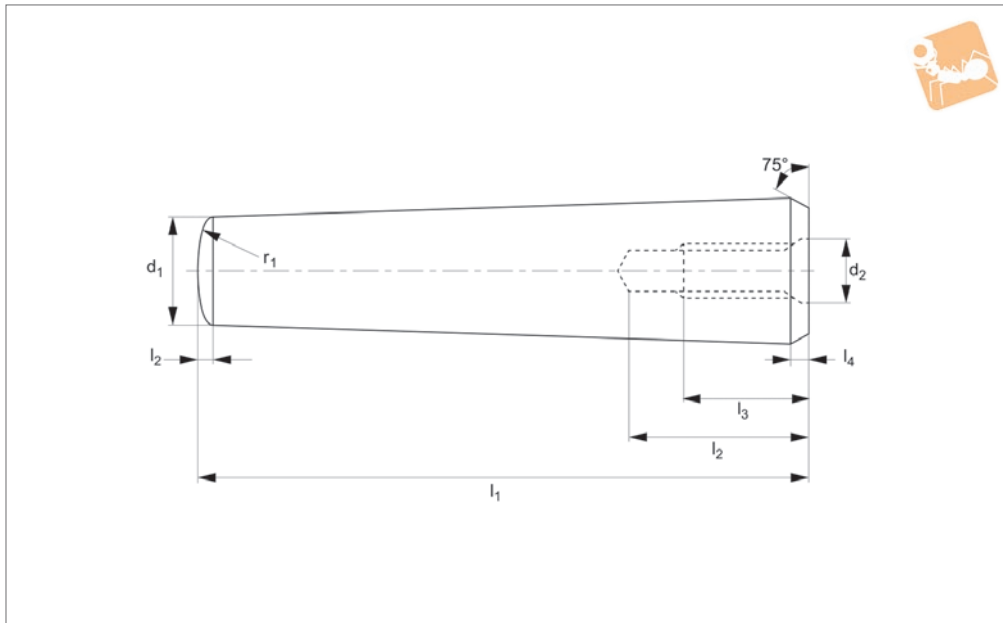
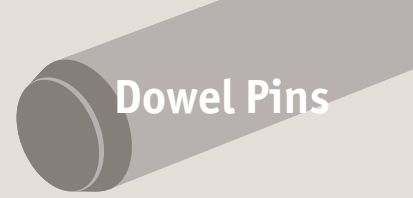
Material

Stainless steel (A4, AISI 316).

Technical Notes

To DIN 1B. The nominal diameter is always the smaller end d and the taper is 2%.

Order No.	d_1 tol. h10	l_1 js15	l_2 max.	r_1
P1216.040-030-A4	4.0	30	0.6	4
P1216.040-036-A4	4.0	36	0.6	4
P1216.040-040-A4	4.0	40	0.6	4
P1216.040-050-A4	4.0	50	0.6	4
P1216.040-060-A4	4.0	60	0.6	4
P1216.050-030-A4	5.0	30	0.75	5
P1216.050-032-A4	5.0	32	0.75	5
P1216.050-036-A4	5.0	36	0.75	5
P1216.050-040-A4	5.0	40	0.75	5
P1216.050-045-A4	5.0	45	0.75	5
P1216.050-050-A4	5.0	50	0.75	5
P1216.050-060-A4	5.0	60	0.75	5
P1216.050-070-A4	5.0	70	0.75	5
P1216.060-030-A4	6.0	30	0.9	6
P1216.060-032-A4	6.0	32	0.9	6
P1216.060-036-A4	6.0	36	0.9	6
P1216.060-040-A4	6.0	40	0.9	6
P1216.060-050-A4	6.0	50	0.9	6
P1216.060-060-A4	6.0	60	0.9	6
P1216.060-070-A4	6.0	70	0.9	6
P1216.060-080-A4	6.0	80	0.9	6
P1216.080-040-A4	8.0	40	1.2	8
P1216.080-045-A4	8.0	45	1.2	8
P1216.080-050-A4	8.0	50	1.2	8
P1216.080-060-A4	8.0	60	1.2	8
P1216.080-070-A4	8.0	70	1.2	8
P1216.080-080-A4	8.0	80	1.2	8
P1216.080-090-A4	8.0	90	1.2	8
P1216.100-050-A4	10.0	50	1.5	10
P1216.100-060-A4	10.0	60	1.5	10
P1216.100-070-A4	10.0	70	1.5	10
P1216.100-080-A4	10.0	80	1.5	10
P1216.100-090-A4	10.0	90	1.5	10



P1218

DOWEL PINS

Material

Mild steel (WS 1.0718, 9SMnPb28K), ground finish.

Technical Notes

To DIN 7978 (ISO 8736). The nominal diameter is always the smaller end d_1 and

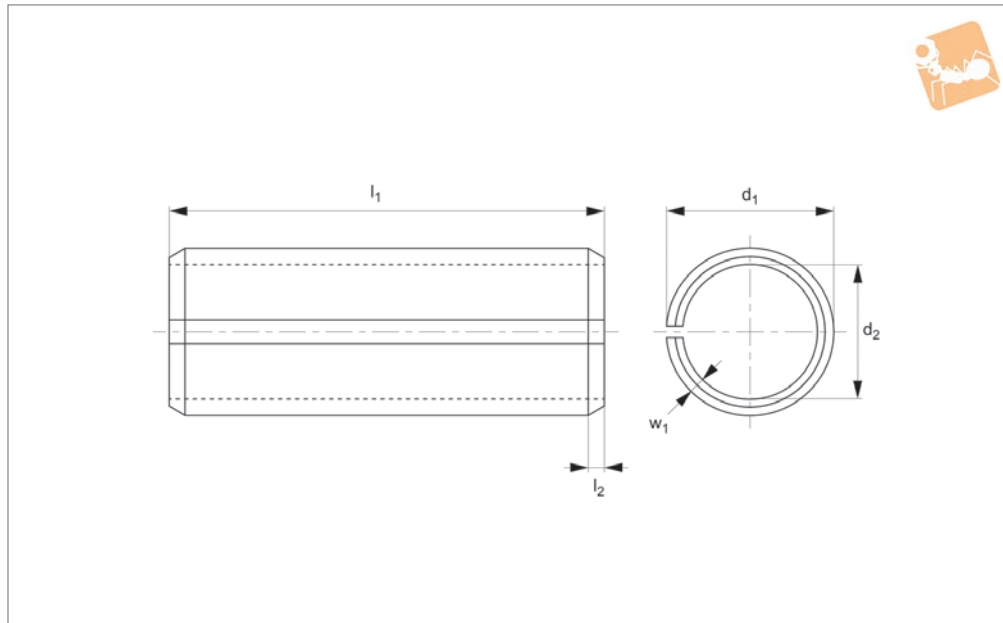
the taper is 2%.

Order No.	d_1	l_1 js15	l_2	l_3	l_4	d_2
P1218.060-016	6	16	10	6	0.8	M 4
P1218.060-018	6	18	10	6	0.8	M 4
P1218.060-020	6	20	10	6	0.8	M 4
P1218.060-024	6	24	10	6	0.8	M 4
P1218.060-026	6	26	10	6	0.8	M 4
P1218.060-028	6	28	10	6	0.8	M 4
P1218.060-030	6	30	10	6	0.8	M 4
P1218.060-032	6	32	10	6	0.8	M 4
P1218.060-036	6	36	10	6	0.8	M 4
P1218.060-040	6	40	10	6	0.8	M 4
P1218.060-045	6	45	10	6	0.8	M 4
P1218.060-050	6	50	10	6	0.8	M 4
P1218.060-055	6	55	10	6	0.8	M 4
P1218.060-060	6	60	10	6	0.8	M 4
P1218.060-070	6	70	10	6	0.8	M 4
P1218.060-090	6	90	10	6	0.8	M 4
P1218.080-020	8	20	12	8	1	M 5
P1218.080-024	8	24	12	8	1	M 5
P1218.080-026	8	26	12	8	1	M 5
P1218.080-028	8	28	12	8	1	M 5
P1218.080-030	8	30	12	8	1	M 5
P1218.080-032	8	32	12	8	1	M 5
P1218.080-036	8	36	12	8	1	M 5
P1218.080-040	8	40	12	8	1	M 5
P1218.080-045	8	45	12	8	1	M 5
P1218.080-050	8	50	12	8	1	M 5
P1218.080-055	8	55	12	8	1	M 5
P1218.080-060	8	60	12	8	1	M 5
P1218.080-070	8	70	12	8	1	M 5
P1218.080-090	8	90	12	8	1	M 5
P1218.080-100	8	100	12	8	1	M 5
P1218.080-110	8	110	12	8	1	M 5
P1218.080-120	8	120	12	8	1	M 5
P1218.100-024	10	24	16	10	1.2	M 6



DOWEL PINS

Order No.	d ₁	l ₁ js15	l ₂	l ₃	l ₄	d ₂
P1218.100-026	10	26	16	10	1.2	M 6
P1218.100-028	10	28	16	10	1.2	M 6
P1218.100-030	10	30	16	10	1.2	M 6
P1218.100-032	10	32	16	10	1.2	M 6
P1218.100-036	10	36	16	10	1.2	M 6
P1218.100-040	10	40	16	10	1.2	M 6
P1218.100-045	10	45	16	10	1.2	M 6
P1218.100-050	10	50	16	10	1.2	M 6
P1218.100-055	10	55	16	10	1.2	M 6
P1218.100-060	10	60	16	10	1.2	M 6
P1218.100-070	10	70	16	10	1.2	M 6
P1218.100-090	10	90	16	10	1.2	M 6
P1218.100-100	10	100	16	10	1.2	M 6
P1218.100-110	10	110	16	10	1.2	M 6
P1218.100-120	10	120	16	10	1.2	M 6
P1218.120-032	12	32	20	12	1.6	M 8
P1218.120-036	12	36	20	12	1.6	M 8
P1218.120-040	12	40	20	12	1.6	M 8
P1218.120-045	12	45	20	12	1.6	M 8
P1218.120-050	12	50	20	12	1.6	M 8
P1218.120-055	12	55	20	12	1.6	M 8
P1218.120-060	12	60	20	12	1.6	M 8
P1218.120-070	12	70	20	12	1.6	M 8
P1218.120-090	12	90	20	12	1.6	M 8
P1218.120-100	12	100	20	12	1.6	M 8
P1218.120-110	12	110	20	12	1.6	M 8
P1218.120-120	12	120	20	12	1.6	M 8
P1218.140-040	14	40	20	12	1.6	M 8
P1218.140-045	14	45	20	12	1.6	M 8
P1218.140-050	14	50	20	12	1.6	M 8
P1218.140-055	14	55	20	12	1.6	M 8
P1218.140-060	14	60	20	12	1.6	M 8
P1218.140-070	14	70	20	12	1.6	M 8
P1218.140-090	14	90	20	12	1.6	M 8
P1218.140-100	14	100	20	12	1.6	M 8
P1218.140-110	14	110	20	12	1.6	M 8
P1218.140-120	14	120	20	12	1.6	M 8
P1218.160-040	16	40	25	16	2	M10
P1218.160-045	16	45	25	16	2	M10
P1218.160-050	16	50	25	16	2	M10
P1218.160-055	16	55	25	16	2	M10
P1218.160-060	16	60	25	16	2	M10
P1218.160-070	16	70	25	16	2	M10
P1218.160-090	16	90	25	16	2	M10
P1218.160-100	16	100	25	16	2	M10
P1218.160-110	16	110	25	16	2	M10
P1218.160-120	16	120	25	16	2	M10
P1218.200-040	20	40	27	18	2.5	M12
P1218.200-045	20	45	27	18	2.5	M12
P1218.200-050	20	50	27	18	2.5	M12
P1218.200-055	20	55	27	18	2.5	M12
P1218.200-060	20	60	27	18	2.5	M12
P1218.200-070	20	70	27	18	2.5	M12
P1218.200-090	20	90	27	18	2.5	M12
P1218.200-100	20	100	27	18	2.5	M12
P1218.200-110	20	110	27	18	2.5	M12
P1218.200-120	20	120	27	18	2.5	M12



P1230

SPRING PINS

Material

Carbon steel (CS70), hardened and tempered to HV420-545.

Technical Notes

To DIN 1481 (ISO 8752). Slotted springs consist of a single coil of spring steel, with an open slot sufficiently wide enough to enable the pin to reduce in diameter, as it is driven into the hole. The ends of the

pin have a bevelled chamfer, they are designed for plain drilled holes, but a countersink makes assembly easier, especially for the ISO 8752 type. Recommended hole tolerance H12.

l_1 tolerances:-
 1-10mm long - $\pm 0,25$
 12-50mm long - $\pm 0,50$
 over 50mm long - $\pm 0,75$.

Pins with a d_1 dimension of $>10\text{mm}$ may be delivered with one chamfer.

Tips

Where pins are to be installed in plastic it is recommended that they are de-oiled before use to avoid embrittlement of the plastic.

Order No.	d_1 nom.	d_1 min.	d_1 max.	Hole min.	Hole max.	d_2	l_1	l_2	w	Double shear kN
P1230.010-004	1.0	1.2	1.3	1.0	1.10	0.8	4	0.15	0.2	0.7
P1230.010-005	1.0	1.2	1.3	1.0	1.10	0.8	5	0.15	0.2	0.7
P1230.010-006	1.0	1.2	1.3	1.0	1.10	0.8	6	0.15	0.2	0.7
P1230.010-008	1.0	1.2	1.3	1.0	1.10	0.8	8	0.15	0.2	0.7
P1230.010-010	1.0	1.2	1.3	1.0	1.10	0.8	10	0.15	0.2	0.7
P1230.010-012	1.0	1.2	1.3	1.0	1.10	0.8	12	0.15	0.2	0.7
P1230.010-014	1.0	1.2	1.3	1.0	1.10	0.8	14	0.15	0.2	0.7
P1230.010-016	1.0	1.2	1.3	1.0	1.10	0.8	16	0.15	0.2	0.7
P1230.010-018	1.0	1.2	1.3	1.0	1.10	0.8	18	0.15	0.2	0.7
P1230.010-020	1.0	1.2	1.3	1.0	1.10	0.8	20	0.15	0.2	0.7
P1230.015-004	1.5	1.7	1.8	1.5	1.60	1.1	4	0.25	0.3	1.58
P1230.015-006	1.5	1.7	1.8	1.5	1.60	1.1	6	0.25	0.3	1.58
P1230.015-008	1.5	1.7	1.8	1.5	1.60	1.1	8	0.25	0.3	1.58
P1230.015-010	1.5	1.7	1.8	1.5	1.60	1.1	10	0.25	0.3	1.58
P1230.015-012	1.5	1.7	1.8	1.5	1.60	1.1	12	0.25	0.3	1.58
P1230.015-014	1.5	1.7	1.8	1.5	1.60	1.1	14	0.25	0.3	1.58
P1230.015-016	1.5	1.7	1.8	1.5	1.60	1.1	16	0.25	0.3	1.58
P1230.015-018	1.5	1.7	1.8	1.5	1.60	1.1	18	0.25	0.3	1.58
P1230.015-020	1.5	1.7	1.8	1.5	1.60	1.1	20	0.25	0.3	1.58
P1230.015-022	1.5	1.7	1.8	1.5	1.60	1.1	22	0.25	0.3	1.58
P1230.015-024	1.5	1.7	1.8	1.5	1.60	1.1	24	0.25	0.3	1.58
P1230.015-026	1.5	1.7	1.8	1.5	1.60	1.1	26	0.25	0.3	1.58
P1230.015-028	1.5	1.7	1.8	1.5	1.60	1.1	28	0.25	0.3	1.58
P1230.015-030	1.5	1.7	1.8	1.5	1.60	1.1	30	0.25	0.3	1.58
P1230.020-004	2.0	2.3	2.4	2.0	2.10	1.5	4	0.35	0.4	2.82
P1230.020-006	2.0	2.3	2.4	2.0	2.10	1.5	5	0.35	0.4	2.82
P1230.020-008	2.0	2.3	2.4	2.0	2.10	1.5	8	0.35	0.4	2.82
P1230.020-010	2.0	2.3	2.4	2.0	2.10	1.5	10	0.35	0.4	2.82



Order No.	d ₁ nom.	d ₁ min.	d ₁ max.	Hole min.	Hole max.	d ₂	l ₁	l ₂	w	Double shear kN
P1230.020-012	2.0	2.3	2.4	2.0	2.10	1.5	12	0.35	0.4	2.82
P1230.020-014	2.0	2.3	2.4	2.0	2.10	1.5	14	0.35	0.4	2.82
P1230.020-016	2.0	2.3	2.4	2.0	2.10	1.5	16	0.35	0.4	2.82
P1230.020-018	2.0	2.3	2.4	2.0	2.10	1.5	18	0.35	0.4	2.82
P1230.020-020	2.0	2.3	2.4	2.0	2.10	1.5	20	0.35	0.4	2.82
P1230.020-022	2.0	2.3	2.4	2.0	2.10	1.5	22	0.35	0.4	2.82
P1230.020-024	2.0	2.3	2.4	2.0	2.10	1.5	24	0.35	0.4	2.82
P1230.020-026	2.0	2.3	2.4	2.0	2.10	1.5	26	0.35	0.4	2.82
P1230.020-028	2.0	2.3	2.4	2.0	2.10	1.5	28	0.35	0.4	2.82
P1230.020-030	2.0	2.3	2.4	2.0	2.10	1.5	30	0.35	0.4	2.82
P1230.020-035	2.0	2.3	2.4	2.0	2.10	1.5	35	0.35	0.4	2.82
P1230.020-040	2.0	2.3	2.4	2.0	2.10	1.5	40	0.35	0.4	2.82
P1230.025-004	2.5	2.8	2.9	2.5	2.60	1.8	4	0.4	0.5	4.38
P1230.025-005	2.5	2.8	2.9	2.5	2.60	1.8	5	0.4	0.5	4.38
P1230.025-006	2.5	2.8	2.9	2.5	2.60	1.8	6	0.4	0.5	4.38
P1230.025-008	2.5	2.8	2.9	2.5	2.60	1.8	8	0.4	0.5	4.38
P1230.025-010	2.5	2.8	2.9	2.5	2.60	1.8	10	0.4	0.5	4.38
P1230.025-012	2.5	2.8	2.9	2.5	2.60	1.8	12	0.4	0.5	4.38
P1230.025-014	2.5	2.8	2.9	2.5	2.60	1.8	14	0.4	0.5	4.38
P1230.025-016	2.5	2.8	2.9	2.5	2.60	1.8	16	0.4	0.5	4.38
P1230.025-018	2.5	2.8	2.9	2.5	2.60	1.8	18	0.4	0.5	4.38
P1230.025-020	2.5	2.8	2.9	2.5	2.60	1.8	20	0.4	0.5	4.38
P1230.025-022	2.5	2.8	2.9	2.5	2.60	1.8	22	0.4	0.5	4.38
P1230.025-024	2.5	2.8	2.9	2.5	2.60	1.8	24	0.4	0.5	4.38
P1230.025-026	2.5	2.8	2.9	2.5	2.60	1.8	26	0.4	0.5	4.38
P1230.025-028	2.5	2.8	2.9	2.5	2.60	1.8	28	0.4	0.5	4.38
P1230.025-030	2.5	2.8	2.9	2.5	2.60	1.8	30	0.4	0.5	4.38
P1230.025-035	2.5	2.8	2.9	2.5	2.60	1.8	35	0.4	0.5	4.38
P1230.025-040	2.5	2.8	2.9	2.5	2.60	1.8	40	0.4	0.5	4.38
P1230.030-004	3.0	3.3	3.5	3.0	3.10	2.1	4	0.5	0.6	6.32
P1230.030-005	3.0	3.3	3.5	3.0	3.10	2.1	5	0.5	0.6	6.32
P1230.030-006	3.0	3.3	3.5	3.0	3.10	2.1	6	0.5	0.6	6.32
P1230.030-008	3.0	3.3	3.5	3.0	3.10	2.1	8	0.5	0.6	6.32
P1230.030-010	3.0	3.3	3.5	3.0	3.10	2.1	10	0.5	0.6	6.32
P1230.030-012	3.0	3.3	3.5	3.0	3.10	2.1	12	0.5	0.6	6.32
P1230.030-014	3.0	3.3	3.5	3.0	3.10	2.1	14	0.5	0.6	6.32
P1230.030-016	3.0	3.3	3.5	3.0	3.10	2.1	16	0.5	0.6	6.32
P1230.030-018	3.0	3.3	3.5	3.0	3.10	2.1	18	0.5	0.6	6.32
P1230.030-020	3.0	3.3	3.5	3.0	3.10	2.1	20	0.5	0.6	6.32
P1230.030-022	3.0	3.3	3.5	3.0	3.10	2.1	22	0.5	0.6	6.32
P1230.030-024	3.0	3.3	3.5	3.0	3.10	2.1	24	0.5	0.6	6.32
P1230.030-026	3.0	3.3	3.5	3.0	3.10	2.1	26	0.5	0.6	6.32
P1230.030-028	3.0	3.3	3.5	3.0	3.10	2.1	28	0.5	0.6	6.32
P1230.030-030	3.0	3.3	3.5	3.0	3.10	2.1	30	0.5	0.6	6.32
P1230.030-035	3.0	3.3	3.5	3.0	3.10	2.1	35	0.5	0.6	6.32
P1230.030-040	3.0	3.3	3.5	3.0	3.10	2.1	40	0.5	0.6	6.32
P1230.030-045	3.0	3.3	3.5	3.0	3.10	2.1	45	0.5	0.6	6.32
P1230.035-004	3.5	3.8	4.0	3.5	3.62	2.3	4	0.6	0.7	9.06
P1230.035-005	3.5	3.8	4.0	3.5	3.62	2.3	5	0.6	0.7	9.06
P1230.035-006	3.5	3.8	4.0	3.5	3.62	2.3	6	0.6	0.7	9.06
P1230.035-008	3.5	3.8	4.0	3.5	3.62	2.3	8	0.6	0.7	9.06
P1230.035-010	3.5	3.8	4.0	3.5	3.62	2.3	10	0.6	0.7	9.06
P1230.035-012	3.5	3.8	4.0	3.5	3.62	2.3	12	0.6	0.7	9.06
P1230.035-014	3.5	3.8	4.0	3.5	3.62	2.3	14	0.6	0.7	9.06
P1230.035-016	3.5	3.8	4.0	3.5	3.62	2.3	16	0.6	0.7	9.06
P1230.035-018	3.5	3.8	4.0	3.5	3.62	2.3	18	0.6	0.7	9.06
P1230.035-020	3.5	3.8	4.0	3.5	3.62	2.3	20	0.6	0.7	9.06
P1230.035-022	3.5	3.8	4.0	3.5	3.62	2.3	22	0.6	0.7	9.06
P1230.035-024	3.5	3.8	4.0	3.5	3.62	2.3	24	0.6	0.7	9.06
P1230.035-026	3.5	3.8	4.0	3.5	3.62	2.3	26	0.6	0.7	9.06
P1230.035-028	3.5	3.8	4.0	3.5	3.62	2.3	28	0.6	0.7	9.06
P1230.035-030	3.5	3.8	4.0	3.5	3.62	2.3	30	0.6	0.7	9.06
P1230.035-035	3.5	3.8	4.0	3.5	3.62	2.3	35	0.6	0.7	9.06
P1230.035-040	3.5	3.8	4.0	3.5	3.62	2.3	40	0.6	0.7	9.06
P1230.035-045	3.5	3.8	4.0	3.5	3.62	2.3	45	0.6	0.7	9.06
P1230.035-050	3.5	3.8	4.0	3.5	3.62	2.3	50	0.6	0.7	9.06
P1230.040-004	4.0	4.4	4.6	4.0	4.12	2.8	4	0.65	0.8	11.24
P1230.040-005	4.0	4.4	4.6	4.0	4.12	2.8	5	0.65	0.8	11.24



Steel Slotted Pins



Spring Pins

Order No.	d ₁ nom.	d ₁ min.	d ₁ max.	Hole min.	Hole max.	d ₂	l ₁	l ₂	w	Double shear kN
P1230.040-006	4.0	4.4	4.6	4.0	4.12	2.8	6	0.65	0.8	11.24
P1230.040-008	4.0	4.4	4.6	4.0	4.12	2.8	8	0.65	0.8	11.24
P1230.040-010	4.0	4.4	4.6	4.0	4.12	2.8	10	0.65	0.8	11.24
P1230.040-012	4.0	4.4	4.6	4.0	4.12	2.8	12	0.65	0.8	11.24
P1230.040-014	4.0	4.4	4.6	4.0	4.12	2.8	14	0.65	0.8	11.24
P1230.040-016	4.0	4.4	4.6	4.0	4.12	2.8	16	0.65	0.8	11.24
P1230.040-018	4.0	4.4	4.6	4.0	4.12	2.8	18	0.65	0.8	11.24
P1230.040-020	4.0	4.4	4.6	4.0	4.12	2.8	20	0.65	0.8	11.24
P1230.040-022	4.0	4.4	4.6	4.0	4.12	2.8	22	0.65	0.8	11.24
P1230.040-024	4.0	4.4	4.6	4.0	4.12	2.8	24	0.65	0.8	11.24
P1230.040-026	4.0	4.4	4.6	4.0	4.12	2.8	26	0.65	0.8	11.24
P1230.040-028	4.0	4.4	4.6	4.0	4.12	2.8	28	0.65	0.8	11.24
P1230.040-030	4.0	4.4	4.6	4.0	4.12	2.8	30	0.65	0.8	11.24
P1230.040-035	4.0	4.4	4.6	4.0	4.12	2.8	35	0.65	0.8	11.24
P1230.040-040	4.0	4.4	4.6	4.0	4.12	2.8	40	0.65	0.8	11.24
P1230.040-045	4.0	4.4	4.6	4.0	4.12	2.8	45	0.65	0.8	11.24
P1230.040-050	4.0	4.4	4.6	4.0	4.12	2.8	50	0.65	0.8	11.24
P1230.040-055	4.0	4.4	4.6	4.0	4.12	2.8	55	0.65	0.8	11.24
P1230.040-060	4.0	4.4	4.6	4.0	4.12	2.8	60	0.65	0.8	11.24
P1230.050-006	5.0	5.4	5.6	5.0	5.12	3.4	6	0.9	1.0	17.54
P1230.050-008	5.0	5.4	5.6	5.0	5.12	3.4	8	0.9	1.0	17.54
P1230.050-010	5.0	5.4	5.6	5.0	5.12	3.4	10	0.9	1.0	17.54
P1230.050-012	5.0	5.4	5.6	5.0	5.12	3.4	12	0.9	1.0	17.54
P1230.050-014	5.0	5.4	5.6	5.0	5.12	3.4	14	0.9	1.0	17.54
P1230.050-016	5.0	5.4	5.6	5.0	5.12	3.4	16	0.9	1.0	17.54
P1230.050-018	5.0	5.4	5.6	5.0	5.12	3.4	18	0.9	1.0	17.54
P1230.050-020	5.0	5.4	5.6	5.0	5.12	3.4	20	0.9	1.0	17.54
P1230.050-022	5.0	5.4	5.6	5.0	5.12	3.4	22	0.9	1.0	17.54
P1230.050-024	5.0	5.4	5.6	5.0	5.12	3.4	24	0.9	1.0	17.54
P1230.050-026	5.0	5.4	5.6	5.0	5.12	3.4	26	0.9	1.0	17.54
P1230.050-028	5.0	5.4	5.6	5.0	5.12	3.4	28	0.9	1.0	17.54
P1230.050-030	5.0	5.4	5.6	5.0	5.12	3.4	30	0.9	1.0	17.54
P1230.050-035	5.0	5.4	5.6	5.0	5.12	3.4	35	0.9	1.0	17.54
P1230.050-040	5.0	5.4	5.6	5.0	5.12	3.4	40	0.9	1.0	17.54
P1230.050-045	5.0	5.4	5.6	5.0	5.12	3.4	45	0.9	1.0	17.54
P1230.050-050	5.0	5.4	5.6	5.0	5.12	3.4	50	0.9	1.0	17.54
P1230.050-055	5.0	5.4	5.6	5.0	5.12	3.4	55	0.9	1.0	17.54
P1230.050-060	5.0	5.4	5.6	5.0	5.12	3.4	60	0.9	1.0	17.54
P1230.050-065	5.0	5.4	5.6	5.0	5.12	3.4	65	0.9	1.0	17.54
P1230.050-070	5.0	5.4	5.6	5.0	5.12	3.4	70	0.9	1.0	17.54
P1230.050-075	5.0	5.4	5.6	5.0	5.12	3.4	75	0.9	1.0	17.54
P1230.050-080	5.0	5.4	5.6	5.0	5.12	3.4	80	0.9	1.0	17.54
P1230.060-008	6.0	6.4	6.7	6.0	6.12	3.9	8	1.2	1.2	26.04
P1230.060-010	6.0	6.4	6.7	6.0	6.12	3.9	10	1.2	1.2	26.04
P1230.060-012	6.0	6.4	6.7	6.0	6.12	3.9	12	1.2	1.2	26.04
P1230.060-014	6.0	6.4	6.7	6.0	6.12	3.9	14	1.2	1.2	26.04
P1230.060-016	6.0	6.4	6.7	6.0	6.12	3.9	16	1.2	1.2	26.04
P1230.060-018	6.0	6.4	6.7	6.0	6.12	3.9	18	1.2	1.2	26.04
P1230.060-020	6.0	6.4	6.7	6.0	6.12	3.9	20	1.2	1.2	26.04
P1230.060-022	6.0	6.4	6.7	6.0	6.12	3.9	22	1.2	1.2	26.04
P1230.060-024	6.0	6.4	6.7	6.0	6.12	3.9	24	1.2	1.2	26.04
P1230.060-026	6.0	6.4	6.7	6.0	6.12	3.9	26	1.2	1.2	26.04
P1230.060-028	6.0	6.4	6.7	6.0	6.12	3.9	28	1.2	1.2	26.04
P1230.060-030	6.0	6.4	6.7	6.0	6.12	3.9	30	1.2	1.2	26.04
P1230.060-035	6.0	6.4	6.7	6.0	6.12	3.9	35	1.2	1.2	26.04
P1230.060-040	6.0	6.4	6.7	6.0	6.12	3.9	40	1.2	1.2	26.04
P1230.060-045	6.0	6.4	6.7	6.0	6.12	3.9	45	1.2	1.2	26.04
P1230.060-050	6.0	6.4	6.7	6.0	6.12	3.9	50	1.2	1.2	26.04
P1230.060-055	6.0	6.4	6.7	6.0	6.12	3.9	55	1.2	1.2	26.04
P1230.060-060	6.0	6.4	6.7	6.0	6.12	3.9	60	1.2	1.2	26.04
P1230.060-065	6.0	6.4	6.7	6.0	6.12	3.9	65	1.2	1.2	26.04
P1230.060-070	6.0	6.4	6.7	6.0	6.12	3.9	70	1.2	1.2	26.04
P1230.060-075	6.0	6.4	6.7	6.0	6.12	3.9	75	1.2	1.2	26.04
P1230.060-080	6.0	6.4	6.7	6.0	6.12	3.9	80	1.2	1.2	26.04
P1230.060-085	6.0	6.4	6.7	6.0	6.12	3.9	85	1.2	1.2	26.04
P1230.060-090	6.0	6.4	6.7	6.0	6.12	3.9	90	1.2	1.2	26.04
P1230.060-095	6.0	6.4	6.7	6.0	6.12	3.9	95	1.2	1.2	26.04
P1230.060-100	6.0	6.4	6.7	6.0	6.12	3.9	100	1.2	1.2	26.04

SPRING PINS



Order No.	d ₁ nom.	d ₁ min.	d ₁ max.	Hole min.	Hole max.	d ₂	l ₁	l ₂	w	Double shear kN
P1230.080-008	8.0	8.5	8.8	8.0	8.15	5.5	8	2.0	1.5	42.76
P1230.080-010	8.0	8.5	8.8	8.0	8.15	5.5	10	2.0	1.5	42.76
P1230.080-012	8.0	8.5	8.8	8.0	8.15	5.5	12	2.0	1.5	42.76
P1230.080-014	8.0	8.5	8.8	8.0	8.15	5.5	14	2.0	1.5	42.76
P1230.080-016	8.0	8.5	8.8	8.0	8.15	5.5	16	2.0	1.5	42.76
P1230.080-018	8.0	8.5	8.8	8.0	8.15	5.5	18	2.0	1.5	42.76
P1230.080-020	8.0	8.5	8.8	8.0	8.15	5.5	20	2.0	1.5	42.76
P1230.080-022	8.0	8.5	8.8	8.0	8.15	5.5	22	2.0	1.5	42.76
P1230.080-024	8.0	8.5	8.8	8.0	8.15	5.5	24	2.0	1.5	42.76
P1230.080-026	8.0	8.5	8.8	8.0	8.15	5.5	26	2.0	1.5	42.76
P1230.080-028	8.0	8.5	8.8	8.0	8.15	5.5	28	2.0	1.5	42.76
P1230.080-030	8.0	8.5	8.8	8.0	8.15	5.5	30	2.0	1.5	42.76
P1230.080-035	8.0	8.5	8.8	8.0	8.15	5.5	35	2.0	1.5	42.76
P1230.080-040	8.0	8.5	8.8	8.0	8.15	5.5	40	2.0	1.5	42.76
P1230.080-045	8.0	8.5	8.8	8.0	8.15	5.5	45	2.0	1.5	42.76
P1230.080-050	8.0	8.5	8.8	8.0	8.15	5.5	50	2.0	1.5	42.76
P1230.080-055	8.0	8.5	8.8	8.0	8.15	5.5	55	2.0	1.5	42.76
P1230.080-060	8.0	8.5	8.8	8.0	8.15	5.5	60	2.0	1.5	42.76
P1230.080-065	8.0	8.5	8.8	8.0	8.15	5.5	65	2.0	1.5	42.76
P1230.080-070	8.0	8.5	8.8	8.0	8.15	5.5	70	2.0	1.5	42.76
P1230.080-075	8.0	8.5	8.8	8.0	8.15	5.5	75	2.0	1.5	42.76
P1230.080-080	8.0	8.5	8.8	8.0	8.15	5.5	80	2.0	1.5	42.76
P1230.080-085	8.0	8.5	8.8	8.0	8.15	5.5	85	2.0	1.5	42.76
P1230.080-090	8.0	8.5	8.8	8.0	8.15	5.5	90	2.0	1.5	42.76
P1230.080-095	8.0	8.5	8.8	8.0	8.15	5.5	95	2.0	1.5	42.76
P1230.080-100	8.0	8.5	8.8	8.0	8.15	5.5	100	2.0	1.5	42.76
P1230.080-120	8.0	8.5	8.8	8.0	8.15	5.5	120	2.0	1.5	42.76
P1230.100-010	10.0	10.5	10.8	10.0	10.5	6.5	10	2.0	2.0	70.16
P1230.100-012	10.0	10.5	10.8	10.0	10.5	6.5	12	2.0	2.0	70.16
P1230.100-014	10.0	10.5	10.8	10.0	10.5	6.5	14	2.0	2.0	70.16
P1230.100-016	10.0	10.5	10.8	10.0	10.5	6.5	16	2.0	2.0	70.16
P1230.100-018	10.0	10.5	10.8	10.0	10.5	6.5	18	2.0	2.0	70.16
P1230.100-020	10.0	10.5	10.8	10.0	10.5	6.5	20	2.0	2.0	70.16
P1230.100-022	10.0	10.5	10.8	10.0	10.5	6.5	22	2.0	2.0	70.16
P1230.100-024	10.0	10.5	10.8	10.0	10.5	6.5	24	2.0	2.0	70.16
P1230.100-026	10.0	10.5	10.8	10.0	10.5	6.5	26	2.0	2.0	70.16
P1230.100-028	10.0	10.5	10.8	10.0	10.5	6.5	28	2.0	2.0	70.16
P1230.100-030	10.0	10.5	10.8	10.0	10.5	6.5	30	2.0	2.0	70.16
P1230.100-035	10.0	10.5	10.8	10.0	10.5	6.5	35	2.0	2.0	70.16
P1230.100-040	10.0	10.5	10.8	10.0	10.5	6.5	40	2.0	2.0	70.16
P1230.100-045	10.0	10.5	10.8	10.0	10.5	6.5	45	2.0	2.0	70.16
P1230.100-050	10.0	10.5	10.8	10.0	10.5	6.5	50	2.0	2.0	70.16
P1230.100-055	10.0	10.5	10.8	10.0	10.5	6.5	55	2.0	2.0	70.16
P1230.100-060	10.0	10.5	10.8	10.0	10.5	6.5	60	2.0	2.0	70.16
P1230.100-065	10.0	10.5	10.8	10.0	10.5	6.5	65	2.0	2.0	70.16
P1230.100-070	10.0	10.5	10.8	10.0	10.5	6.5	70	2.0	2.0	70.16
P1230.100-075	10.0	10.5	10.8	10.0	10.5	6.5	75	2.0	2.0	70.16
P1230.100-080	10.0	10.5	10.8	10.0	10.5	6.5	80	2.0	2.0	70.16
P1230.100-085	10.0	10.5	10.8	10.0	10.5	6.5	85	2.0	2.0	70.16
P1230.100-090	10.0	10.5	10.8	10.0	10.5	6.5	90	2.0	2.0	70.16
P1230.100-095	10.0	10.5	10.8	10.0	10.5	6.5	95	2.0	2.0	70.16
P1230.100-100	10.0	10.5	10.8	10.0	10.5	6.5	100	2.0	2.0	70.16
P1230.100-120	10.0	10.5	10.8	10.0	10.5	6.5	120	2.0	2.0	70.16
P1230.100-130	10.0	10.5	10.8	10.0	10.5	6.5	130	2.0	2.0	70.16
P1230.100-140	10.0	10.5	10.8	10.0	10.5	6.5	140	2.0	2.0	70.16
P1230.100-150	10.0	10.5	10.8	10.0	10.5	6.5	150	2.0	2.0	70.16
P1230.100-160	10.0	10.5	10.8	10.0	10.5	6.5	160	2.0	2.0	70.16
P1230.120-010	12.0	12.5	12.8	12.0	12.17	7.5	10	2.0	2.5	104.1
P1230.120-012	12.0	12.5	12.8	12.0	12.17	7.5	12	2.0	2.5	104.1
P1230.120-014	12.0	12.5	12.8	12.0	12.17	7.5	14	2.0	2.5	104.1
P1230.120-016	12.0	12.5	12.8	12.0	12.17	7.5	16	2.0	2.5	104.1
P1230.120-018	12.0	12.5	12.8	12.0	12.17	7.5	18	2.0	2.5	104.1
P1230.120-020	12.0	12.5	12.8	12.0	12.17	7.5	20	2.0	2.5	104.1
P1230.120-022	12.0	12.5	12.8	12.0	12.17	7.5	22	2.0	2.5	104.1
P1230.120-024	12.0	12.5	12.8	12.0	12.17	7.5	24	2.0	2.5	104.1
P1230.120-026	12.0	12.5	12.8	12.0	12.17	7.5	26	2.0	2.5	104.1
P1230.120-028	12.0	12.5	12.8	12.0	12.17	7.5	28	2.0	2.5	104.1
P1230.120-030	12.0	12.5	12.8	12.0	12.17	7.5	30	2.0	2.5	104.1



Steel Slotted Pins

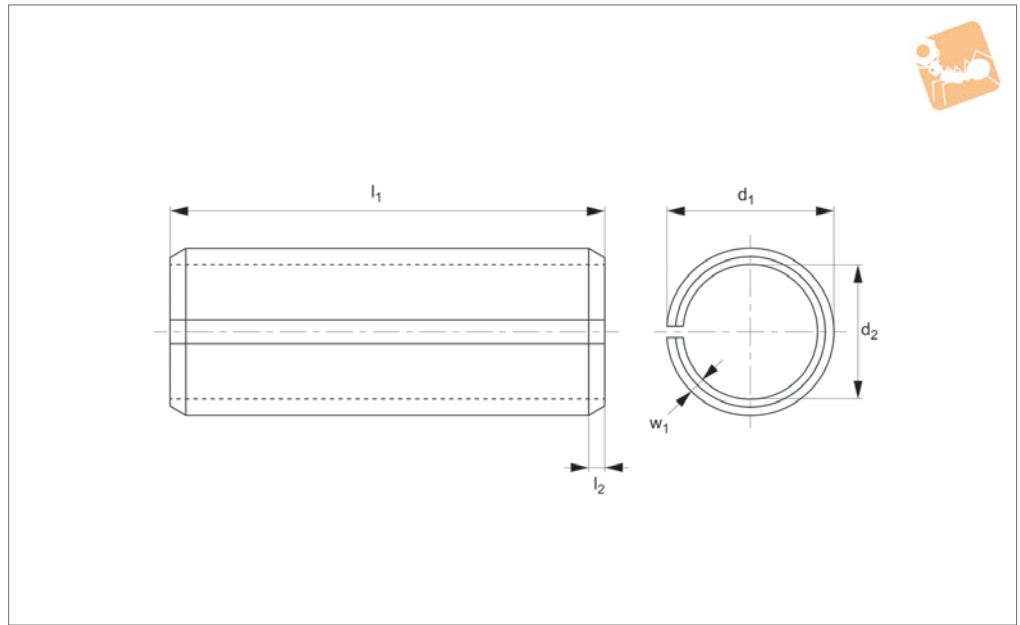


Spring Pins

Order No.	d ₁ nom.	d ₁ min.	d ₁ max.	Hole min.	Hole max.	d ₂	l ₁	l ₂	w	Double shear kN
P1230.120-035	12.0	12.5	12.8	12.0	12.17	7.5	35	2.0	2.5	104.1
P1230.120-040	12.0	12.5	12.8	12.0	12.17	7.5	40	2.0	2.5	104.1
P1230.120-045	12.0	12.5	12.8	12.0	12.17	7.5	45	2.0	2.5	104.1
P1230.120-050	12.0	12.5	12.8	12.0	12.17	7.5	50	2.0	2.5	104.1
P1230.120-055	12.0	12.5	12.8	12.0	12.17	7.5	55	2.0	2.5	104.1
P1230.120-060	12.0	12.5	12.8	12.0	12.17	7.5	60	2.0	2.5	104.1
P1230.120-065	12.0	12.5	12.8	12.0	12.17	7.5	65	2.0	2.5	104.1
P1230.120-070	12.0	12.5	12.8	12.0	12.17	7.5	70	2.0	2.5	104.1
P1230.120-075	12.0	12.5	12.8	12.0	12.17	7.5	75	2.0	2.5	104.1
P1230.120-080	12.0	12.5	12.8	12.0	12.17	7.5	80	2.0	2.5	104.1
P1230.120-085	12.0	12.5	12.8	12.0	12.17	7.5	85	2.0	2.5	104.1
P1230.120-090	12.0	12.5	12.8	12.0	12.17	7.5	90	2.0	2.5	104.1
P1230.120-095	12.0	12.5	12.8	12.0	12.17	7.5	95	2.0	2.5	104.1
P1230.120-100	12.0	12.5	12.8	12.0	12.17	7.5	100	2.0	2.5	104.1
P1230.120-120	12.0	12.5	12.8	12.0	12.17	7.5	120	2.0	2.5	104.1
P1230.120-130	12.0	12.5	12.8	12.0	12.17	7.5	130	2.0	2.5	104.1
P1230.120-140	12.0	12.5	12.8	12.0	12.17	7.5	140	2.0	2.5	104.1
P1230.120-150	12.0	12.5	12.8	12.0	12.17	7.5	150	2.0	2.5	104.1
P1230.120-160	12.0	12.5	12.8	12.0	12.17	7.5	160	2.0	2.5	104.1



P1231



Material
Stainless steel (A2).

Technical Notes
To DIN 1481 (ISO 8752). Slotted springs consist of a single coil of spring steel, with an open slot sufficiently wide enough to enable the pin to reduce in diameter, as it is driven into the hole. The ends of the

pin have a bevelled chamfer, they are designed for plain drilled holes, but a countersink makes assembly easier, especially for the ISO 8752 type. Recommended hole tolerance H12.
 l_1 tolerances:-
1-10mm long - $\pm 0,25$
12-50mm long - $\pm 0,50$

over 50mm long - $\pm 0,75$.
Pins with a d_1 dimension of $>10\text{mm}$ may be delivered with one chamfer.

Tips
Where pins are to be installed in plastic it is recommended that they are de-oiled before use to avoid embrittlement of the plastic.

Order No.	d_1 nom.	d_1 min.	d_1 max.	Hole min.	Hole max.	d_2	l_1	l_2	w_1	Double shear kN
P1231.010-004	1.0	1.2	1.3	1.0	1.10	0.8	4	0.15	0.2	0.4
P1231.010-005	1.0	1.2	1.3	1.0	1.10	0.8	5	0.15	0.2	0.4
P1231.010-006	1.0	1.2	1.3	1.0	1.10	0.8	6	0.15	0.2	0.4
P1231.010-008	1.0	1.2	1.3	1.0	1.10	0.8	8	0.15	0.2	0.4
P1231.010-010	1.0	1.2	1.3	1.0	1.10	0.8	10	0.15	0.2	0.4
P1231.010-012	1.0	1.2	1.3	1.0	1.10	0.8	12	0.15	0.2	0.4
P1231.010-014	1.0	1.2	1.3	1.0	1.10	0.8	14	0.15	0.2	0.4
P1231.010-016	1.0	1.2	1.3	1.0	1.10	0.8	16	0.15	0.2	0.4
P1231.010-018	1.0	1.2	1.3	1.0	1.10	0.8	18	0.15	0.2	0.4
P1231.010-020	1.0	1.2	1.3	1.0	1.10	0.8	20	0.15	0.2	0.4
P1231.015-004	1.5	1.7	1.8	1.5	1.60	1.1	4	0.25	0.3	0.98
P1231.015-005	1.5	1.7	1.8	1.5	1.60	1.1	5	0.25	0.3	0.98
P1231.015-006	1.5	1.7	1.8	1.5	1.60	1.1	6	0.25	0.3	0.98
P1231.015-008	1.5	1.7	1.8	1.5	1.60	1.1	8	0.25	0.3	0.98
P1231.015-010	1.5	1.7	1.8	1.5	1.60	1.1	10	0.25	0.3	0.98
P1231.015-012	1.5	1.7	1.8	1.5	1.60	1.1	12	0.25	0.3	0.98
P1231.015-014	1.5	1.7	1.8	1.5	1.60	1.1	14	0.25	0.3	0.98
P1231.015-016	1.5	1.7	1.8	1.5	1.60	1.1	16	0.25	0.3	0.98
P1231.015-018	1.5	1.7	1.8	1.5	1.60	1.1	18	0.25	0.3	0.98
P1231.015-020	1.5	1.7	1.8	1.5	1.60	1.1	20	0.25	0.3	0.98
P1231.015-022	1.5	1.7	1.8	1.5	1.60	1.1	22	0.25	0.3	0.98
P1231.015-024	1.5	1.7	1.8	1.5	1.60	1.1	24	0.25	0.3	0.98
P1231.020-004	2.0	2.3	2.4	2.0	2.10	1.5	4	0.35	0.4	1.81
P1231.020-005	2.0	2.3	2.4	2.0	2.10	1.5	5	0.35	0.4	1.81
P1231.020-006	2.0	2.3	2.4	2.0	2.10	1.5	6	0.35	0.4	1.81
P1231.020-008	2.0	2.3	2.4	2.0	2.10	1.5	8	0.35	0.4	1.81
P1231.020-010	2.0	2.3	2.4	2.0	2.10	1.5	10	0.35	0.4	1.81
P1231.020-012	2.0	2.3	2.4	2.0	2.10	1.5	12	0.35	0.4	1.81
P1231.020-014	2.0	2.3	2.4	2.0	2.10	1.5	14	0.35	0.4	1.81



Stainless Slotted Spring Pins



Order No.	d ₁ nom.	d ₁ min.	d ₁ max.	Hole min.	Hole max.	d ₂	l ₁	l ₂	w ₁	Double shear kN
P1231.020-016	2.0	2.3	2.4	2.0	2.10	1.5	16	0.35	0.4	1.81
P1231.020-018	2.0	2.3	2.4	2.0	2.10	1.5	18	0.35	0.4	1.81
P1231.020-020	2.0	2.3	2.4	2.0	2.10	1.5	20	0.35	0.4	1.81
P1231.020-022	2.0	2.3	2.4	2.0	2.10	1.5	22	0.35	0.4	1.81
P1231.020-024	2.0	2.3	2.4	2.0	2.10	1.5	24	0.35	0.4	1.81
P1231.020-026	2.0	2.3	2.4	2.0	2.10	1.5	26	0.35	0.4	1.81
P1231.020-028	2.0	2.3	2.4	2.0	2.10	1.5	28	0.35	0.4	1.81
P1231.020-030	2.0	2.3	2.4	2.0	2.10	1.5	30	0.35	0.4	1.81
P1231.020-035	2.0	2.3	2.4	2.0	2.10	1.5	35	0.35	0.4	1.81
P1231.020-040	2.0	2.3	2.4	2.0	2.10	1.5	40	0.35	0.4	1.81
P1231.025-004	2.5	2.8	2.9	2.5	2.60	1.8	4	0.4	0.5	2.84
P1231.025-005	2.5	2.8	2.9	2.5	2.60	1.8	5	0.4	0.5	2.84
P1231.025-006	2.5	2.8	2.9	2.5	2.60	1.8	6	0.4	0.5	2.84
P1231.025-008	2.5	2.8	2.9	2.5	2.60	1.8	8	0.4	0.5	2.84
P1231.025-010	2.5	2.8	2.9	2.5	2.60	1.8	10	0.4	0.5	2.84
P1231.025-012	2.5	2.8	2.9	2.5	2.60	1.8	12	0.4	0.5	2.84
P1231.025-014	2.5	2.8	2.9	2.5	2.60	1.8	14	0.4	0.5	2.84
P1231.025-016	2.5	2.8	2.9	2.5	2.60	1.8	16	0.4	0.5	2.84
P1231.025-018	2.5	2.8	2.9	2.5	2.60	1.8	18	0.4	0.5	2.84
P1231.025-020	2.5	2.8	2.9	2.5	2.60	1.8	20	0.4	0.5	2.84
P1231.025-022	2.5	2.8	2.9	2.5	2.60	1.8	22	0.4	0.5	2.84
P1231.025-024	2.5	2.8	2.9	2.5	2.60	1.8	24	0.4	0.5	2.84
P1231.025-026	2.5	2.8	2.9	2.5	2.60	1.8	26	0.4	0.5	2.84
P1231.025-028	2.5	2.8	2.9	2.5	2.60	1.8	28	0.4	0.5	2.84
P1231.025-030	2.5	2.8	2.9	2.5	2.60	1.8	30	0.4	0.5	2.84
P1231.025-035	2.5	2.8	2.9	2.5	2.60	1.8	35	0.4	0.5	2.84
P1231.025-040	2.5	2.8	2.9	2.5	2.60	1.8	40	0.4	0.5	2.84
P1231.030-004	3.0	3.3	3.5	3.0	3.10	2.1	4	0.5	0.6	4.07
P1231.030-005	3.0	3.3	3.5	3.0	3.10	2.1	5	0.5	0.6	4.07
P1231.030-006	3.0	3.3	3.5	3.0	3.10	2.1	6	0.5	0.6	4.07
P1231.030-008	3.0	3.3	3.5	3.0	3.10	2.1	8	0.5	0.6	4.07
P1231.030-010	3.0	3.3	3.5	3.0	3.10	2.1	10	0.5	0.6	4.07
P1231.030-012	3.0	3.3	3.5	3.0	3.10	2.1	12	0.5	0.6	4.07
P1231.030-014	3.0	3.3	3.5	3.0	3.10	2.1	14	0.5	0.6	4.07
P1231.030-016	3.0	3.3	3.5	3.0	3.10	2.1	16	0.5	0.6	4.07
P1231.030-018	3.0	3.3	3.5	3.0	3.10	2.1	18	0.5	0.6	4.07
P1231.030-020	3.0	3.3	3.5	3.0	3.10	2.1	20	0.5	0.6	4.07
P1231.030-022	3.0	3.3	3.5	3.0	3.10	2.1	22	0.5	0.6	4.07
P1231.030-024	3.0	3.3	3.5	3.0	3.10	2.1	24	0.5	0.6	4.07
P1231.030-026	3.0	3.3	3.5	3.0	3.10	2.1	26	0.5	0.6	4.07
P1231.030-028	3.0	3.3	3.5	3.0	3.10	2.1	28	0.5	0.6	4.07
P1231.030-030	3.0	3.3	3.5	3.0	3.10	2.1	30	0.5	0.6	4.07
P1231.030-035	3.0	3.3	3.5	3.0	3.10	2.1	35	0.5	0.6	4.07
P1231.030-040	3.0	3.3	3.5	3.0	3.10	2.1	40	0.5	0.6	4.07
P1231.030-045	3.0	3.3	3.5	3.0	3.10	2.1	45	0.5	0.6	4.07
P1231.030-050	3.0	3.3	3.5	3.0	3.10	2.1	50	0.5	0.6	4.07
P1231.035-004	3.5	3.8	4.0	3.5	3.62	2.3	4	0.6	0.7	5.80
P1231.035-005	3.5	3.8	4.0	3.5	3.62	2.3	5	0.6	0.7	5.80
P1231.035-006	3.5	3.8	4.0	3.5	3.62	2.3	6	0.6	0.7	5.80
P1231.035-008	3.5	3.8	4.0	3.5	3.62	2.3	8	0.6	0.7	5.80
P1231.035-010	3.5	3.8	4.0	3.5	3.62	2.3	10	0.6	0.7	5.80
P1231.035-012	3.5	3.8	4.0	3.5	3.62	2.3	12	0.6	0.7	5.80
P1231.035-014	3.5	3.8	4.0	3.5	3.62	2.3	14	0.6	0.7	5.80
P1231.035-016	3.5	3.8	4.0	3.5	3.62	2.3	16	0.6	0.7	5.80
P1231.035-018	3.5	3.8	4.0	3.5	3.62	2.3	18	0.6	0.7	5.80
P1231.035-020	3.5	3.8	4.0	3.5	3.62	2.3	20	0.6	0.7	5.80
P1231.035-022	3.5	3.8	4.0	3.5	3.62	2.3	22	0.6	0.7	5.80
P1231.035-024	3.5	3.8	4.0	3.5	3.62	2.3	24	0.6	0.7	5.80
P1231.035-026	3.5	3.8	4.0	3.5	3.62	2.3	26	0.6	0.7	5.80
P1231.035-028	3.5	3.8	4.0	3.5	3.62	2.3	28	0.6	0.7	5.80
P1231.035-030	3.5	3.8	4.0	3.5	3.62	2.3	30	0.6	0.7	5.80
P1231.035-035	3.5	3.8	4.0	3.5	3.62	2.3	35	0.6	0.7	5.80
P1231.035-040	3.5	3.8	4.0	3.5	3.62	2.3	40	0.6	0.7	5.80
P1231.035-045	3.5	3.8	4.0	3.5	3.62	2.3	45	0.6	0.7	5.80
P1231.035-050	3.5	3.8	4.0	3.5	3.62	2.3	50	0.6	0.7	5.80
P1231.040-004	4.0	4.4	4.6	4.0	4.12	2.8	4	0.65	0.8	7.25
P1231.040-005	4.0	4.4	4.6	4.0	4.12	2.8	5	0.65	0.8	7.25
P1231.040-006	4.0	4.4	4.6	4.0	4.12	2.8	6	0.65	0.8	7.25

SPRING PINS



SPRING PINS

Order No.	d ₁ nom.	d ₁ min.	d ₁ max.	Hole min.	Hole max.	d ₂	l ₁	l ₂	w ₁	Double shear kN
P1231.040-008	4.0	4.4	4.6	4.0	4.12	2.8	8	0.65	0.8	7.25
P1231.040-010	4.0	4.4	4.6	4.0	4.12	2.8	10	0.65	0.8	7.25
P1231.040-012	4.0	4.4	4.6	4.0	4.12	2.8	12	0.65	0.8	7.25
P1231.040-014	4.0	4.4	4.6	4.0	4.12	2.8	14	0.65	0.8	7.25
P1231.040-016	4.0	4.4	4.6	4.0	4.12	2.8	16	0.65	0.8	0.65
P1231.040-018	4.0	4.4	4.6	4.0	4.12	2.8	18	0.65	0.8	7.25
P1231.040-020	4.0	4.4	4.6	4.0	4.12	2.8	20	0.65	0.8	7.25
P1231.040-022	4.0	4.4	4.6	4.0	4.12	2.8	22	0.65	0.8	7.25
P1231.040-024	4.0	4.4	4.6	4.0	4.12	2.8	24	0.65	0.8	7.25
P1231.040-026	4.0	4.4	4.6	4.0	4.12	2.8	26	0.65	0.8	7.25
P1231.040-028	4.0	4.4	4.6	4.0	4.12	2.8	28	0.65	0.8	7.25
P1231.040-030	4.0	4.4	4.6	4.0	4.12	2.8	30	0.65	0.8	7.25
P1231.040-035	4.0	4.4	4.6	4.0	4.12	2.8	36	0.65	0.8	7.25
P1231.040-040	4.0	4.4	4.6	4.0	4.12	2.8	40	0.65	0.8	7.25
P1231.040-045	4.0	4.4	4.6	4.0	4.12	2.8	45	0.65	0.8	7.25
P1231.040-050	4.0	4.4	4.6	4.0	4.12	2.8	50	0.65	0.8	7.25
P1231.040-055	4.0	4.4	4.6	4.0	4.12	2.8	55	0.65	0.8	7.25
P1231.040-060	4.0	4.4	4.6	4.0	4.12	2.8	60	0.65	0.8	7.25
P1231.050-006	5.0	5.4	5.6	5.0	5.12	3.4	6	0.9	1.0	10.75
P1231.050-008	5.0	5.4	5.6	5.0	5.12	3.4	8	0.9	1.0	10.75
P1231.050-010	5.0	5.4	5.6	5.0	5.12	3.4	10	0.9	1.0	10.75
P1231.050-012	5.0	5.4	5.6	5.0	5.12	3.4	12	0.9	1.0	10.75
P1231.050-014	5.0	5.4	5.6	5.0	5.12	3.4	14	0.9	1.0	10.75
P1231.050-016	5.0	5.4	5.6	5.0	5.12	3.4	16	0.9	1.0	10.75
P1231.050-018	5.0	5.4	5.6	5.0	5.12	3.4	18	0.9	1.0	10.75
P1231.050-020	5.0	5.4	5.6	5.0	5.12	3.4	20	0.9	1.0	10.75
P1231.050-022	5.0	5.4	5.6	5.0	5.12	3.4	22	0.9	1.0	10.75
P1231.050-024	5.0	5.4	5.6	5.0	5.12	3.4	24	0.9	1.0	10.75
P1231.050-026	5.0	5.4	5.6	5.0	5.12	3.4	26	0.9	1.0	10.75
P1231.050-028	5.0	5.4	5.6	5.0	5.12	3.4	28	0.9	1.0	10.75
P1231.050-030	5.0	5.4	5.6	5.0	5.12	3.4	30	0.9	1.0	10.75
P1231.050-035	5.0	5.4	5.6	5.0	5.12	3.4	35	0.9	1.0	10.75
P1231.050-040	5.0	5.4	5.6	5.0	5.12	3.4	40	0.9	1.0	10.75
P1231.050-045	5.0	5.4	5.6	5.0	5.12	3.4	45	0.9	1.0	10.75
P1231.050-050	5.0	5.4	5.6	5.0	5.12	3.4	50	0.9	1.0	10.75
P1231.050-055	5.0	5.4	5.6	5.0	5.12	3.4	55	0.9	1.0	10.75
P1231.050-060	5.0	5.4	5.6	5.0	5.12	3.4	60	0.9	1.0	10.75
P1231.050-065	5.0	5.4	5.6	5.0	5.12	3.4	65	0.9	1.0	10.75
P1231.050-070	5.0	5.4	5.6	5.0	5.12	3.4	70	0.9	1.0	10.75
P1231.050-075	5.0	5.4	5.6	5.0	5.12	3.4	75	0.9	1.0	10.75
P1231.050-080	5.0	5.4	5.6	5.0	5.12	3.4	80	0.9	1.0	10.75
P1231.060-008	6.0	6.4	6.7	6.0	6.12	3.9	8	1.2	1.2	16.17
P1231.060-010	6.0	6.4	6.7	6.0	6.12	3.9	10	1.2	1.2	16.17
P1231.060-012	6.0	6.4	6.7	6.0	6.12	3.9	12	1.2	1.2	16.17
P1231.060-014	6.0	6.4	6.7	6.0	6.12	3.9	14	1.2	1.2	16.17
P1231.060-016	6.0	6.4	6.7	6.0	6.12	3.9	16	1.2	1.2	16.17
P1231.060-018	6.0	6.4	6.7	6.0	6.12	3.9	18	1.2	1.2	16.17
P1231.060-020	6.0	6.4	6.7	6.0	6.12	3.9	20	1.2	1.2	16.17
P1231.060-022	6.0	6.4	6.7	6.0	6.12	3.9	22	1.2	1.2	16.17
P1231.060-024	6.0	6.4	6.7	6.0	6.12	3.9	24	1.2	1.2	16.17
P1231.060-026	6.0	6.4	6.7	6.0	6.12	3.9	26	1.2	1.2	16.17
P1231.060-028	6.0	6.4	6.7	6.0	6.12	3.9	28	1.2	1.2	16.17
P1231.060-030	6.0	6.4	6.7	6.0	6.12	3.9	30	1.2	1.2	16.17
P1231.060-035	6.0	6.4	6.7	6.0	6.12	3.9	35	1.2	1.2	16.17
P1231.060-040	6.0	6.4	6.7	6.0	6.12	3.9	40	1.2	1.2	16.17
P1231.060-045	6.0	6.4	6.7	6.0	6.12	3.9	45	1.2	1.2	16.17
P1231.060-050	6.0	6.4	6.7	6.0	6.12	3.9	50	1.2	1.2	16.17
P1231.060-055	6.0	6.4	6.7	6.0	6.12	3.9	55	1.2	1.2	16.17
P1231.060-060	6.0	6.4	6.7	6.0	6.12	3.9	60	1.2	1.2	16.17
P1231.060-065	6.0	6.4	6.7	6.0	6.12	3.9	65	1.2	1.2	16.17
P1231.060-070	6.0	6.4	6.7	6.0	6.12	3.9	70	1.2	1.2	16.17
P1231.060-075	6.0	6.4	6.7	6.0	6.12	3.9	75	1.2	1.2	16.17
P1231.060-080	6.0	6.4	6.7	6.0	6.12	3.9	80	1.2	1.2	16.17
P1231.060-085	6.0	6.4	6.7	6.0	6.12	3.9	85	1.2	1.2	16.17
P1231.060-090	6.0	6.4	6.7	6.0	6.12	3.9	90	1.2	1.2	16.17
P1231.060-095	6.0	6.4	6.7	6.0	6.12	3.9	95	1.2	1.2	16.17
P1231.060-100	6.0	6.4	6.7	6.0	6.12	3.9	100	1.2	1.2	16.17
P1231.080-010	8.0	8.5	8.8	8.0	8.15	5.5	10	1.5	1.5	26.46



Stainless Slotted Spring Pins



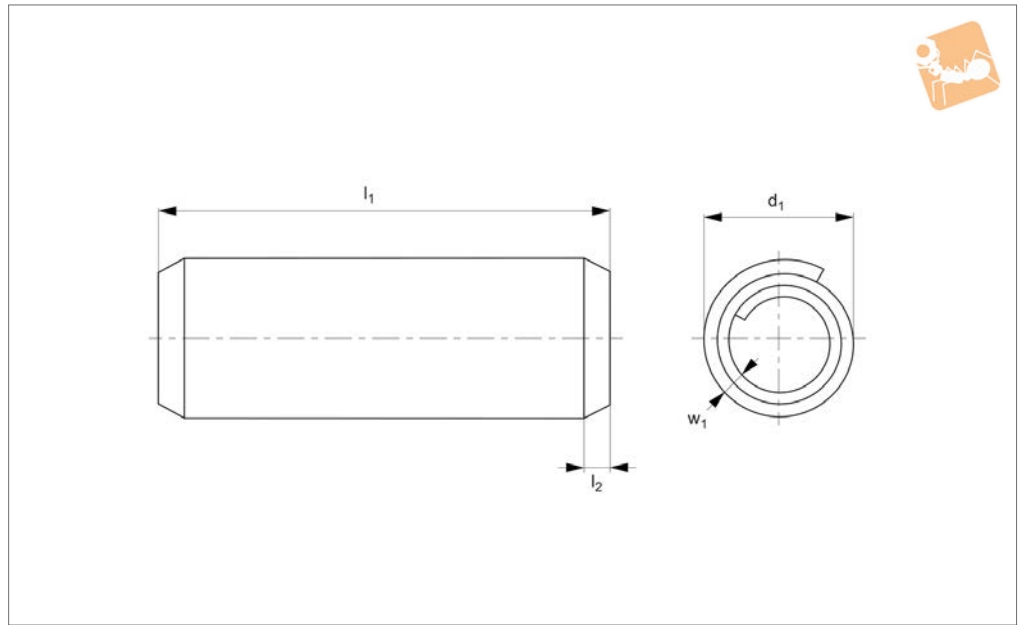
Spring Pins

Order No.	d ₁ nom.	d ₁ min.	d ₁ max.	Hole min.	Hole max.	d ₂	l ₁	l ₂	w ₁	Double shear kN
P1231.080-012	8.0	8.5	8.8	8.0	8.15	5.5	12	1.5	1.5	26.46
P1231.080-014	8.0	8.5	8.8	8.0	8.15	5.5	14	1.5	1.5	26.46
P1231.080-016	8.0	8.5	8.8	8.0	8.15	5.5	16	1.5	1.5	26.46
P1231.080-018	8.0	8.5	8.8	8.0	8.15	5.5	18	1.5	1.5	26.46
P1231.080-020	8.0	8.5	8.8	8.0	8.15	5.5	20	1.5	1.5	26.46
P1231.080-022	8.0	8.5	8.8	8.0	8.15	5.5	22	1.5	1.5	26.46
P1231.080-024	8.0	8.5	8.8	8.0	8.15	5.5	24	1.5	1.5	26.46
P1231.080-026	8.0	8.5	8.8	8.0	8.15	5.5	26	1.5	1.5	26.46
P1231.080-028	8.0	8.5	8.8	8.0	8.15	5.5	28	1.5	1.5	26.46
P1231.080-030	8.0	8.5	8.8	8.0	8.15	5.5	30	1.5	1.5	26.46
P1231.080-035	8.0	8.5	8.8	8.0	8.15	5.5	35	1.5	1.5	26.46
P1231.080-040	8.0	8.5	8.8	8.0	8.15	5.5	40	1.5	1.5	26.46
P1231.080-045	8.0	8.5	8.8	8.0	8.15	5.5	45	1.5	1.5	26.46
P1231.080-050	8.0	8.5	8.8	8.0	8.15	5.5	50	1.5	1.5	26.46
P1231.080-055	8.0	8.5	8.8	8.0	8.15	5.5	55	1.5	1.5	26.46
P1231.080-060	8.0	8.5	8.8	8.0	8.15	5.5	60	1.5	1.5	26.46
P1231.080-065	8.0	8.5	8.8	8.0	8.15	5.5	65	1.5	1.5	26.46
P1231.080-070	8.0	8.5	8.8	8.0	8.15	5.5	70	1.5	1.5	26.46
P1231.080-075	8.0	8.5	8.8	8.0	8.15	5.5	75	1.5	1.5	26.46
P1231.080-080	8.0	8.5	8.8	8.0	8.15	5.5	80	1.5	1.5	26.46
P1231.080-085	8.0	8.5	8.8	8.0	8.15	5.5	85	1.5	1.5	26.46
P1231.080-090	8.0	8.5	8.8	8.0	8.15	5.5	90	1.5	1.5	26.46
P1231.080-095	8.0	8.5	8.8	8.0	8.15	5.5	95	1.5	1.5	26.46
P1231.080-100	8.0	8.5	8.8	8.0	8.15	5.5	100	1.5	1.5	26.46
P1231.080-120	8.0	8.5	8.8	8.0	8.15	5.5	120	1.5	1.5	26.46
P1231.100-010	10.0	10.5	10.8	10.0	10.15	6.5	10	2.0	2.0	42.14
P1231.100-012	10.0	10.5	10.8	10.0	10.15	6.5	12	2.0	2.0	42.14
P1231.100-014	10.0	10.5	10.8	10.0	10.15	6.5	14	2.0	2.0	42.14
P1231.100-016	10.0	10.5	10.8	10.0	10.15	6.5	16	2.0	2.0	42.14
P1231.100-018	10.0	10.5	10.8	10.0	10.15	6.5	18	2.0	2.0	42.14
P1231.100-020	10.0	10.5	10.8	10.0	10.15	6.5	20	2.0	2.0	42.14
P1231.100-022	10.0	10.5	10.8	10.0	10.15	6.5	22	2.0	2.0	42.14
P1231.100-024	10.0	10.5	10.8	10.0	10.15	6.5	24	2.0	2.0	42.14
P1231.100-026	10.0	10.5	10.8	10.0	10.15	6.5	26	2.0	2.0	42.14
P1231.100-028	10.0	10.5	10.8	10.0	10.15	6.5	28	2.0	2.0	42.14
P1231.100-030	10.0	10.5	10.8	10.0	10.15	6.5	30	2.0	2.0	42.14
P1231.100-035	10.0	10.5	10.8	10.0	10.15	6.5	35	2.0	2.0	42.14
P1231.100-040	10.0	10.5	10.8	10.0	10.15	6.5	40	2.0	2.0	42.14
P1231.100-045	10.0	10.5	10.8	10.0	10.15	6.5	45	2.0	2.0	42.14
P1231.100-050	10.0	10.5	10.8	10.0	10.15	6.5	50	2.0	2.0	42.14
P1231.100-055	10.0	10.5	10.8	10.0	10.15	6.5	55	2.0	2.0	42.14
P1231.100-060	10.0	10.5	10.8	10.0	10.15	6.5	60	2.0	2.0	42.14
P1231.100-065	10.0	10.5	10.8	10.0	10.15	6.5	65	2.0	2.0	42.14
P1231.100-070	10.0	10.5	10.8	10.0	10.15	6.5	70	2.0	2.0	42.14
P1231.100-075	10.0	10.5	10.8	10.0	10.15	6.5	75	2.0	2.0	42.14
P1231.100-080	10.0	10.5	10.8	10.0	10.15	6.5	80	2.0	2.0	42.14
P1231.100-085	10.0	10.5	10.8	10.0	10.15	6.5	85	2.0	2.0	42.14
P1231.100-090	10.0	10.5	10.8	10.0	10.15	6.5	90	2.0	2.0	42.14
P1231.100-095	10.0	10.5	10.8	10.0	10.15	6.5	95	2.0	2.0	42.14
P1231.100-100	10.0	10.5	10.8	10.0	10.15	6.5	100	2.0	2.0	42.14
P1231.100-120	10.0	10.5	10.8	10.0	10.15	6.5	120	2.0	2.0	42.14
P1231.100-130	10.0	10.5	10.8	10.0	10.15	6.5	130	2.0	2.0	42.14
P1231.100-140	10.0	10.5	10.8	10.0	10.15	6.5	140	2.0	2.0	42.14
P1231.100-150	10.0	10.5	10.8	10.0	10.15	6.5	150	2.0	2.0	42.14
P1231.100-160	10.0	10.5	10.8	10.0	10.15	6.5	160	2.0	2.0	42.14

SPRING PINS



P1232



Material

Carbon steel (CS70) hardened and tempered to HV420-545. Plain oiled finish.

Technical Notes

To DIN 7343 (ISO 8750). These units have an expanded diameter slightly larger, than the hole for which they are designed,

holding themselves in by radial tension on the hole.

Recommended hole tolerance H12.

l_1 tolerances:-

- 1-10mm long $\pm 0,25$
- 12-50mm long $\pm 0,50$
- over 50mm long $\pm 0,75$.

Tips

Consists of 2.25 coils of steel and has swaged chamfers at each end.

Improves shock absorption, easy assembly. They are designed for plain drilled holes, but countersinking the holes makes insertion easier.

Order No.	d_1 nom.	d_1 min.	d_1 max.	Hole min.	Hole max.	l_1	l_2	w_1	Double shear kN
P1232.015-005	1.5	1.62	1.73	1.50	1.60	5	0.5	0.13	1.45
P1232.015-006	1.5	1.62	1.73	1.50	1.60	6	0.5	0.13	1.45
P1232.015-008	1.5	1.62	1.73	1.50	1.60	8	0.5	0.13	1.45
P1232.015-010	1.5	1.62	1.73	1.50	1.60	10	0.5	0.13	1.45
P1232.015-012	1.5	1.62	1.73	1.50	1.60	12	0.5	0.13	1.45
P1232.015-014	1.5	1.62	1.73	1.50	1.60	14	0.5	0.13	1.45
P1232.015-016	1.5	1.62	1.73	1.50	1.60	16	0.5	0.13	1.45
P1232.020-006	2.0	2.13	2.25	1.99	2.10	6	0.7	0.17	2.5
P1232.020-008	2.0	2.13	2.25	1.99	2.10	8	0.7	0.17	2.5
P1232.020-010	2.0	2.13	2.25	1.99	2.10	10	0.7	0.17	2.5
P1232.020-012	2.0	2.13	2.25	1.99	2.10	12	0.7	0.17	2.5
P1232.020-014	2.0	2.13	2.25	1.99	2.10	14	0.7	0.17	2.5
P1232.020-016	2.0	2.13	2.25	1.99	2.10	16	0.7	0.17	2.5
P1232.020-018	2.0	2.13	2.25	1.99	2.10	18	0.7	0.17	2.5
P1232.020-020	2.0	2.13	2.25	1.99	2.10	20	0.7	0.17	2.5
P1232.025-008	2.5	2.65	2.78	2.49	2.60	8	0.8	0.21	3.9
P1232.025-010	2.5	2.65	2.78	2.49	2.60	10	0.8	0.21	3.9
P1232.025-012	2.5	2.65	2.78	2.49	2.60	12	0.8	0.21	3.9
P1232.025-014	2.5	2.65	2.78	2.49	2.60	14	0.8	0.21	3.9
P1232.025-016	2.5	2.65	2.78	2.49	2.60	16	0.8	0.21	3.9
P1232.025-018	2.5	2.65	2.78	2.49	2.60	18	0.8	0.21	3.9
P1232.025-020	2.5	2.65	2.78	2.49	2.60	20	0.8	0.21	3.9
P1232.025-022	2.5	2.65	2.78	2.49	2.60	22	0.8	0.21	3.9
P1232.025-024	2.5	2.65	2.78	2.49	2.60	24	0.8	0.21	3.9
P1232.030-008	3.0	3.15	3.30	2.99	3.10	8	0.9	0.25	5.5
P1232.030-010	3.0	3.15	3.30	2.99	3.10	10	0.9	0.25	5.5
P1232.030-012	3.0	3.15	3.30	2.99	3.10	12	0.9	0.25	5.5
P1232.030-014	3.0	3.15	3.30	2.99	3.10	14	0.9	0.25	5.5
P1232.030-016	3.0	3.15	3.30	2.99	3.10	16	0.9	0.25	5.5
P1232.030-018	3.0	3.15	3.30	2.99	3.10	18	0.9	0.25	5.5

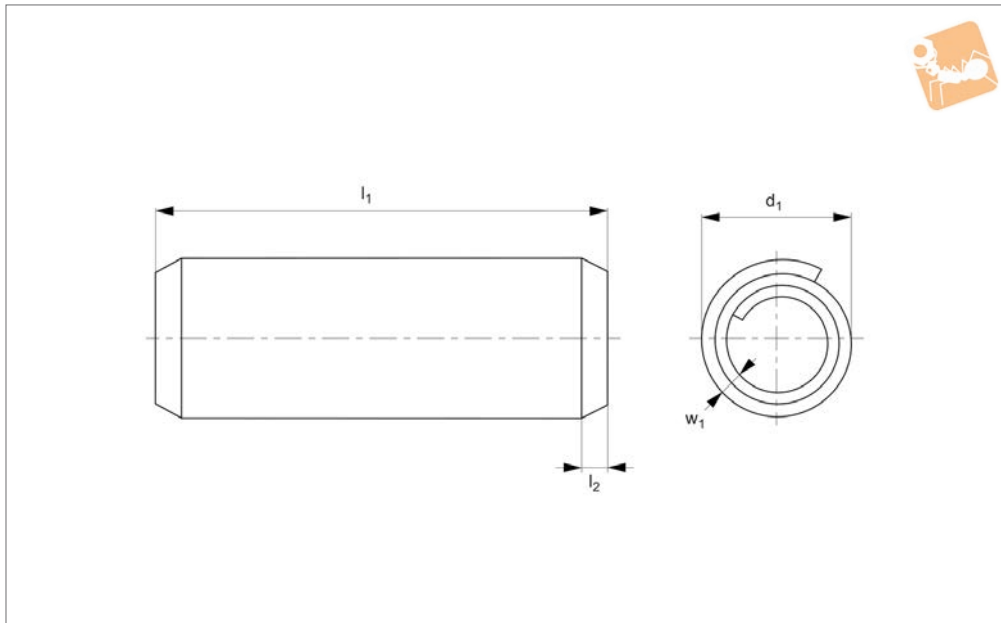


Order No.	d ₁ nom.	d ₁ min.	d ₁ max.	Hole min.	Hole max.	l ₁	l ₂	w ₁	Double shear kN
P1232.030-020	3.0	3.15	3.30	2.99	3.10	20	0.9	0.25	5.5
P1232.030-022	3.0	3.15	3.30	2.99	3.10	22	0.9	0.25	5.5
P1232.030-024	3.0	3.15	3.30	2.99	3.10	24	0.9	0.25	5.5
P1232.030-026	3.0	3.15	3.30	2.99	3.10	26	0.9	0.25	5.5
P1232.030-028	3.0	3.15	3.30	2.99	3.10	28	0.9	0.25	5.5
P1232.030-030	3.0	3.15	3.30	2.99	3.10	30	0.9	0.25	5.5
P1232.035-012	3.5	3.67	3.84	3.48	3.50	12	1.2	0.29	7.5
P1232.035-014	3.5	3.67	3.84	3.48	3.50	14	1.2	0.29	7.5
P1232.035-016	3.5	3.67	3.84	3.48	3.50	16	1.2	0.29	7.5
P1232.035-018	3.5	3.67	3.84	3.48	3.50	18	1.2	0.29	7.5
P1232.035-020	3.5	3.67	3.84	3.48	3.50	20	1.2	0.29	7.5
P1232.035-022	3.5	3.67	3.84	3.48	3.50	22	1.2	0.29	7.5
P1232.035-024	3.5	3.67	3.84	3.48	3.50	24	1.2	0.29	7.5
P1232.035-026	3.5	3.67	3.84	3.48	3.50	26	1.2	0.29	7.5
P1232.035-028	3.5	3.67	3.84	3.48	3.50	28	1.2	0.29	7.5
P1232.035-030	3.5	3.67	3.84	3.48	3.50	30	1.2	0.29	7.5
P1232.035-035	3.5	3.67	3.84	3.48	3.50	35	1.2	0.29	7.5
P1232.045-012	4.0	4.20	4.40	3.98	4.00	12	1.1	0.33	9.6
P1232.045-014	4.0	4.20	4.40	3.98	4.00	14	1.1	0.33	9.6
P1232.045-016	4.0	4.20	4.40	3.98	4.00	16	1.1	0.33	9.6
P1232.045-018	4.0	4.20	4.40	3.98	4.00	18	1.1	0.33	9.6
P1232.045-020	4.0	4.20	4.40	3.98	4.00	20	1.1	0.33	9.6
P1232.045-022	4.0	4.20	4.40	3.98	4.00	22	1.1	0.33	9.6
P1232.045-024	4.0	4.20	4.40	3.98	4.00	24	1.1	0.33	9.6
P1232.045-026	4.0	4.20	4.40	3.98	4.00	26	1.1	0.33	9.6
P1232.045-028	4.0	4.20	4.40	3.98	4.00	28	1.1	0.33	9.6
P1232.045-030	4.0	4.20	4.40	3.98	4.00	30	1.1	0.33	9.6
P1232.045-035	4.0	4.20	4.40	3.98	4.00	35	1.1	0.33	9.6
P1232.045-040	4.0	4.20	4.40	3.98	4.00	40	1.1	0.33	9.6
P1232.050-014	5.0	5.25	5.50	4.95	5.00	14	1.3	0.42	15.0
P1232.050-016	5.0	5.25	5.50	4.95	5.00	16	1.3	0.42	15.0
P1232.050-018	5.0	5.25	5.50	4.95	5.00	18	1.3	0.42	15.0
P1232.050-020	5.0	5.25	5.50	4.95	5.00	20	1.3	0.42	15.0
P1232.050-022	5.0	5.25	5.50	4.95	5.00	22	1.3	0.42	15.0
P1232.050-024	5.0	5.25	5.50	4.95	5.00	24	1.3	0.42	15.0
P1232.050-026	5.0	5.25	5.50	4.95	5.00	26	1.3	0.42	15.0
P1232.050-028	5.0	5.25	5.50	4.95	5.00	28	1.3	0.42	15.0
P1232.050-030	5.0	5.25	5.50	4.95	5.00	30	1.3	0.42	15.0
P1232.050-035	5.0	5.25	5.50	4.95	5.00	35	1.3	0.42	15.0
P1232.050-040	5.0	5.25	5.50	4.95	5.00	40	1.3	0.42	15.0
P1232.050-045	5.0	5.25	5.50	4.95	5.00	45	1.3	0.42	15.0
P1232.060-016	6.0	6.25	5.60	5.95	6.00	16	1.5	0.5	22.0
P1232.060-018	6.0	6.25	5.60	5.95	6.00	18	1.5	0.5	22.0
P1232.060-020	6.0	6.25	5.60	5.95	6.00	20	1.5	0.5	22.0
P1232.060-022	6.0	6.25	5.60	5.95	6.00	22	1.5	0.5	22.0
P1232.060-024	6.0	6.25	5.60	5.95	6.00	24	1.5	0.5	22.0
P1232.060-026	6.0	6.25	5.60	5.95	6.00	26	1.5	0.5	22.0
P1232.060-028	6.0	6.25	5.60	5.95	6.00	28	1.5	0.5	22.0
P1232.060-030	6.0	6.25	5.60	5.95	6.00	30	1.5	0.5	22.0
P1232.060-035	6.0	6.25	5.60	5.95	6.00	35	1.5	0.5	22.0
P1232.060-040	6.0	6.25	5.60	5.95	6.00	40	1.5	0.5	22.0
P1232.060-045	6.0	6.25	5.60	5.95	6.00	45	1.5	0.5	22.0
P1232.060-050	6.0	6.25	5.60	5.95	6.00	50	1.5	0.5	22.0
P1232.080-020	8.0	8.30	8.60	7.93	8.00	20	2.0	0.67	39.0
P1232.080-022	8.0	8.30	8.60	7.93	8.00	22	2.0	0.67	39.0
P1232.080-024	8.0	8.30	8.60	7.93	8.00	24	2.0	0.67	39.0
P1232.080-026	8.0	8.30	8.60	7.93	8.00	26	2.0	0.67	39.0
P1232.080-028	8.0	8.30	8.60	7.93	8.00	28	2.0	0.67	39.0
P1232.080-030	8.0	8.30	8.60	7.93	8.00	30	2.0	0.67	39.0
P1232.080-035	8.0	8.30	8.60	7.93	8.00	35	2.0	0.67	39.0
P1232.080-040	8.0	8.30	8.60	7.93	8.00	40	2.0	0.67	39.0
P1232.080-045	8.0	8.30	8.60	7.93	8.00	45	2.0	0.67	39.0
P1232.080-050	8.0	8.30	8.60	7.93	8.00	50	2.0	0.67	39.0
P1232.080-055	8.0	8.30	8.60	7.93	8.00	55	2.0	0.67	39.0
P1232.080-060	8.0	8.30	8.60	7.93	8.00	60	2.0	0.67	39.0
P1232.080-065	8.0	8.30	8.60	7.93	8.00	65	2.0	0.67	39.0
P1232.080-070	8.0	8.30	8.60	7.93	8.00	70	2.0	0.67	39.0
P1232.080-075	8.0	8.30	8.60	7.93	8.00	75	2.0	0.67	39.0

SPRING PINS



Order No.	d ₁ nom.	d ₁ min.	d ₁ max.	Hole min.	Hole max.	l ₁	l ₂	w ₁	Double shear kN
P1232.100-024	10.0	10.35	10.80	9.93	10.00	24	2.5	0.84	62.0
P1232.100-026	10.0	10.35	10.80	9.93	10.00	26	2.5	0.84	62.0
P1232.100-028	10.0	10.35	10.80	9.93	10.00	28	2.5	0.84	62.0
P1232.100-030	10.0	10.35	10.80	9.93	10.00	30	2.5	0.84	62.0
P1232.100-035	10.0	10.35	10.80	9.93	10.00	35	2.5	0.84	62.0
P1232.100-040	10.0	10.35	10.80	9.93	10.00	40	2.5	0.84	62.0
P1232.100-045	10.0	10.35	10.80	9.93	10.00	45	2.5	0.84	62.0
P1232.100-050	10.0	10.35	10.80	9.93	10.00	50	2.5	0.84	62.0
P1232.100-055	10.0	10.35	10.80	9.93	10.00	55	2.5	0.84	62.0
P1232.100-060	10.0	10.35	10.80	9.93	10.00	60	2.5	0.84	62.0
P1232.100-065	10.0	10.35	10.80	9.93	10.00	65	2.5	0.84	62.0
P1232.100-070	10.0	10.35	10.80	9.93	10.00	70	2.5	0.84	62.0
P1232.100-075	10.0	10.35	10.80	9.93	10.00	75	2.5	0.84	62.0
P1232.100-080	10.0	10.35	10.80	9.93	10.00	80	2.5	0.84	62.0
P1232.100-085	10.0	10.35	10.80	9.93	10.00	85	2.5	0.84	62.0
P1232.120-028	12.0	12.40	12.85	11.90	12.00	28	3.0	1.0	89.0
P1232.120-030	12.0	12.40	12.85	11.90	12.00	30	3.0	1.0	89.0
P1232.120-035	12.0	12.40	12.85	11.90	12.00	35	3.0	1.0	89.0
P1232.120-040	12.0	12.40	12.85	11.90	12.00	40	3.0	1.0	89.0
P1232.120-045	12.0	12.40	12.85	11.90	12.00	45	3.0	1.0	89.0
P1232.120-050	12.0	12.40	12.85	11.90	12.00	50	3.0	1.0	89.0
P1232.120-055	12.0	12.40	12.85	11.90	12.00	55	3.0	1.0	89.0
P1232.120-060	12.0	12.40	12.85	11.90	12.00	60	3.0	1.0	89.0
P1232.120-065	12.0	12.40	12.85	11.90	12.00	65	3.0	1.0	89.0
P1232.120-070	12.0	12.40	12.85	11.90	12.00	70	3.0	1.0	89.0
P1232.120-075	12.0	12.40	12.85	11.90	12.00	75	3.0	1.0	89.0
P1232.120-080	12.0	12.40	12.85	11.90	12.00	80	3.0	1.0	89.0
P1232.120-085	12.0	12.40	12.85	11.90	12.00	85	3.0	1.0	89.0
P1232.120-090	12.0	12.40	12.85	11.90	12.00	90	3.0	1.0	89.0
P1232.120-095	12.0	12.40	12.85	11.90	12.00	95	3.0	1.0	89.0
P1232.120-100	12.0	12.40	12.85	11.90	12.00	100	3.0	1.0	89.0



P1234

SPRING PINS

Material

Stainless steel (A2).

Technical Notes

To DIN 7343 (ISO 8750). These units have an expanded diameter slightly larger, than the hole for which they are designed, holding themselves in by radial tension on

the hole.

l_1 tolerances:-
 1-10mm long $\pm 0,25$
 12-50mm long $\pm 0,50$
 over 50mm long $\pm 0,75$.

Tips

Consists of 2.25 coils of steel and have

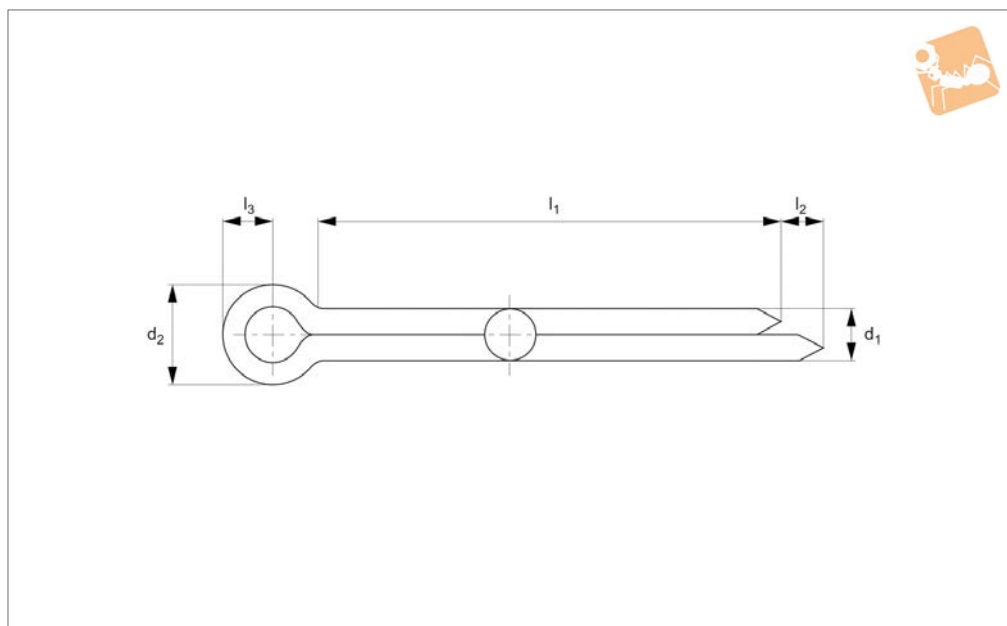
swaged chamfers at each end.

Improves shock absorption, easy assembly. They are designed for plain drilled holes, but countersinking the holes makes insertion easier.

Order No.	d_1 nom.	d_1 min.	d_1 max.	Hole min.	Hole max.	l_1	l_2	w_1	Double shear kN
P1234.015-005	1.5	1.62	1.73	1.50	1.60	5	0.5	0.13	1.05
P1234.015-006	1.5	1.62	1.73	1.50	1.60	6	0.5	0.13	1.05
P1234.015-008	1.5	1.62	1.73	1.50	1.60	8	0.5	0.13	1.05
P1234.015-010	1.5	1.62	1.73	1.50	1.60	10	0.5	0.13	1.05
P1234.015-012	1.5	1.62	1.73	1.50	1.60	12	0.5	0.13	1.05
P1234.015-014	1.5	1.62	1.73	1.50	1.60	14	0.5	0.13	1.05
P1234.015-016	1.5	1.62	1.73	1.50	1.60	16	0.5	0.13	1.05
P1234.020-006	2.0	2.13	2.25	1.99	2.10	6	0.7	0.17	1.9
P1234.020-008	2.0	2.13	2.25	1.99	2.10	8	0.7	0.17	1.9
P1234.020-010	2.0	2.13	2.25	1.99	2.10	10	0.7	0.17	1.9
P1234.020-012	2.0	2.13	2.25	1.99	2.10	12	0.7	0.17	1.9
P1234.020-014	2.0	2.13	2.25	1.99	2.10	14	0.7	0.17	1.9
P1234.020-016	2.0	2.13	2.25	1.99	2.10	16	0.7	0.17	1.9
P1234.020-018	2.0	2.13	2.25	1.99	2.10	18	0.7	0.17	1.9
P1234.020-020	2.0	2.13	2.25	1.99	2.10	20	0.7	0.17	1.9
P1234.025-008	2.5	2.65	2.78	2.49	2.60	8	0.8	0.21	2.9
P1234.025-010	2.5	2.65	2.78	2.49	2.60	10	0.8	0.21	2.9
P1234.025-012	2.5	2.65	2.78	2.49	2.60	12	0.8	0.21	2.9
P1234.025-014	2.5	2.65	2.78	2.49	2.60	14	0.8	0.21	2.9
P1234.025-016	2.5	2.65	2.78	2.49	2.60	16	0.8	0.21	2.9
P1234.025-018	2.5	2.65	2.78	2.49	2.60	18	0.8	0.21	2.9
P1234.025-020	2.5	2.65	2.78	2.49	2.60	20	0.8	0.21	2.9
P1234.025-022	2.5	2.65	2.78	2.49	2.60	22	0.8	0.21	2.9
P1234.025-024	2.5	2.65	2.78	2.49	2.60	24	0.8	0.21	2.9
P1234.030-008	3.0	3.15	3.30	2.99	3.10	8	0.9	0.25	4.2
P1234.030-010	3.0	3.15	3.30	2.99	3.10	10	0.9	0.25	4.2
P1234.030-012	3.0	3.15	3.30	2.99	3.10	12	0.9	0.25	4.2
P1234.030-014	3.0	3.15	3.30	2.99	3.10	14	0.9	0.25	4.2
P1234.030-016	3.0	3.15	3.30	2.99	3.10	16	0.9	0.25	4.2
P1234.030-018	3.0	3.15	3.30	2.99	3.10	18	0.9	0.25	4.2



Order No.	d ₁ nom.	d ₁ min.	d ₁ max.	Hole min.	Hole max.	l ₁	l ₂	w ₁	Double shear kN
P1234.030-020	3.0	3.15	3.30	2.99	3.10	20	0.9	0.25	4.2
P1234.030-022	3.0	3.15	3.30	2.99	3.10	22	0.9	0.25	4.2
P1234.030-024	3.0	3.15	3.30	2.99	3.10	24	0.9	0.25	4.2
P1234.030-026	3.0	3.15	3.30	2.99	3.10	26	0.9	0.25	4.2
P1234.030-028	3.0	3.15	3.30	2.99	3.10	28	0.9	0.25	4.2
P1234.030-030	3.0	3.15	3.30	2.99	3.10	30	0.9	0.25	4.2
P1234.040-012	4.0	4.20	4.40	3.98	4.12	12	1.1	0.33	7.6
P1234.040-014	4.0	4.20	4.40	3.98	4.12	14	1.1	0.33	7.6
P1234.040-016	4.0	4.20	4.40	3.98	4.12	16	1.1	0.33	7.6
P1234.040-018	4.0	4.20	4.40	3.98	4.12	18	1.1	0.33	7.6
P1234.040-020	4.0	4.20	4.40	3.98	4.12	20	1.1	0.33	7.6
P1234.040-022	4.0	4.20	4.40	3.98	4.12	22	1.1	0.33	7.6
P1234.040-024	4.0	4.20	4.40	3.98	4.12	24	1.1	0.33	7.6
P1234.040-026	4.0	4.20	4.40	3.98	4.12	26	1.1	0.33	7.6
P1234.040-028	4.0	4.20	4.40	3.98	4.12	28	1.1	0.33	7.6
P1234.040-030	4.0	4.20	4.40	3.98	4.12	30	1.1	0.33	7.6
P1234.040-035	4.0	4.20	4.40	3.98	4.12	35	1.1	0.33	7.6
P1234.040-040	4.0	4.20	4.40	3.98	4.12	40	1.1	0.33	7.6
P1234.050-014	5.0	5.25	5.50	4.95	5.12	14	1.3	0.42	11.5
P1234.050-016	5.0	5.25	5.50	4.95	5.12	16	1.3	0.42	11.5
P1234.050-018	5.0	5.25	5.50	4.95	5.12	18	1.3	0.42	11.5
P1234.050-020	5.0	5.25	5.50	4.95	5.12	20	1.3	0.42	11.5
P1234.050-022	5.0	5.25	5.50	4.95	5.12	22	1.3	0.42	11.5
P1234.050-024	5.0	5.25	5.50	4.95	5.12	24	1.3	0.42	11.5
P1234.050-026	5.0	5.25	5.50	4.95	5.12	26	1.3	0.42	11.5
P1234.050-028	5.0	5.25	5.50	4.95	5.12	28	1.3	0.42	11.5
P1234.050-030	5.0	5.25	5.50	4.95	5.12	30	1.3	0.42	11.5
P1234.050-035	5.0	5.25	5.50	4.95	5.12	35	1.3	0.42	11.5
P1234.050-040	5.0	5.25	5.50	4.95	5.12	40	1.3	0.42	11.5
P1234.050-045	5.0	5.25	5.50	4.95	5.12	45	1.3	0.42	11.5
P1234.060-016	6.0	6.25	6.60	5.95	6.13	16	1.5	0.5	16.8
P1234.060-018	6.0	6.25	6.60	5.95	6.13	18	1.5	0.5	16.8
P1234.060-020	6.0	6.25	6.60	5.95	6.13	20	1.5	0.5	16.8
P1234.060-022	6.0	6.25	6.60	5.95	6.13	22	1.5	0.5	16.8
P1234.060-024	6.0	6.25	6.60	5.95	6.13	24	1.5	0.5	16.8
P1234.060-026	6.0	6.25	6.60	5.95	6.13	26	1.5	0.5	16.8
P1234.060-028	6.0	6.25	6.60	5.95	6.13	28	1.5	0.5	16.8
P1234.060-030	6.0	6.25	6.60	5.95	6.13	30	1.5	0.5	16.8
P1234.060-035	6.0	6.25	6.60	5.95	6.13	35	1.5	0.5	16.8
P1234.060-040	6.0	6.25	6.60	5.95	6.13	40	1.5	0.5	16.8
P1234.060-045	6.0	6.25	6.60	5.95	6.13	45	1.5	0.5	16.8
P1234.060-050	6.0	6.25	6.60	5.95	6.13	50	1.5	0.5	16.8
P1234.080-020	8.0	8.30	8.60	7.93	8.17	20	2	0.67	30.0
P1234.080-022	8.0	8.30	8.60	7.93	8.17	22	2	0.67	30.0
P1234.080-024	8.0	8.30	8.60	7.93	8.17	24	2	0.67	30.0
P1234.080-026	8.0	8.30	8.60	7.93	8.17	26	2	0.67	30.0
P1234.080-028	8.0	8.30	8.60	7.93	8.17	28	2	0.67	30.0
P1234.080-030	8.0	8.30	8.60	7.93	8.17	30	2	0.67	30.0
P1234.080-035	8.0	8.30	8.60	7.93	8.17	35	2	0.67	30.0
P1234.080-040	8.0	8.30	8.60	7.93	8.17	40	2	0.67	30.0
P1234.080-045	8.0	8.30	8.60	7.93	8.17	45	2	0.67	30.0
P1234.080-050	8.0	8.30	8.60	7.93	8.17	50	2	0.67	30.0
P1234.080-055	8.0	8.30	8.60	7.93	8.17	55	2	0.67	30.0
P1234.080-060	8.0	8.30	8.60	7.93	8.17	60	2	0.67	30.0
P1234.080-065	8.0	8.30	8.60	7.93	8.17	65	2	0.67	30.0
P1234.080-070	8.0	8.30	8.60	7.93	8.17	70	2	0.67	30.0
P1234.080-075	8.0	8.30	8.60	7.93	8.17	75	2	0.67	30.0



P1240

OTHER PINS

Material

Mild steel (zinc-plated).

pins require a loose fit, and as a result the metric versions can also be for inch sizes.

H14 (under this diameter recommended tolerance is H13).

Technical Notes

To DIN 94 (equivalent to ISO 1234). Cotter

Recommended hole tolerance for d_1 1,6 is

Order No.	d_1 nom.	d_1 min.	d_1 max.	d_2 max.	l_1	l_2 max.	l_3 ≈
P1240.010-006	1	0.8	0.9	1.8	6	1.6	3
P1240.010-008	1	0.8	0.9	1.8	8	1.6	3
P1240.010-010	1	0.8	0.9	1.8	10	1.6	3
P1240.010-012	1	0.8	0.9	1.8	12	1.6	3
P1240.010-016	1	0.8	0.9	1.8	16	1.6	3
P1240.010-018	1	0.8	0.9	1.8	18	1.6	3
P1240.010-020	1	0.8	0.9	1.8	20	1.6	3
P1240.010-022	1	0.8	0.9	1.8	22	1.6	3
P1240.010-025	1	0.8	0.9	1.8	25	1.6	3
P1240.010-028	1	0.8	0.9	1.8	28	1.6	3
P1240.010-032	1	0.8	0.9	1.8	32	1.6	3
P1240.010-036	1	0.8	0.9	1.8	36	1.6	3
P1240.012-010	1.2	1.0	1.09	2.0	10	2.5	3
P1240.012-012	1.2	1.0	1.09	2.0	12	2.5	3
P1240.012-016	1.2	1.0	1.09	2.0	16	2.5	3
P1240.012-018	1.2	1.0	1.09	2.0	18	2.5	3
P1240.012-020	1.2	1.0	1.09	2.0	20	2.5	3
P1240.012-022	1.2	1.0	1.09	2.0	22	2.5	3
P1240.012-025	1.2	1.0	1.09	2.0	25	2.5	3
P1240.012-028	1.2	1.0	1.09	2.0	28	2.5	3
P1240.012-032	1.2	1.0	1.09	2.0	32	2.5	3
P1240.012-036	1.2	1.0	1.09	2.0	36	2.5	3
P1240.016-010	1.6	1.3	1.4	2.8	10	2.5	3.2
P1240.016-012	1.6	1.3	1.4	2.8	12	2.5	3.2
P1240.016-016	1.6	1.3	1.4	2.8	16	2.5	3.2
P1240.016-018	1.6	1.3	1.4	2.8	18	2.5	3.2
P1240.016-020	1.6	1.3	1.4	2.8	20	2.5	3.2
P1240.016-022	1.6	1.3	1.4	2.8	22	2.5	3.2
P1240.016-025	1.6	1.3	1.4	2.8	25	2.5	3.2
P1240.016-028	1.6	1.3	1.4	2.8	28	2.5	3.2
P1240.016-032	1.6	1.3	1.4	2.8	32	2.5	3.2
P1240.016-036	1.6	1.3	1.4	2.8	36	2.5	3.2
P1240.016-040	1.6	1.3	1.4	2.8	40	2.5	3.2
P1240.020-010	2	1.7	1.8	3.6	10	2.5	4.0

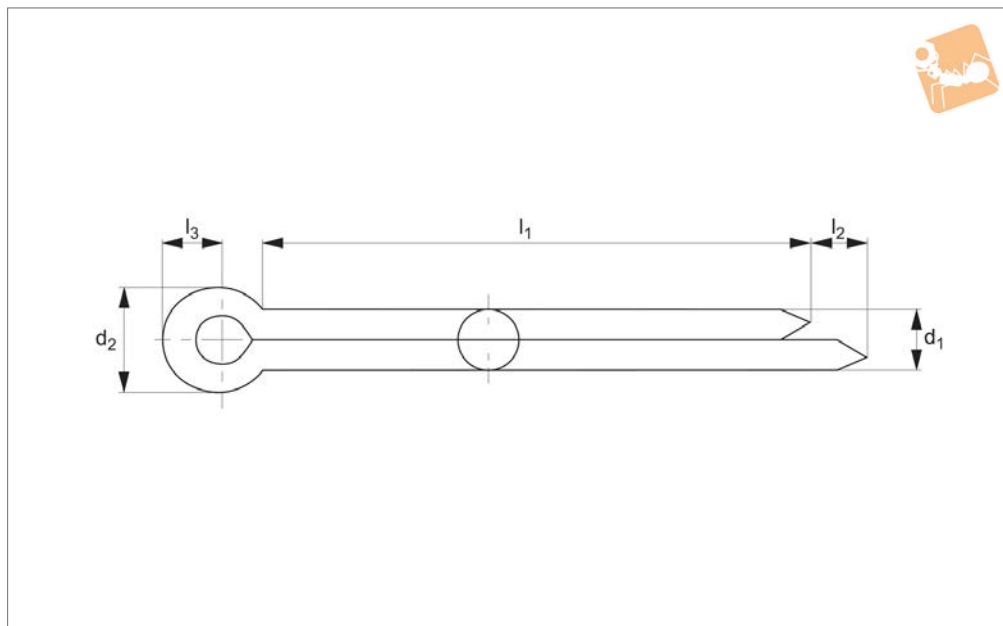


Order No.	d ₁ nom.	d ₁ min.	d ₁ max.	d ₂ max.	l ₁	l ₂ max.	l ₃ ≈
P1240.020-012	2	1.7	1.8	3.6	12	2.5	4.0
P1240.020-016	2	1.7	1.8	3.6	16	2.5	4.0
P1240.020-018	2	1.7	1.8	3.6	18	2.5	4.0
P1240.020-020	2	1.7	1.8	3.6	20	2.5	4.0
P1240.020-022	2	1.7	1.8	3.6	22	2.5	4.0
P1240.020-025	2	1.7	1.8	3.6	25	2.5	4.0
P1240.020-028	2	1.7	1.8	3.6	28	2.5	4.0
P1240.020-032	2	1.7	1.8	3.6	32	2.5	4.0
P1240.020-036	2	1.7	1.8	3.6	36	2.5	4.0
P1240.020-040	2	1.7	1.8	3.6	40	2.5	4.0
P1240.020-045	2	1.7	1.8	3.6	45	2.5	4.0
P1240.020-050	2	1.7	1.8	3.6	50	2.5	4.0
P1240.025-010	2.5	2.1	2.3	4.6	10	2.5	5.0
P1240.025-012	2.5	2.1	2.3	4.6	12	2.5	5.0
P1240.025-016	2.5	2.1	2.3	4.6	16	2.5	5.0
P1240.025-018	2.5	2.1	2.3	4.6	18	2.5	5.0
P1240.025-020	2.5	2.1	2.3	4.6	20	2.5	5.0
P1240.025-022	2.5	2.1	2.3	4.6	22	2.5	5.0
P1240.025-025	2.5	2.1	2.3	4.6	25	2.5	5.0
P1240.025-028	2.5	2.1	2.3	4.6	28	2.5	5.0
P1240.025-032	2.5	2.1	2.3	4.6	32	2.5	5.0
P1240.025-036	2.5	2.1	2.3	4.6	36	2.5	5.0
P1240.025-040	2.5	2.1	2.3	4.6	40	2.5	5.0
P1240.025-045	2.5	2.1	2.3	4.6	45	2.5	5.0
P1240.025-050	2.5	2.1	2.3	4.6	50	2.5	5.0
P1240.025-056	2.5	2.1	2.3	4.6	56	2.5	5.0
P1240.025-063	2.5	2.1	2.3	4.6	63	2.5	5.0
P1240.025-071	2.5	2.1	2.3	4.6	71	2.5	5.0
P1240.032-016	3.2	2.7	2.9	5.8	16	3.2	6.4
P1240.032-018	3.2	2.7	2.9	5.8	18	3.2	6.4
P1240.032-020	3.2	2.7	2.9	5.8	20	3.2	6.4
P1240.032-022	3.2	2.7	2.9	5.8	22	3.2	6.4
P1240.032-025	3.2	2.7	2.9	5.8	25	3.2	6.4
P1240.032-028	3.2	2.7	2.9	5.8	28	3.2	6.4
P1240.032-033	3.2	2.7	2.9	5.8	33	3.2	6.4
P1240.032-036	3.2	2.7	2.9	5.8	36	3.2	6.4
P1240.032-040	3.2	2.7	2.9	5.8	40	3.2	6.4
P1240.032-045	3.2	2.7	2.9	5.8	45	3.2	6.4
P1240.032-050	3.2	2.7	2.9	5.8	50	3.2	6.4
P1240.032-056	3.2	2.7	2.9	5.8	56	3.2	6.4
P1240.032-063	3.2	2.7	2.9	5.8	63	3.2	6.4
P1240.032-071	3.2	2.7	2.9	5.8	71	3.2	6.4
P1240.040-016	4	3.5	3.7	7.4	16	4.0	8.0
P1240.040-018	4	3.5	3.7	7.4	18	4.0	8.0
P1240.040-020	4	3.5	3.7	7.4	20	4.0	8.0
P1240.040-022	4	3.5	3.7	7.4	22	4.0	8.0
P1240.040-025	4	3.5	3.7	7.4	25	4.0	8.0
P1240.040-028	4	3.5	3.7	7.4	28	4.0	8.0
P1240.040-032	4	3.5	3.7	7.4	32	4.0	8.0
P1240.040-036	4	3.5	3.7	7.4	36	4.0	8.0
P1240.040-040	4	3.5	3.7	7.4	40	4.0	8.0
P1240.040-045	4	3.5	3.7	7.4	45	4.0	8.0
P1240.040-050	4	3.5	3.7	7.4	50	4.0	8.0
P1240.040-056	4	3.5	3.7	7.4	56	4.0	8.0
P1240.040-063	4	3.5	3.7	7.4	63	4.0	8.0
P1240.040-071	4	3.5	3.7	7.4	71	4.0	8.0
P1240.040-080	4	3.5	3.7	7.4	80	4.0	8.0
P1240.040-090	4	3.5	3.7	7.4	90	4.0	8.0
P1240.040-112	4	3.5	3.7	7.4	112	4.0	8.0
P1240.040-125	4	3.5	3.7	7.4	125	4.0	8.0
P1240.050-016	5	4.4	4.6	9.2	16	4.0	10.0
P1240.050-018	5	4.4	4.6	9.2	18	4.0	10.0
P1240.050-020	5	4.4	4.6	9.2	20	4.0	10.0
P1240.050-022	5	4.4	4.6	9.2	22	4.0	10.0
P1240.050-025	5	4.4	4.6	9.2	25	4.0	10.0
P1240.050-028	5	4.4	4.6	9.2	28	4.0	10.0
P1240.050-032	5	4.4	4.6	9.2	32	4.0	10.0
P1240.050-036	5	4.4	4.6	9.2	36	4.0	10.0

Order No.	d ₁ nom.	d ₁ min.	d ₁ max.	d ₂ max.	l ₁	l ₂ max.	l ₃ ≈
P1240.050-040	5	4.4	4.6	9.2	40	4.0	10.0
P1240.050-045	5	4.4	4.6	9.2	45	4.0	10.0
P1240.050-050	5	4.4	4.6	9.2	50	4.0	10.0
P1240.050-056	5	4.4	4.6	9.2	56	4.0	10.0
P1240.050-063	5	4.4	4.6	9.2	63	4.0	10.0
P1240.050-071	5	4.4	4.6	9.2	71	4.0	10.0
P1240.050-080	5	4.4	4.6	9.2	80	4.0	10.0
P1240.050-090	5	4.4	4.6	9.2	90	4.0	10.0
P1240.050-112	5	4.4	4.6	9.2	112	4.0	10.0
P1240.050-125	5	4.4	4.6	9.2	125	4.0	10.0
P1240.063-020	6	5.7	5.9	11.8	20	4.0	12.6
P1240.063-022	6	5.7	5.9	11.8	22	4.0	12.6
P1240.063-026	6	5.7	5.9	11.8	26	4.0	12.6
P1240.063-028	6	5.7	5.9	11.8	28	4.0	12.6
P1240.063-032	6	5.7	5.9	11.8	32	4.0	12.6
P1240.063-036	6	5.7	5.9	11.8	36	4.0	12.6
P1240.063-040	6	5.7	5.9	11.8	40	4.0	12.6
P1240.063-045	6	5.7	5.9	11.8	45	4.0	12.6
P1240.063-050	6	5.7	5.9	11.8	50	4.0	12.6
P1240.063-056	6	5.7	5.9	11.8	56	4.0	12.6
P1240.063-063	6	5.7	5.9	11.8	63	4.0	12.6
P1240.063-071	6	5.7	5.9	11.8	71	4.0	12.6
P1240.063-080	6	5.7	5.9	11.8	80	4.0	12.6
P1240.063-090	6	5.7	5.9	11.8	90	4.0	12.6
P1240.063-112	6	5.7	5.9	11.8	112	4.0	12.6
P1240.063-125	6	5.7	5.9	11.8	125	4.0	12.6
P1240.063-140	6	5.7	5.9	11.8	140	4.0	12.6
P1240.080-032	8	7.3	7.5	15	32	4.0	16.0
P1240.080-036	8	7.3	7.5	15	36	4.0	16.0
P1240.080-040	8	7.3	7.5	15	40	4.0	16.0
P1240.080-045	8	7.3	7.5	15	45	4.0	16.0
P1240.080-050	8	7.3	7.5	15	50	4.0	16.0
P1240.080-056	8	7.3	7.5	15	56	4.0	16.0
P1240.080-063	8	7.3	7.5	15	63	4.0	16.0
P1240.080-071	8	7.3	7.5	15	71	4.0	16.0
P1240.080-080	8	7.3	7.5	15	80	4.0	16.0
P1240.080-090	8	7.3	7.5	15	90	4.0	16.0
P1240.080-112	8	7.3	7.5	15	112	4.0	16.0
P1240.080-125	8	7.3	7.5	15	125	4.0	16.0
P1240.080-140	8	7.3	7.5	15	140	4.0	16.0
P1240.080-160	8	7.3	7.5	15	160	4.0	16.0
P1240.100-032	10	9.3	9.5	19	32	6.3	20.0
P1240.100-036	10	9.3	9.5	19	36	6.3	20.0
P1240.100-040	10	9.3	9.5	19	40	6.3	20.0
P1240.100-045	10	9.3	9.5	19	45	6.3	20.0
P1240.100-050	10	9.3	9.5	19	50	6.3	20.0
P1240.100-056	10	9.3	9.5	19	56	6.3	20.0
P1240.100-063	10	9.3	9.5	19	63	6.3	20.0
P1240.100-071	10	9.3	9.5	19	71	6.3	20.0
P1240.100-080	10	9.3	9.5	19	80	6.3	20.0
P1240.100-090	10	9.3	9.5	19	90	6.3	20.0
P1240.100-112	10	9.3	9.5	19	112	6.3	20.0
P1240.100-125	10	9.3	9.5	19	125	6.3	20.0
P1240.100-140	10	9.3	9.5	19	140	6.3	20.0
P1240.100-160	10	9.3	9.5	19	160	6.3	20.0
P1240.120-045	12	12.1	12.4	24.8	45	6.3	26.0
P1240.120-050	12	12.1	12.4	24.8	50	6.3	26.0
P1240.120-056	12	12.1	12.4	24.8	56	6.3	26.0
P1240.120-063	12	12.1	12.4	24.8	63	6.3	26.0
P1240.120-071	12	12.1	12.4	24.8	71	6.3	26.0
P1240.120-080	12	12.1	12.4	24.8	80	6.3	26.0
P1240.120-090	12	12.1	12.4	24.8	90	6.3	26.0
P1240.120-112	12	12.1	12.4	24.8	112	6.3	26.0
P1240.120-125	12	12.1	12.4	24.8	125	6.3	26.0
P1240.120-140	12	12.1	12.4	24.8	140	6.3	26.0
P1240.120-160	12	12.1	12.4	24.8	160	6.3	26.0



P1241



Material

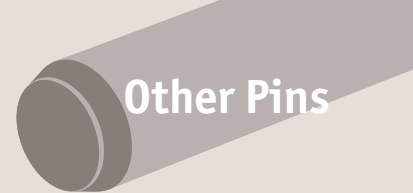
Stainless steel (A2, AISI 303).

pins require a loose fit, and as a result the metric versions can also be for inch sizes.

Technical Notes

To DIN 94 (equivalent to ISO 1234). Cotter

Order No.	d ₁ nom.	d ₂ max.	l ₁	l ₂ max.	l ₃ ≈
P1241.010-006	1	1.8	6	1.6	3.0
P1241.010-008	1	1.8	8	1.6	3.0
P1241.010-010	1	1.8	10	1.6	3.0
P1241.010-012	1	1.8	12	1.6	3.0
P1241.010-016	1	1.8	16	1.6	3.0
P1241.010-018	1	1.8	18	1.6	3.0
P1241.010-020	1	1.8	20	1.6	3.0
P1241.010-022	1	1.8	22	1.6	3.0
P1241.010-025	1	1.8	25	1.6	3.0
P1241.010-028	1	1.8	28	1.6	3.0
P1241.010-032	1	1.8	32	1.6	3.0
P1241.010-036	1	1.8	36	1.6	3.0
P1241.012-010	1.2	2	10	2.5	3.0
P1241.012-012	1.2	2	12	2.5	3.0
P1241.012-016	1.2	2	16	2.5	3.0
P1241.012-018	1.2	2	18	2.5	3.0
P1241.012-020	1.2	2	20	2.5	3.0
P1241.012-022	1.2	2	22	2.5	3.0
P1241.012-025	1.2	2	25	2.5	3.0
P1241.012-028	1.2	2	28	2.5	3.0
P1241.012-032	1.2	2	32	2.5	3.0
P1241.012-036	1.2	2	36	2.5	3.0
P1241.016-010	1.6	2.8	10	2.5	3.2
P1241.016-012	1.6	2.8	12	2.5	3.2
P1241.016-016	1.6	2.8	16	2.5	3.2
P1241.016-018	1.6	2.8	18	2.5	3.2
P1241.016-020	1.6	2.8	20	2.5	3.2
P1241.016-022	1.6	2.8	22	2.5	3.2
P1241.016-025	1.6	2.8	25	2.5	3.2
P1241.016-028	1.6	2.8	28	2.5	3.2
P1241.016-032	1.6	2.8	32	2.5	3.2
P1241.016-036	1.6	2.8	36	2.5	3.2
P1241.016-040	1.6	2.8	40	2.5	3.2
P1241.020-010	2	3.6	10	2.5	4.0

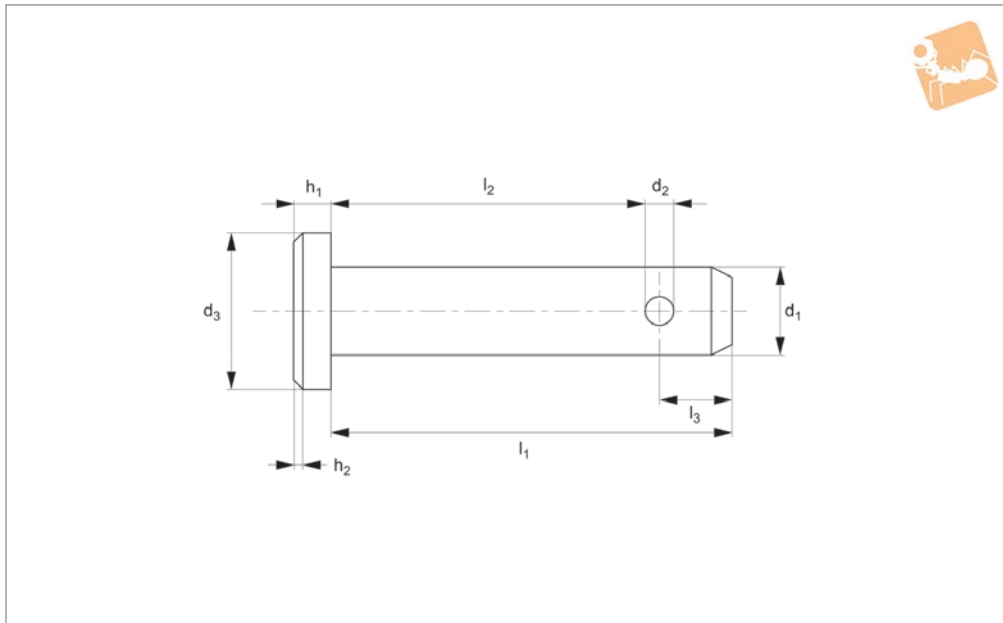


Order No.	d ₁ nom.	d ₂ max.	l ₁	l ₂ max.	l ₃ ≈
P1241.020-012	2	3.6	12	2.5	4.0
P1241.020-016	2	3.6	16	2.5	4.0
P1241.020-018	2	3.6	18	2.5	4.0
P1241.020-020	2	3.6	20	2.5	4.0
P1241.020-022	2	3.6	22	2.5	4.0
P1241.020-025	2	3.6	25	2.5	4.0
P1241.020-028	2	3.6	28	2.5	4.0
P1241.020-032	2	3.6	32	2.5	4.0
P1241.020-036	2	3.6	36	2.5	4.0
P1241.020-040	2	3.6	40	2.5	4.0
P1241.020-045	2	3.6	45	2.5	4.0
P1241.020-050	2	3.6	50	2.5	4.0
P1241.025-010	2.5	4.6	10	2.5	5.0
P1241.025-012	2.5	4.6	12	2.5	5.0
P1241.025-016	2.5	4.6	16	2.5	5.0
P1241.025-018	2.5	4.6	18	2.5	5.0
P1241.025-020	2.5	4.6	20	2.5	5.0
P1241.025-022	2.5	4.6	22	2.5	5.0
P1241.025-025	2.5	4.6	25	2.5	5.0
P1241.025-028	2.5	4.6	28	2.5	5.0
P1241.025-032	2.5	4.6	32	2.5	5.0
P1241.025-036	2.5	4.6	36	2.5	5.0
P1241.025-040	2.5	4.6	40	2.5	5.0
P1241.025-045	2.5	4.6	45	2.5	5.0
P1241.025-050	2.5	4.6	50	2.5	5.0
P1241.025-056	2.5	4.6	56	2.5	5.0
P1241.025-063	2.5	4.6	63	2.5	5.0
P1241.025-071	2.5	4.6	71	2.5	5.0
P1241.032-016	3.2	5.8	16	3.2	6.4
P1241.032-018	3.2	5.8	18	3.2	6.4
P1241.032-020	3.2	5.8	20	3.2	6.4
P1241.032-022	3.2	5.8	22	3.2	6.4
P1241.032-026	3.2	5.8	26	3.2	6.4
P1241.032-028	3.2	5.8	28	3.2	6.4
P1241.032-032	3.2	5.8	32	3.2	6.4
P1241.032-036	3.2	5.8	36	3.2	6.4
P1241.032-040	3.2	5.8	40	3.2	6.4
P1241.032-045	3.2	5.8	45	3.2	6.4
P1241.032-050	3.2	5.8	50	3.2	6.4
P1241.032-056	3.2	5.8	56	3.2	6.4
P1241.032-063	3.2	5.8	63	3.2	6.4
P1241.032-071	3.2	5.8	71	3.2	6.4
P1241.040-016	4	7.4	16	4.0	8.0
P1241.040-018	4	7.4	18	4.0	8.0
P1241.040-020	4	7.4	20	4.0	8.0
P1241.040-022	4	7.4	22	4.0	8.0
P1241.040-025	4	7.4	25	4.0	8.0
P1241.040-028	4	7.4	28	4.0	8.0
P1241.040-032	4	7.4	32	4.0	8.0
P1241.040-036	4	7.4	36	4.0	8.0
P1241.040-040	4	7.4	40	4.0	8.0
P1241.040-045	4	7.4	45	4.0	8.0
P1241.040-050	4	7.4	50	4.0	8.0
P1241.040-056	4	7.4	56	4.0	8.0
P1241.040-063	4	7.4	63	4.0	8.0
P1241.040-071	4	7.4	71	4.0	8.0
P1241.040-080	4	7.4	80	4.0	8.0
P1241.040-090	4	7.4	90	4.0	8.0
P1241.040-112	4	7.4	112	4.0	8.0
P1241.040-125	4	7.4	125	4.0	8.0
P1241.050-016	5	9.2	16	4.0	10
P1241.050-018	5	9.2	18	4.0	10
P1241.050-020	5	9.2	20	4.0	10
P1241.050-022	5	9.2	22	4.0	10
P1241.050-025	5	9.2	25	4.0	10
P1241.050-028	5	9.2	28	4.0	10
P1241.050-032	5	9.2	32	4.0	10
P1241.050-036	5	9.2	36	4.0	10

OTHER PINS



Order No.	d ₁ nom.	d ₂ max.	l ₁	l ₂ max.	l ₃ ≈
P1241.050-040	5	9.2	40	4.0	10
P1241.050-045	5	9.2	45	4.0	10
P1241.050-050	5	9.2	50	4.0	10
P1241.050-056	5	9.2	56	4.0	10
P1241.050-063	5	9.2	63	4.0	10
P1241.050-071	5	9.2	71	4.0	10
P1241.050-080	5	9.2	80	4.0	10
P1241.050-090	5	9.2	90	4.0	10
P1241.050-112	5	9.2	112	4.0	10
P1241.050-125	5	9.2	125	4.0	10
P1241.063-020	6.3	11.8	20	4.0	12.6
P1241.063-022	6.3	11.8	22	4.0	12.6
P1241.063-026	6.3	11.8	26	4.0	12.6
P1241.063-028	6.3	11.8	28	4.0	12.6
P1241.063-032	6.3	11.8	32	4.0	12.6
P1241.063-036	6.3	11.8	36	4.0	12.6
P1241.063-040	6.3	11.8	40	4.0	12.6
P1241.063-045	6.3	11.8	45	4.0	12.6
P1241.063-050	6.3	11.8	50	4.0	12.6
P1241.063-056	6.3	11.8	56	4.0	12.6
P1241.063-063	6.3	11.8	63	4.0	12.6
P1241.063-071	6.3	11.8	71	4.0	12.6
P1241.063-080	6.3	11.8	80	4.0	12.6
P1241.063-090	6.3	11.8	90	4.0	12.6
P1241.063-112	6.3	11.8	112	4.0	12.6
P1241.063-125	6.3	11.8	125	4.0	12.6
P1241.063-140	6.3	11.8	140	4.0	12.6



P1242

OTHER PINS

Material

Mild steel, zinc-plated.

Technical Notes

To DIN 1444 B (ISO 2341 form B). The grip

length is l_2 .

l_1 tolerances:-
up to 10mm long $\pm 0,25$
12-50mm long $\pm 0,50$

over 50mm long $\pm 0,75$.

Tips

For use with cotter pins (P1240 or P1241) or retaining pins (P1243).

Order No.	d_1 tol. h11	d_2	d_3	h_1	h_2	l_1	l_2	l_3
P1242.050-010	5	1.2	8.0	1.6	0.5	10	6.5	2.9
P1242.050-012	5	1.2	8.0	1.6	0.5	12	8.5	2.9
P1242.050-016	5	1.2	8.0	1.6	0.5	16	12.5	2.9
P1242.050-018	5	1.2	8.0	1.6	0.5	18	14.5	2.9
P1242.050-020	5	1.2	8.0	1.6	0.5	20	16.5	2.9
P1242.050-022	5	1.2	8.0	1.6	0.5	22	18.5	2.9
P1242.050-024	5	1.2	8.0	1.6	0.5	24	20.5	2.9
P1242.050-026	5	1.2	8.0	1.6	0.5	26	22.5	2.9
P1242.050-028	5	1.2	8.0	1.6	0.5	28	24.5	2.9
P1242.050-030	5	1.2	8.0	1.6	0.5	30	26.5	2.9
P1242.050-032	5	1.2	8.0	1.6	0.5	32	28.5	2.9
P1242.050-035	5	1.2	8.0	1.6	0.5	35	31.5	2.9
P1242.050-040	5	1.2	8.0	1.6	0.5	40	36.5	2.9
P1242.050-045	5	1.2	8.0	1.6	0.5	45	41.5	2.9
P1242.050-050	5	1.2	8.0	1.6	0.5	50	46.5	2.9
P1242.060-012	6	1.6	10.0	2.0	1.0	12	8.0	3.2
P1242.060-016	6	1.6	10.0	2.0	1.0	16	12.0	3.2
P1242.060-018	6	1.6	10.0	2.0	1.0	18	14.0	3.2
P1242.060-020	6	1.6	10.0	2.0	1.0	20	16.0	3.2
P1242.060-022	6	1.6	10.0	2.0	1.0	22	18.0	3.2
P1242.060-024	6	1.6	10.0	2.0	1.0	24	20.0	3.2
P1242.060-026	6	1.6	10.0	2.0	1.0	26	22.0	3.2
P1242.060-028	6	1.6	10.0	2.0	1.0	28	24.0	3.2
P1242.060-030	6	1.6	10.0	2.0	1.0	30	26.0	3.2
P1242.060-032	6	1.6	10.0	2.0	1.0	32	28.0	3.2
P1242.060-035	6	1.6	10.0	2.0	1.0	35	31.0	3.2
P1242.060-040	6	1.6	10.0	2.0	1.0	40	36.0	3.2
P1242.060-045	6	1.6	10.0	2.0	1.0	45	41.0	3.2
P1242.060-050	6	1.6	10.0	2.0	1.0	50	46.0	3.2
P1242.060-055	6	1.6	10.0	2.0	1.0	55	51.0	3.2
P1242.060-060	6	1.6	10.0	2.0	1.0	60	56.0	3.2
P1242.080-016	8	2	14.0	3.0	1.0	16	11.5	3.5
P1242.080-018	8	2	14.0	3.0	1.0	18	13.5	3.5
P1242.080-020	8	2	14.0	3.0	1.0	20	15.5	3.5



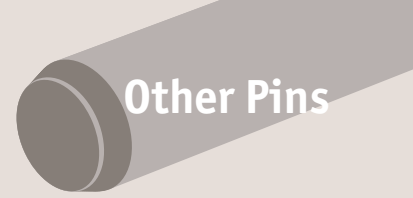
OTHER PINS

Order No.	d ₁ tol. h11	d ₂	d ₃	h ₁	h ₂	l ₁	l ₂	l ₃
P1242.080-022	8	2	14.0	3.0	1.0	22	17.5	3.5
P1242.080-024	8	2	14.0	3.0	1.0	24	19.5	3.5
P1242.080-026	8	2	14.0	3.0	1.0	26	21.5	3.5
P1242.080-028	8	2	14.0	3.0	1.0	28	23.5	3.5
P1242.080-030	8	2	14.0	3.0	1.0	30	25.5	3.5
P1242.080-032	8	2	14.0	3.0	1.0	32	27.5	3.5
P1242.080-035	8	2	14.0	3.0	1.0	35	30.5	3.5
P1242.080-040	8	2	14.0	3.0	1.0	40	35.5	3.5
P1242.080-045	8	2	14.0	3.0	1.0	45	40.5	3.5
P1242.080-050	8	2	14.0	3.0	1.0	50	45.5	3.5
P1242.080-055	8	2	14.0	3.0	1.0	55	50.5	3.5
P1242.080-060	8	2	14.0	3.0	1.0	60	55.5	3.5
P1242.080-065	8	2	14.0	3.0	1.0	65	60.5	3.5
P1242.080-070	8	2	14.0	3.0	1.0	70	65.5	3.5
P1242.080-075	8	2	14.0	3.0	1.0	75	70.5	3.5
P1242.080-080	8	2	14.0	3.0	1.0	80	75.5	3.5
P1242.100-020	10	3.2	18.0	4.0	1.0	20	13.9	4.5
P1242.100-022	10	3.2	18.0	4.0	1.0	22	15.9	4.5
P1242.100-024	10	3.2	18.0	4.0	1.0	24	17.9	4.5
P1242.100-028	10	3.2	18.0	4.0	1.0	28	21.9	4.5
P1242.100-030	10	3.2	18.0	4.0	1.0	30	23.9	4.5
P1242.100-032	10	3.2	18.0	4.0	1.0	32	25.9	4.5
P1242.100-035	10	3.2	18.0	4.0	1.0	35	28.9	4.5
P1242.100-040	10	3.2	18.0	4.0	1.0	40	33.9	4.5
P1242.100-045	10	3.2	18.0	4.0	1.0	45	38.9	4.5
P1242.100-050	10	3.2	18.0	4.0	1.0	50	43.9	4.5
P1242.100-055	10	3.2	18.0	4.0	1.0	55	48.9	4.5
P1242.100-060	10	3.2	18.0	4.0	1.0	60	53.9	4.5
P1242.100-065	10	3.2	18.0	4.0	1.0	65	58.9	4.5
P1242.100-070	10	3.2	18.0	4.0	1.0	70	63.9	4.5
P1242.100-075	10	3.2	18.0	4.0	1.0	75	68.9	4.5
P1242.100-080	10	3.2	18.0	4.0	1.0	80	73.9	4.5
P1242.100-085	10	3.2	18.0	4.0	1.0	85	78.9	4.5
P1242.100-090	10	3.2	18.0	4.0	1.0	90	83.9	4.5
P1242.100-095	10	3.2	18.0	4.0	1.0	95	88.9	4.5
P1242.100-100	10	3.2	18.0	4.0	1.0	100	93.9	4.5
P1242.120-024	12	3.2	20.0	4.0	1.5	24	16.9	5.5
P1242.120-026	12	3.2	20.0	4.0	1.5	26	18.9	5.5
P1242.120-028	12	3.2	20.0	4.0	1.5	28	20.9	5.5
P1242.120-030	12	3.2	20.0	4.0	1.5	30	22.9	5.5
P1242.120-032	12	3.2	20.0	4.0	1.5	32	24.9	5.5
P1242.120-035	12	3.2	20.0	4.0	1.5	35	27.9	5.5
P1242.120-040	12	3.2	20.0	4.0	1.5	40	32.9	5.5
P1242.120-045	12	3.2	20.0	4.0	1.5	45	37.9	5.5
P1242.120-050	12	3.2	20.0	4.0	1.5	50	42.9	5.5
P1242.120-055	12	3.2	20.0	4.0	1.5	55	47.9	5.5
P1242.120-060	12	3.2	20.0	4.0	1.5	60	52.9	5.5
P1242.120-065	12	3.2	20.0	4.0	1.5	65	57.9	5.5
P1242.120-070	12	3.2	20.0	4.0	1.5	70	62.9	5.5
P1242.120-075	12	3.2	20.0	4.0	1.5	75	67.9	5.5
P1242.120-080	12	3.2	20.0	4.0	1.5	80	72.9	5.5
P1242.120-085	12	3.2	20.0	4.0	1.5	85	77.9	5.5
P1242.120-090	12	3.2	20.0	4.0	1.5	90	82.9	5.5
P1242.120-095	12	3.2	20.0	4.0	1.5	95	87.9	5.5
P1242.120-100	12	3.2	20.0	4.0	1.5	100	92.9	5.5
P1242.120-120	12	3.2	20.0	4.0	1.5	120	112.9	5.5

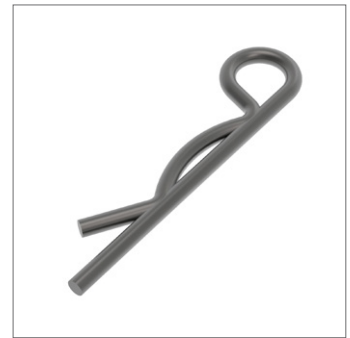
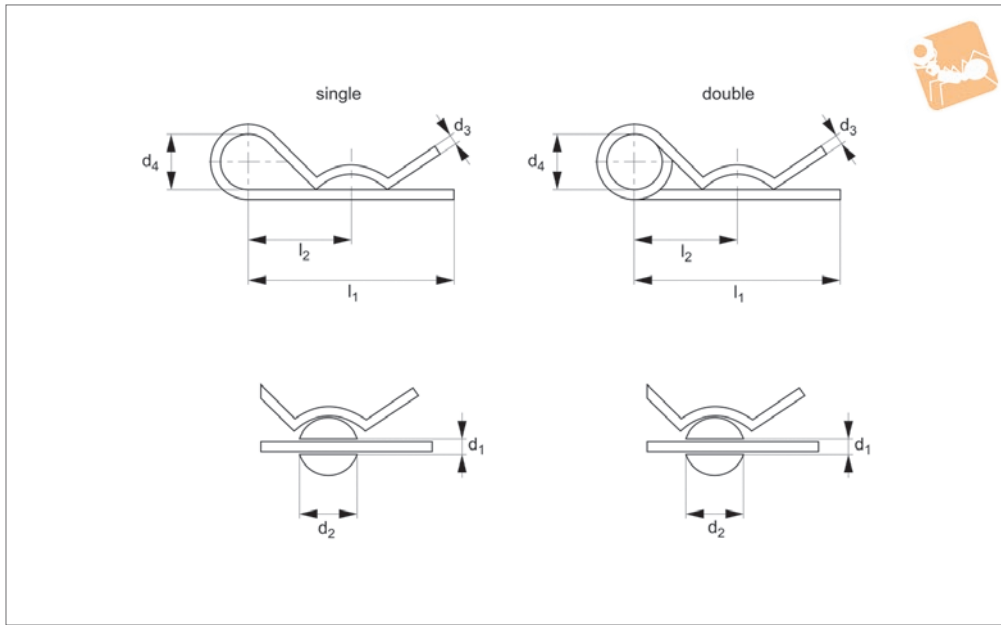


Retaining Pins (R Clips)

R clips



Other Pins



P1243

OTHER PINS

Material

Spring steel (zinc-plated) or stainless steel (A2, AISI 303 or A4, AISI 316).

Technical Notes

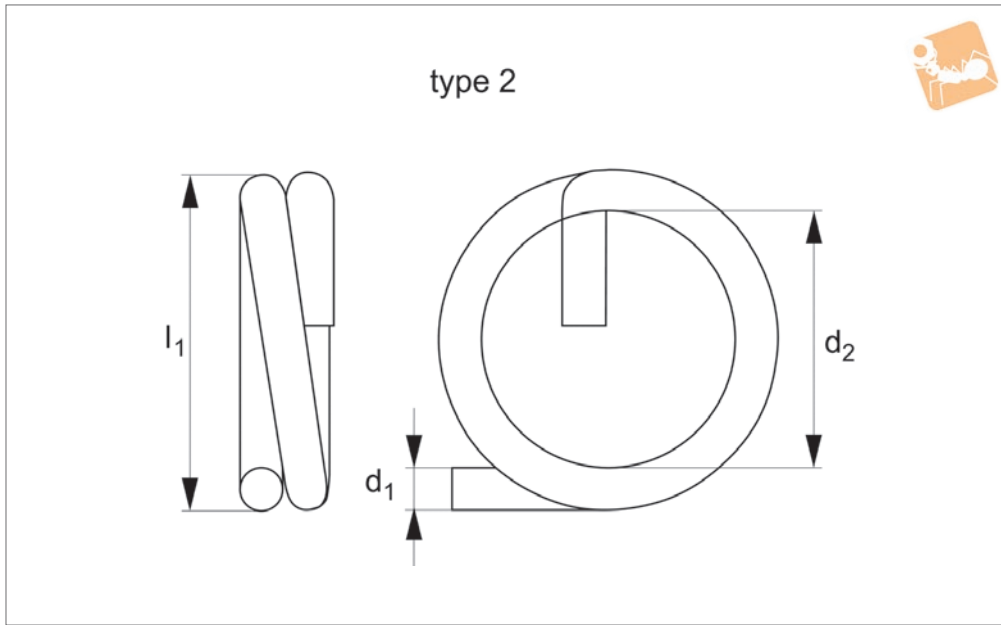
To DIN 11024.
Single coils and double coils (for more

demanding applications).

Order No.	For hole dia. d_1	Type	d_2 range	d_4	l_1	l_2	Wire dia. d_3	Material
P1243.015-S-ZP	1.5	Single	5-8	-	22	-	1.2	Steel
P1243.020-S-ZP	2.0	Single	6-10	8.5	25	14.4	1.6	Steel
P1243.022-S-ZP	2.2	Single	8-13	8.8	36	15.8	1.8	Steel
P1243.025-S-ZP	2.5	Single	9-14	10.2	56	25.6	2.0	Steel
P1243.035-S-ZP	3.5	Single	10-20	18.5	72	30.0	3.0	Steel
P1243.045-S-ZP	4.0	Single	16-25	20.7	60	33.4	4.0	Steel
P1243.060-S-ZP	6.0	Single	20-28	25.0	102	43.0	5.0	Steel
P1243.070-S-ZP	7.0	Single	28-40	-	124	-	6.0	Steel
P1243.080-S-ZP	8.0	Single	28-45	28.9	110	59.0	7.0	Steel
P1243.090-S-ZP	9.0	Single	30-45	-	128	-	8.0	Steel
P1243.020-S-A2	2.5	Single	8-7	10.0	40	25.0	2.0	A2 s/s
P1243.025-S-A2	3.0	Single	10-16	11.0	46	24.0	2.5	A2 s/s
P1243.030-S-A2	3.5	Single	16-18	16.0	60	34.0	3.0	A2 s/s
P1243.045-S-A2	4.5	Single	18-20	19.0	64	36.0	4.0	A2 s/s
P1243.050-S-A2	6.0	Single	20-28	26.0	82	45.0	5.0	A2 s/s
P1243.060-S-A2	7.0	Single	28-40	30.0	110	60.0	6.0	A2 s/s
P1243.020-S-A4	2.5	Single	8-7	10.0	40	25.0	2.0	A4 s/s
P1243.025-S-A4	3.0	Single	10-16	11.0	46	24.0	2.5	A4 s/s
P1243.030-S-A4	3.5	Single	16-18	16.0	60	34.0	3.0	A4 s/s
P1243.045-S-A4	4.5	Single	18-20	19.0	64	36.0	4.0	A4 s/s
P1243.050-S-A4	6.0	Single	20-28	26.0	82	45.0	5.0	A4 s/s
P1243.060-S-A4	7.0	Single	28-40	30.0	110	60.0	6.0	A4 s/s
P1243.025-D-ZP	2.5	Double	8-14	10.3	52	26.3	2.0	Steel
P1243.035-D-ZP	3.5	Double	14-20	16.0	72	36.4	3.0	Steel
P1243.045-D-ZP	4.5	Double	17-24	24.7	80	43.8	4.0	Steel
P1243.055-D-ZP	5.5	Double	18-30	26.1	98	53.4	5.0	Steel
P1243.065-D-ZP	6.5	Double	24-36	28.9	120	72.5	6.0	Steel
P1243.080-D-ZP	8.0	Double	26-40	-	148	-	7.0	Steel
P1243.090-D-ZP	9.0	Double	24-40	-	149	-	8.0	Steel
P1243.025-D-A2	2.5	Double	9-11	20.0	48	24.0	2.25	A2 s/s
P1243.032-D-A2	3.2	Double	11-14	20.0	48	26.0	2.8	A2 s/s
P1243.040-D-A2	4.0	Double	14-20	20.0	64	32.0	3.6	A2 s/s
P1243.050-D-A2	5.0	Double	20-26	25.0	80	39.0	4.5	A2 s/s
P1243.063-D-A2	6.3	Double	26-34	25.0	97	45.0	5.6	A2 s/s
P1243.070-D-A2	7.0	Double	34-35	30.0	125	56.0	6.3	A2 s/s



Order No.	For hole dia. d_1	Type	d_2 range	d_4	l_1	l_2	Wire dia. d_3	Material
P1243.080-D-A2	8.0	Double	45-56	30.0	150	63.0	7.0	A2 s/s
P1243.025-D-A4	2.5	Double	9-11	20.0	42	24.0	2.25	A4 s/s
P1243.032-D-A4	3.2	Double	11-14	20.0	48	26.0	2.8	A4 s/s
P1243.040-D-A4	4.0	Double	14-20	20.0	64	32.0	3.6	A4 s/s
P1243.050-D-A4	5.0	Double	20-26	25.0	80	39.0	4.5	A4 s/s
P1243.063-D-A4	6.3	Double	26-34	25.0	97	45.0	5.6	A4 s/s
P1243.070-D-A4	7.0	Double	34-45	30.0	125	56.0	6.3	A4 s/s
P1243.080-D-A4	8.0	Double	45-56	30.0	150	63.0	7.0	A4 s/s



P1244

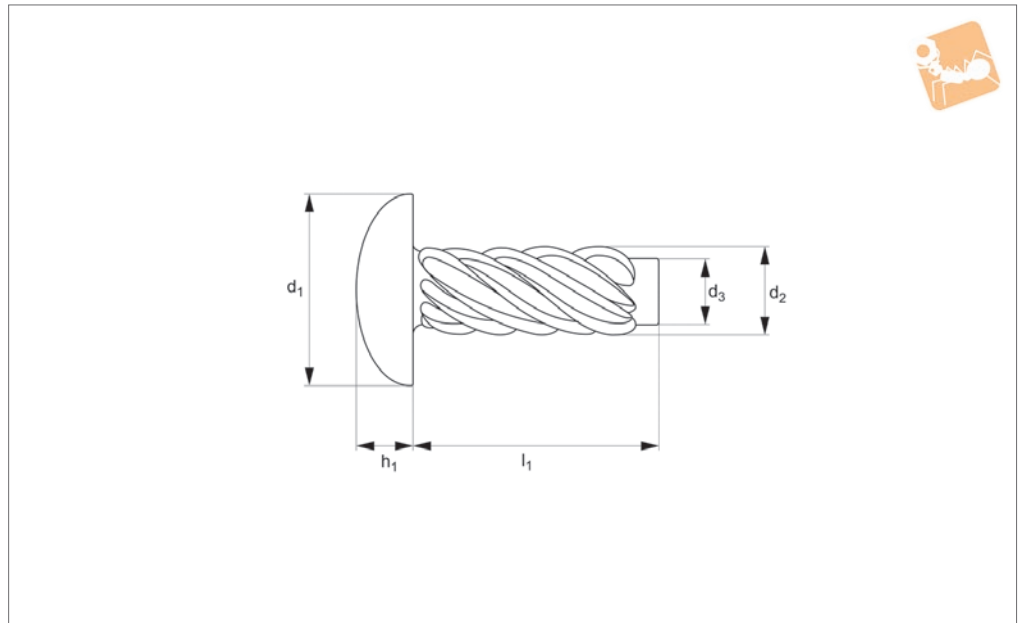
OTHER PINS

Material 316).
 Spring steel (EN10270-1-SM), yellow galvanised, or stainless steel (A4, AISI

Order No.	d ₁	Type	d ₂	Material
P1244.010-A4	1.0	Type 2	10.0	A4 s/s
P1244.012-A4	1.2	Type 2	13.8	A4 s/s
P1244.015-A4	1.5	Type 2	18.5	A4 s/s
P1244.020-A4	2.0	Type 2	23.0	A4 s/s



P1245.A2



Material

Stainless steel (A2, AISI 303).

non-ferrous castings, aluminium and plastics refer to dimension d_4 .

Technical Notes

For recommended hole size in thin metals,

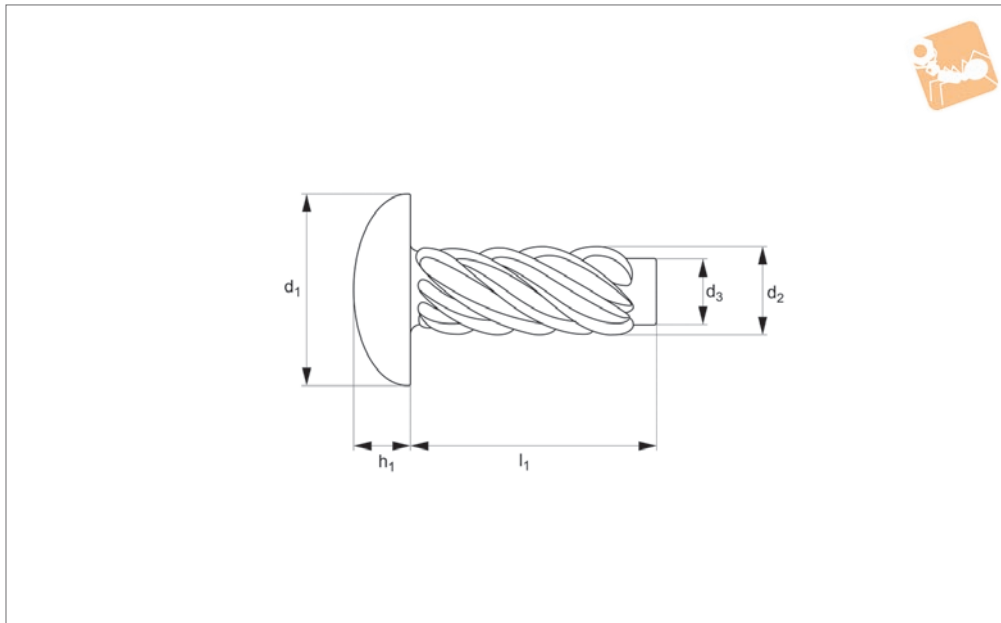
For recommended hole size in cast iron and thick sheet metal refer to dimension d_5 .

Order No.	d_1 max.	d_2 max.	d_3 max.	l_1	h_1 max.	d_4	d_5
P1245.015-030-A2	1.5	2.5	1.25	3.25	0.86	1.30	1.40
P1245.015-045-A2	1.5	2.5	1.25	4.50	0.86	1.30	1.40
P1245.015-065-A2	1.5	2.5	1.25	6.50	0.86	1.30	1.40
P1245.015-080-A2	1.5	2.5	1.25	8.00	0.86	1.30	1.40
P1245.015-095-A2	1.5	2.5	1.25	9.50	0.86	1.30	1.40
P1245.019-030-A2	1.9	3.2	1.60	3.25	1.24	1.65	1.75
P1245.019-045-A2	1.9	3.2	1.60	4.50	1.24	1.65	1.75
P1245.019-065-A2	1.9	3.2	1.60	6.50	1.24	1.65	1.75
P1245.019-080-A2	1.9	3.2	1.60	8.00	1.24	1.65	1.75
P1245.019-095-A2	1.9	3.2	1.60	9.50	1.24	1.65	1.75
P1245.025-030-A2	2.5	4.1	2.10	3.25	1.75	2.20	2.30
P1245.025-045-A2	2.5	4.1	2.10	4.50	1.75	2.20	2.30
P1245.025-065-A2	2.5	4.1	2.10	6.50	1.75	2.20	2.30
P1245.025-080-A2	2.5	4.1	2.10	8.00	1.75	2.20	2.30
P1245.025-095-A2	2.5	4.1	2.10	9.50	1.75	2.20	2.30
P1245.025-130-A2	2.5	4.1	2.10	13.00	1.75	2.20	2.30
P1245.029-045-A2	2.9	5.4	2.44	4.50	2.18	2.55	2.70
P1245.029-065-A2	2.9	5.4	2.44	6.50	2.18	2.55	2.70
P1245.029-080-A2	2.9	5.4	2.44	8.00	2.18	2.55	2.70
P1245.029-095-A2	2.9	5.4	2.44	9.50	2.18	2.55	2.70
P1245.035-065-A2	3.5	6.6	2.95	6.50	2.62	3.10	3.30
P1245.035-080-A2	3.5	6.6	2.95	8.00	2.62	3.10	3.30
P1245.035-095-A2	3.5	6.6	2.95	9.50	2.62	3.10	3.30
P1245.035-130-A2	3.5	6.6	2.95	13.00	2.62	3.10	3.30
P1245.035-160-A2	3.5	6.6	2.95	16.00	2.62	3.10	3.30
P1245.035-190-A2	3.5	6.6	2.95	19.00	2.62	3.10	3.30
P1245.042-065-A2	4.2	7.9	3.45	6.5	3.05	3.70	3.90
P1245.042-080-A2	4.2	7.9	3.45	8.0	3.05	3.70	3.90
P1245.042-095-A2	4.2	7.9	3.45	9.5	3.05	3.70	3.90
P1245.042-130-A2	4.2	7.9	3.45	13.0	3.05	3.70	3.90
P1245.048-095-A2	4.8	9.1	3.81	9.5	3.48	4.10	4.30
P1245.048-130-A2	4.8	9.1	3.81	13.0	3.48	4.10	4.30



Hammer Drive Pins

steel



P1245

OTHER PINS

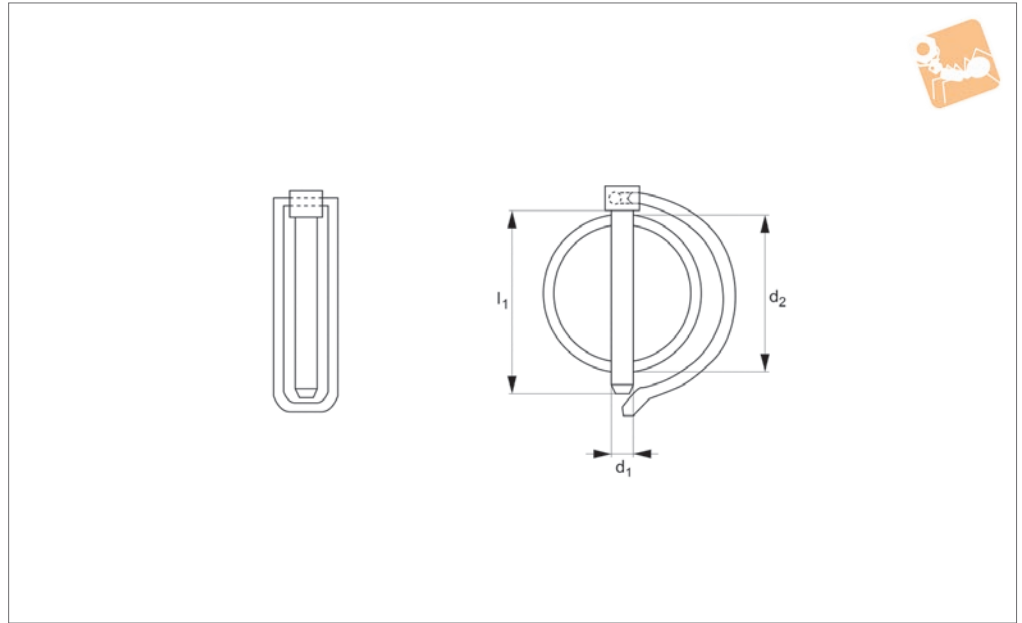
Material

Steel (nickel-plated or self-colour).

Order No.	d ₁	d ₂	d ₃	l ₁	h ₁	Recc. hole
P1245.014-005-SC	2.60	1.63	1.40	5.0	0.90	1.40
P1245.014-060-SC	2.60	1.63	1.40	6.0	0.90	1.40
P1245.014-800-SC	2.60	1.63	1.40	8.0	0.90	1.40
P1245.016-050-SC	3.00	1.83	1.60	5.0	1.10	1.60
P1245.016-060-SC	3.00	1.83	1.60	6.0	1.10	1.60
P1245.016-080-SC	3.00	1.83	1.60	8.0	1.10	1.60
P1245.020-060-SC	3.70	2.30	2.00	6.0	1.30	2.00
P1245.020-080-SC	3.70	2.30	2.00	8.0	1.30	2.00
P1245.020-100-SC	3.70	2.30	2.00	10.0	1.30	2.00
P1245.025-060-SC	4.60	2.80	2.50	6.0	1.60	2.55
P1245.025-080-SC	4.60	2.80	2.50	8.0	1.60	2.55
P1245.025-100-SC	4.60	2.80	2.50	10.0	1.60	2.55
P1245.030-080-SC	5.45	3.35	3.00	8.0	1.95	3.00
P1245.030-100-SC	5.45	3.35	3.00	10.0	1.95	3.00
P1245.030-120-SC	5.45	3.35	3.00	12.0	1.95	3.00
P1245.040-100-SC	7.25	4.35	4.00	10.0	2.55	4.00
P1245.040-120-SC	7.25	4.35	4.00	12.0	2.55	4.00
P1245.040-160-SC	7.25	4.35	4.00	16.0	2.55	4.00
P1245.050-120-SC	9.10	5.35	5.00	12.0	3.15	5.00
P1245.050-160-SC	9.10	5.35	5.00	16.0	3.15	5.00
P1245.050-200-SC	9.10	5.35	5.00	20.0	3.15	5.00
P1245.060-160-SC	10.80	6.35	6.00	16.0	3.75	6.00
P1245.060-200-SC	10.80	6.35	6.00	20.0	3.75	6.00
P1245.035-095-NP	6.60	3.50	2.94	9.5	2.61	3.05
P1245.035-065-NP	6.60	3.50	2.94	6.4	2.61	3.05



P1248



Material

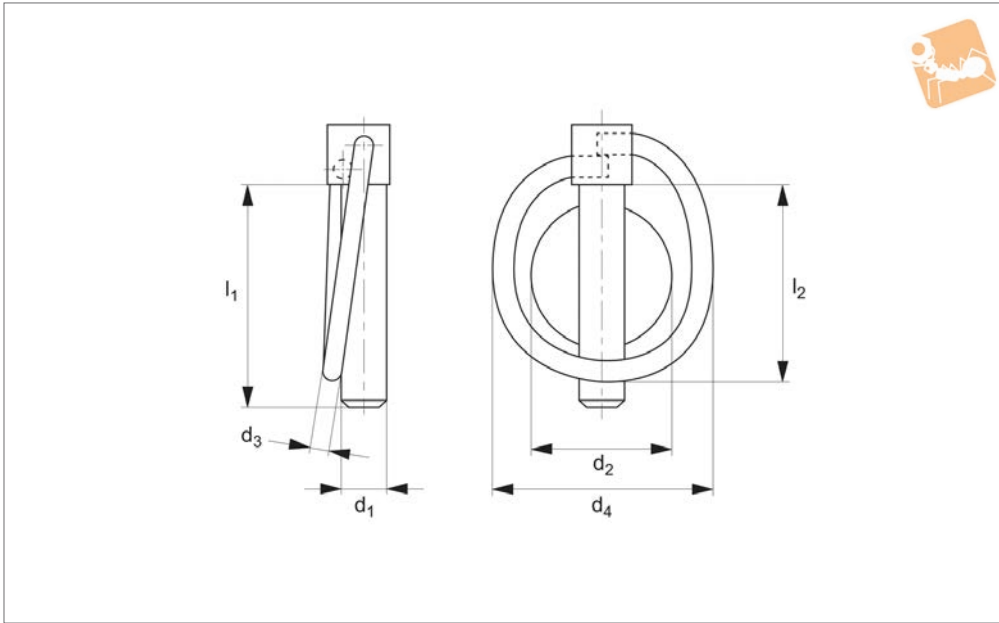
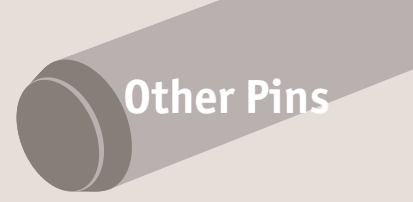
Mild steel, generally silver zinc-plated.
Zinc plating colour will be at manufac-

turers discretion.

Technical Notes

With spring steel „keep“.

Order No.	d ₁	l ₁	d ₂ max.
P1248.045-032	4.5	32	28
P1248.045-040	4.5	40	36
P1248.060-032	6.0	32	28
P1248.060-040	6.0	40	36
P1248.060-045	6.0	45	40
P1248.080-040	8.0	40	36
P1248.080-045	8.0	45	40
P1248.080-050	8.0	50	45
P1248.080-060	8.0	60	50
P1248.100-040	10.0	40	36
P1248.100-050	10.0	50	45
P1248.100-060	10.0	60	55
P1248.110-045	11.0	45	40
P1248.110-055	11.0	55	50



P1247

OTHER PINS

Material

Mild steel, generally yellow zinc plated.

For pin $d_1 = 4,5$ & 6 there is no flat on the pin.

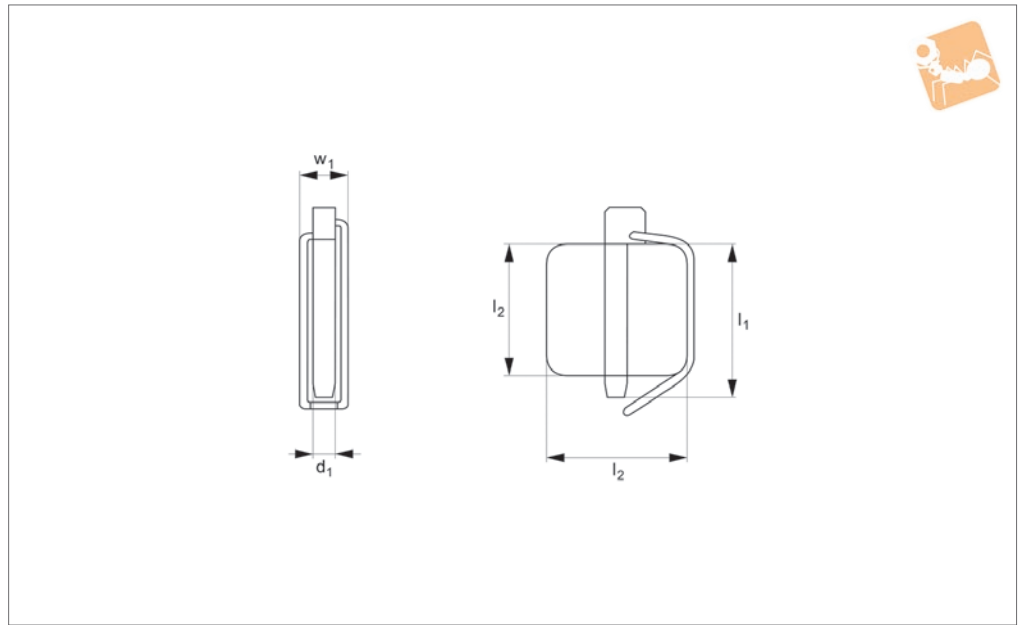
Technical Notes

To DIN 11023. With spring steel „keep“.

Order No.	d_1	l_1	d_2 max.	d_3	d_4	l_2
P1247.045	4.5	42	25	3.5	41	37
P1247.060	6.0	42	32	3.5	41	37
P1247.070	7.0	42	32	3.5	41	37
P1247.080	8.0	42	32	3.5	41	37
P1247.090	9.0	42	32	3.5	41	37
P1247.100	10.0	42	32	3.5	41	37
P1247.110	11.0	42	32	3.5	41	37



P1249



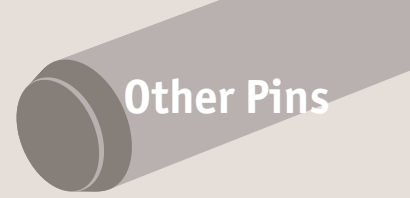
Material

Spring steel (EN10270-1-SM), yellow galvanised.

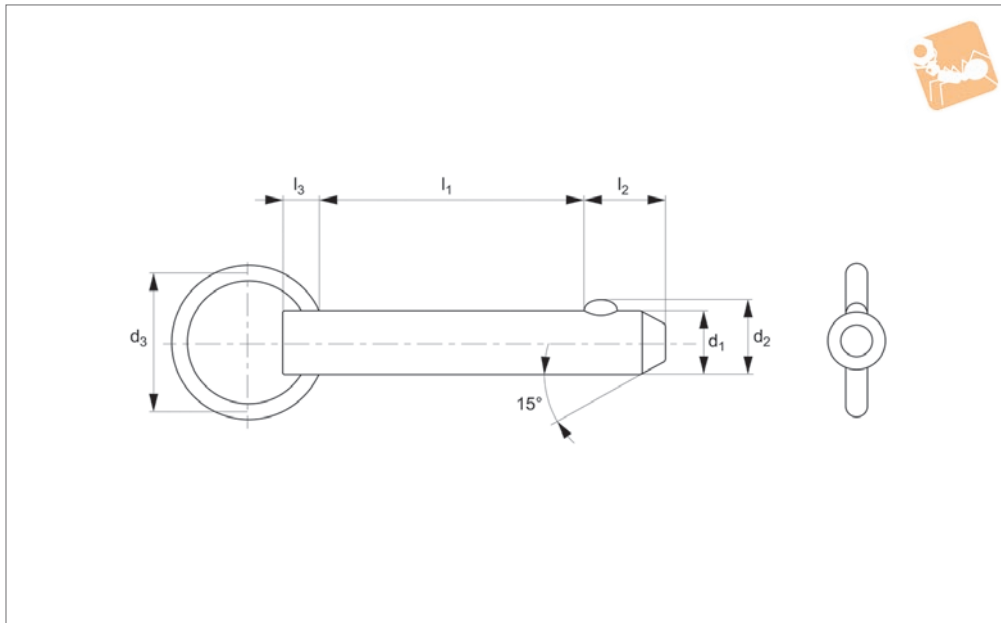
Order No.	d_1	l_1	l_2	w_1
P1249.040	9.5	55	40 x 40	16
P1249.050	9.5	65	50 x 50	21
P1249.060	11.5	75	60 x 60	23



Detent Pin Steel



Other Pins



P1250.1

OTHER PINS

Material

Shaft: Carbon steel (C1144), zinc plated.
Ball & spring: Stainless steel AISI 316.

Technical Notes

Detent pins are very economical for use in commercial and military equipment. The solid body with direct spring loaded

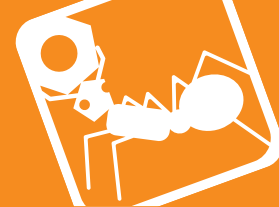
ball ensures reliable operation. Can be used for locking telescopic tubing, securing bracket assemblies, as anchor clevis fittings, hinge pins and as replacement for cotter pins where frequent removal is necessary. Hole sizes - commercial drills provide clear-

ance for our standard pins. Inch dimensions in brackets ().

Tips

Also available in stainless steel see part no. P1252.1

Order No.	d ₁ +0.00 -0.08	l ₁ grip +1.50 -0.00	d ₂	d ₃	l ₂	l ₃	Pull out strength kg	Single shear strength kN min.
P1250.018-030	4,76 (3/16")	7,62 (0,3")	5.18	25.4	5.08	4.74	1,9 - 2,3	10.8
P1250.018-050	4,76 (3/16")	12,7 (0,5")	5.18	25.4	5.08	4.74	1,9 - 2,3	10.8
P1250.018-060	4,76 (3/16")	15,2 (0,6")	5.18	25.4	5.08	4.74	1,9 - 2,3	10.8
P1250.018-070	4,76 (3/16")	17,8 (0,7")	5.18	25.4	5.08	4.74	1,9 - 2,3	10.8
P1250.018-080	4,76 (3/16")	20,3 (0,8")	5.18	25.4	5.08	4.74	1,9 - 2,3	10.8
P1250.018-090	4,76 (3/16")	22,9 (0,9")	5.18	25.4	5.08	4.74	1,9 - 2,3	10.8
P1250.018-110	4,76 (3/16")	27,9 (1,1")	5.18	25.4	5.08	4.74	1,9 - 2,3	10.8
P1250.018-130	4,76 (3/16")	33,0 (1,3")	5.18	25.4	5.08	4.74	1,9 - 2,3	10.8
P1250.018-150	4,76 (3/16")	38,1 (1,5")	5.18	25.4	5.08	4.74	1,9 - 2,3	10.8
P1250.018-170	4,76 (3/16")	43,2 (1,7")	5.18	25.4	5.08	4.74	1,9 - 2,3	10.8
P1250.018-190	4,76 (3/16")	48,2 (1,9")	5.18	25.4	5.08	4.74	1,9 - 2,3	10.8
P1250.018-200	4,76 (3/16")	50,8 (2")	5.18	25.4	5.08	4.74	1,9 - 2,3	10.8
P1250.018-210	4,76 (3/16")	53,3 (2,1")	5.18	25.4	5.08	4.74	1,9 - 2,3	10.8
P1250.018-230	4,76 (3/16")	58,4 (2,3")	5.18	25.4	5.08	4.74	1,9 - 2,3	10.8
P1250.018-250	4,76 (3/16")	63,5 (2,5")	5.18	25.4	5.08	4.74	1,9 - 2,3	10.8
P1250.018-270	4,76 (3/16")	68,6 (2,7")	5.18	25.4	5.08	4.74	1,9 - 2,3	10.8
P1250.018-280	4,76 (3/16")	71,1 (2,8")	5.18	25.4	5.08	4.74	1,9 - 2,3	10.8
P1250.018-290	4,76 (3/16")	73,7 (2,9")	5.18	25.4	5.08	4.74	1,9 - 2,3	10.8
P1250.018-310	4,76 (3/16")	78,7 (3,1")	5.18	25.4	5.08	4.74	1,9 - 2,3	10.8
P1250.018-330	4,76 (3/16")	83,8 (3,3")	5.18	25.4	5.08	4.74	1,9 - 2,3	10.8
P1250.018-350	4,76 (3/16")	88,9 (3,5")	5.18	25.4	5.08	4.74	1,9 - 2,3	10.8
P1250.018-370	4,76 (3/16")	94,0 (3,7")	5.18	25.4	5.08	4.74	1,9 - 2,3	10.8
P1250.018-390	4,76 (3/16")	99,1 (3,9")	5.18	25.4	5.08	4.74	1,9 - 2,3	10.8
P1250.025-030	6,35 (1/4")	7,62 (0,3")	7.26	25.4	7.92	5.58	2,27 - 2,73	19.3
P1250.025-050	6,35 (1/4")	12,7 (0,5")	7.26	25.4	7.92	5.58	2,27 - 2,73	19.3
P1250.025-070	6,35 (1/4")	17,8 (0,7")	7.26	25.4	7.92	5.58	2,27 - 2,73	19.3
P1250.025-090	6,35 (1/4")	22,9 (0,9")	7.26	25.4	7.92	5.58	2,27 - 2,73	19.3
P1250.025-100	6,35 (1/4")	25,4 (1")	7.26	25.4	7.92	5.58	2,27 - 2,73	19.3
P1250.025-110	6,35 (1/4")	27,9 (1,1")	7.26	25.4	7.92	5.58	2,27 - 2,73	19.3

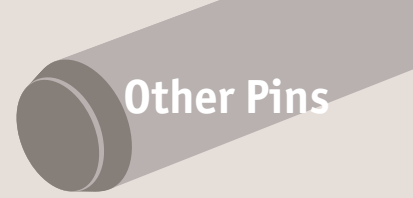


OTHER PINS

Order No.	d ₁ +0.00 -0.08	l ₁ grip +1.50 -0.00	d ₂	d ₃	l ₂	l ₃	Pull out strength kg	Single shear strength kN min.
P1250.025-130	6,35 (1/4")	33,0 (1,3")	7.26	25.4	7.92	5.58	2,27 - 2,73	19.3
P1250.025-150	6,35 (1/4")	38,1 (1,5")	7.26	25.4	7.92	5.58	2,27 - 2,73	19.3
P1250.025-170	6,35 (1/4")	43,2 (1,7")	7.26	25.4	7.92	5.58	2,27 - 2,73	19.3
P1250.025-190	6,35 (1/4")	48,2 (1,9")	7.26	25.4	7.92	5.58	2,27 - 2,73	19.3
P1250.025-210	6,35 (1/4")	53,3 (2,1")	7.26	25.4	7.92	5.58	2,27 - 2,73	19.3
P1250.025-230	6,35 (1/4")	58,4 (2,3")	7.26	25.4	7.92	5.58	2,27 - 2,73	19.3
P1250.025-250	6,35 (1/4")	63,5 (2,5")	7.26	25.4	7.92	5.58	2,27 - 2,73	19.3
P1250.025-270	6,35 (1/4")	68,6 (2,7")	7.26	25.4	7.92	5.58	2,27 - 2,73	19.3
P1250.025-290	6,35 (1/4")	73,7 (2,9")	7.26	25.4	7.92	5.58	2,27 - 2,73	19.3
P1250.025-300	6,35 (1/4")	76,2 (3")	7.26	25.4	7.92	5.58	2,27 - 2,73	19.3
P1250.025-310	6,35 (1/4")	78,7 (3,1")	7.26	25.4	7.92	5.58	2,27 - 2,73	19.3
P1250.025-330	6,35 (1/4")	83,8 (3,3")	7.26	25.4	7.92	5.58	2,27 - 2,73	19.3
P1250.025-350	6,35 (1/4")	88,9 (3,5")	7.26	25.4	7.92	5.58	2,27 - 2,73	19.3
P1250.025-370	6,35 (1/4")	94,0 (3,7")	7.26	25.4	7.92	5.58	2,27 - 2,73	19.3
P1250.025-390	6,35 (1/4")	99,1 (3,9")	7.26	25.4	7.92	5.58	2,27 - 2,73	19.3
P1250.025-400	6,35 (1/4")	101,6 (4")	7.26	25.4	7.92	5.58	2,27 - 2,73	19.3
P1250.031-050	7,93 (5/16")	12,7 (0,5")	9.09	25.4	9.52	6.35	2,72 - 2,73	30.0
P1250.031-070	7,93 (5/16")	17,8 (0,7")	9.09	25.4	9.52	6.35	2,72 - 2,73	30.0
P1250.031-090	7,93 (5/16")	22,9 (0,9")	9.09	25.4	9.52	6.35	2,72 - 2,73	30.0
P1250.031-100	7,93 (5/16")	25,4 (1")	9.09	25.4	9.52	6.35	2,72 - 2,73	30.0
P1250.031-110	7,93 (5/16")	27,9 (1,1")	9.09	25.4	9.52	6.35	2,72 - 2,73	30.0
P1250.031-130	7,93 (5/16")	33,0 (1,3")	9.09	25.4	9.52	6.35	2,72 - 2,73	30.0
P1250.031-150	7,93 (5/16")	38,1 (1,5")	9.09	25.4	9.52	6.35	2,72 - 2,73	30.0
P1250.031-170	7,93 (5/16")	43,2 (1,7")	9.09	25.4	9.52	6.35	2,72 - 2,73	30.0
P1250.031-190	7,93 (5/16")	48,3 (1,9")	9.09	25.4	9.52	6.35	2,72 - 2,73	30.0
P1250.031-210	7,93 (5/16")	53,3 (2,1")	9.09	25.4	9.52	6.35	2,72 - 2,73	30.0
P1250.031-230	7,93 (5/16")	58,4 (2,3")	9.09	25.4	9.52	6.35	2,72 - 2,73	30.0
P1250.031-240	7,93 (5/16")	61,0 (2,4")	9.09	25.4	9.52	6.35	2,72 - 2,73	30.0
P1250.031-250	7,93 (5/16")	63,5 (2,5")	9.09	25.4	9.52	6.35	2,72 - 2,73	30.0
P1250.031-270	7,93 (5/16")	68,6 (2,7")	9.09	25.4	9.52	6.35	2,72 - 2,73	30.0
P1250.031-290	7,93 (5/16")	73,7 (2,9")	9.09	25.4	9.52	6.35	2,72 - 2,73	30.0
P1250.031-310	7,93 (5/16")	78,8 (3,1")	9.09	25.4	9.52	6.35	2,72 - 2,73	30.0
P1250.031-330	7,93 (5/16")	83,9 (3,3")	9.09	25.4	9.52	6.35	2,72 - 2,73	30.0
P1250.031-350	7,93 (5/16")	88,9 (3,5")	9.09	25.4	9.52	6.35	2,72 - 2,73	30.0
P1250.031-370	7,93 (5/16")	94,0 (3,7")	9.09	25.4	9.52	6.35	2,72 - 2,73	30.0
P1250.031-390	7,93 (5/16")	99,1 (3,9")	9.09	25.4	9.52	6.35	2,72 - 2,73	30.0
P1250.031-410	7,93 (5/16")	104,1 (4,1")	9.09	25.4	9.52	6.35	2,72 - 2,73	30.0
P1250.031-430	7,93 (5/16")	109,2 (4,3")	9.09	25.4	9.52	6.35	2,72 - 2,73	30.0
P1250.031-450	7,93 (5/16")	114,3 (4,5")	9.09	25.4	9.52	6.35	2,72 - 2,73	30.0
P1250.031-470	7,93 (5/16")	119,4 (4,7")	9.09	25.4	9.52	6.35	2,72 - 2,73	30.0
P1250.031-490	7,93 (5/16")	124,5 (4,9")	9.09	25.4	9.52	6.35	2,72 - 2,73	30.0
P1250.031-500	7,93 (5/16")	127,0 (5")	9.09	25.4	9.52	6.35	2,72 - 2,73	30.0
P1250.037-050	9,52 (3/8")	12,7 (0,5")	10.8	25.4	12.7	6.35	3,63 - 4,54	43.3
P1250.037-070	9,52 (3/8")	17,8 (0,7")	10.8	25.4	12.7	6.35	3,63 - 4,54	43.3
P1250.037-090	9,52 (3/8")	22,9 (0,9")	10.8	25.4	12.7	6.35	3,63 - 4,54	43.3
P1250.037-100	9,52 (3/8")	25,4 (1")	10.8	25.4	12.7	6.35	3,63 - 4,54	43.3
P1250.037-110	9,52 (3/8")	27,9 (1,1")	10.8	25.4	12.7	6.35	3,63 - 4,54	43.3
P1250.037-130	9,52 (3/8")	33,0 (1,3")	10.8	25.4	12.7	6.35	3,63 - 4,54	43.3
P1250.037-150	9,52 (3/8")	38,1 (1,5")	10.8	25.4	12.7	6.35	3,63 - 4,54	43.3
P1250.037-170	9,52 (3/8")	43,2 (1,7")	10.8	25.4	12.7	6.35	3,63 - 4,54	43.3
P1250.037-190	9,52 (3/8")	48,3 (1,9")	10.8	25.4	12.7	6.35	3,63 - 4,54	43.3
P1250.037-200	9,52 (3/8")	50,8 (2")	10.8	25.4	12.7	6.35	3,63 - 4,54	43.3
P1250.037-210	9,52 (3/8")	53,3 (2,1")	10.8	25.4	12.7	6.35	3,63 - 4,54	43.3
P1250.037-230	9,52 (3/8")	58,4 (2,3")	10.8	25.4	12.7	6.35	3,63 - 4,54	43.3
P1250.037-250	9,52 (3/8")	63,5 (2,5")	10.8	25.4	12.7	6.35	3,63 - 4,54	43.3
P1250.037-270	9,52 (3/8")	68,6 (2,7")	10.8	25.4	12.7	6.35	3,63 - 4,54	43.3
P1250.037-290	9,52 (3/8")	73,7 (2,9")	10.8	25.4	12.7	6.35	3,63 - 4,54	43.3
P1250.037-310	9,52 (3/8")	78,7 (3,1")	10.8	25.4	12.7	6.35	3,63 - 4,54	43.3
P1250.037-330	9,52 (3/8")	83,8 (3,3")	10.8	25.4	12.7	6.35	3,63 - 4,54	43.3
P1250.037-340	9,52 (3/8")	86,4 (3,4")	10.8	25.4	12.7	6.35	3,63 - 4,54	43.3
P1250.037-350	9,52 (3/8")	88,9 (3,5")	10.8	25.4	12.7	6.35	3,63 - 4,54	43.3
P1250.037-370	9,52 (3/8")	94,0 (3,7")	10.8	25.4	12.7	6.35	3,63 - 4,54	43.3
P1250.037-390	9,52 (3/8")	99,1 (3,9")	10.8	25.4	12.7	6.35	3,63 - 4,54	43.3
P1250.037-410	9,52 (3/8")	104,1 (4,1")	10.8	25.4	12.7	6.35	3,63 - 4,54	43.3
P1250.037-430	9,52 (3/8")	109,2 (4,3")	10.8	25.4	12.7	6.35	3,63 - 4,54	43.3
P1250.037-440	9,52 (3/8")	111,8 (4,4")	10.8	25.4	12.7	6.35	3,63 - 4,54	43.3
P1250.037-450	9,52 (3/8")	114,3 (4,5")	10.8	25.4	12.7	6.35	3,63 - 4,54	43.3



Detent Pin Steel



Other Pins

Order No.	d ₁ +0.00 -0.08	l ₁ grip +1.50 -0.00	d ₂	d ₃	l ₂	l ₃	Pull out strength kg	Single shear strength kN min.
P1250.037-470	9,52 (3/8")	119,4 (4,7")	10,8	25,4	12,7	6,35	3,63 - 4,54	43,3
P1250.037-490	9,52 (3/8")	124,5 (4,9")	10,8	25,4	12,7	6,35	3,63 - 4,54	43,3
P1250.037-510	9,52 (3/8")	129,5 (5,1")	10,8	25,4	12,7	6,35	3,63 - 4,54	43,3
P1250.037-530	9,52 (3/8")	134,6 (5,3")	10,8	25,4	12,7	6,35	3,63 - 4,54	43,3
P1250.037-550	9,52 (3/8")	139,7 (5,5")	10,8	25,4	12,7	6,35	3,63 - 4,54	43,3
P1250.037-570	9,52 (3/8")	144,8 (5,7")	10,8	25,4	12,7	6,35	3,63 - 4,54	43,3
P1250.037-590	9,52 (3/8")	149,9 (5,9")	10,8	25,4	12,7	6,35	3,63 - 4,54	43,3
P1250.043-050	11,1 (7/16")	12,7 (0,5")	12,5	25,4	14,2	6,35	4,09 - 5,45	58,9
P1250.043-070	11,1 (7/16")	17,8 (0,7")	12,5	25,4	14,2	6,35	4,09 - 5,45	58,9
P1250.043-090	11,1 (7/16")	22,9 (0,9")	12,5	25,4	14,2	6,35	4,09 - 5,45	58,9
P1250.043-110	11,1 (7/16")	28,0 (1,1")	12,5	25,4	14,2	6,35	4,09 - 5,45	58,9
P1250.043-130	11,1 (7/16")	33,0 (1,3")	12,5	25,4	14,2	6,35	4,09 - 5,45	58,9
P1250.043-150	11,1 (7/16")	38,1 (1,5")	12,5	25,4	14,2	6,35	4,09 - 5,45	58,9
P1250.043-170	11,1 (7/16")	43,2 (1,7")	12,5	25,4	14,2	6,35	4,09 - 5,45	58,9
P1250.043-190	11,1 (7/16")	48,3 (1,9")	12,5	25,4	14,2	6,35	4,09 - 5,45	58,9
P1250.043-200	11,1 (7/16")	50,8 (2")	12,5	25,4	14,2	6,35	4,09 - 5,45	58,9
P1250.043-210	11,1 (7/16")	53,3 (2,1")	12,5	25,4	14,2	6,35	4,09 - 5,45	58,9
P1250.043-230	11,1 (7/16")	58,4 (2,3")	12,5	25,4	14,2	6,35	4,09 - 5,45	58,9
P1250.043-250	11,1 (7/16")	63,5 (2,5")	12,5	25,4	14,2	6,35	4,09 - 5,45	58,9
P1250.043-270	11,1 (7/16")	68,6 (2,7")	12,5	25,4	14,2	6,35	4,09 - 5,45	58,9
P1250.043-290	11,1 (7/16")	73,7 (2,9")	12,5	25,4	14,2	6,35	4,09 - 5,45	58,9
P1250.043-310	11,1 (7/16")	78,7 (3,1")	12,5	25,4	14,2	6,35	4,09 - 5,45	58,9
P1250.043-330	11,1 (7/16")	83,8 (3,3")	12,5	25,4	14,2	6,35	4,09 - 5,45	58,9
P1250.043-350	11,1 (7/16")	89,0 (3,5")	12,5	25,4	14,2	6,35	4,09 - 5,45	58,9
P1250.043-370	11,1 (7/16")	94,0 (3,7")	12,5	25,4	14,2	6,35	4,09 - 5,45	58,9
P1250.043-390	11,1 (7/16")	99,1 (3,9")	12,5	25,4	14,2	6,35	4,09 - 5,45	58,9
P1250.043-410	11,1 (7/16")	104,1 (4,1")	12,5	25,4	14,2	6,35	4,09 - 5,45	58,9
P1250.043-430	11,1 (7/16")	109,2 (4,3")	12,5	25,4	14,2	6,35	4,09 - 5,45	58,9
P1250.043-450	11,1 (7/16")	114,3 (4,5")	12,5	25,4	14,2	6,35	4,09 - 5,45	58,9
P1250.043-470	11,1 (7/16")	119,4 (4,7")	12,5	25,4	14,2	6,35	4,09 - 5,45	58,9
P1250.043-490	11,1 (7/16")	124,5 (4,9")	12,5	25,4	14,2	6,35	4,09 - 5,45	58,9
P1250.043-510	11,1 (7/16")	129,5 (5,1")	12,5	25,4	14,2	6,35	4,09 - 5,45	58,9
P1250.043-530	11,1 (7/16")	134,6 (5,3")	12,5	25,4	14,2	6,35	4,09 - 5,45	58,9
P1250.043-550	11,1 (7/16")	139,7 (5,5")	12,5	25,4	14,2	6,35	4,09 - 5,45	58,9
P1250.043-570	11,1 (7/16")	144,8 (5,7")	12,5	25,4	14,2	6,35	4,09 - 5,45	58,9
P1250.043-590	11,1 (7/16")	149,9 (5,9")	12,5	25,4	14,2	6,35	4,09 - 5,45	58,9
P1250.050-050	12,7 (1/2")	12,7 (0,5")	14,4	31,7	15,8	7,92	4,54 - 5,45	77,0
P1250.050-070	12,7 (1/2")	17,8 (0,7")	14,4	31,7	15,8	7,92	4,54 - 5,45	77,0
P1250.050-090	12,7 (1/2")	22,9 (0,9")	14,4	31,7	15,8	7,92	4,54 - 5,45	77,0
P1250.050-100	12,7 (1/2")	25,4 (1")	14,4	31,7	15,8	7,92	4,54 - 5,45	77,0
P1250.050-110	12,7 (1/2")	27,9 (1,1")	14,4	31,7	15,8	7,92	4,54 - 5,45	77,0
P1250.050-130	12,7 (1/2")	33,0 (1,3")	14,4	31,7	15,8	7,92	4,54 - 5,45	77,0
P1250.050-150	12,7 (1/2")	38,1 (1,5")	14,4	31,7	15,8	7,92	4,54 - 5,45	77,0
P1250.050-170	12,7 (1/2")	43,2 (1,7")	14,4	31,7	15,8	7,92	4,54 - 5,45	77,0
P1250.050-190	12,7 (1/2")	48,3 (1,9")	14,4	31,7	15,8	7,92	4,54 - 5,45	77,0
P1250.050-200	12,7 (1/2")	50,8 (2")	14,4	31,7	15,8	7,92	4,54 - 5,45	77,0
P1250.050-210	12,7 (1/2")	53,3 (2,1")	14,4	31,7	15,8	7,92	4,54 - 5,45	77,0
P1250.050-230	12,7 (1/2")	58,4 (2,3")	14,4	31,7	15,8	7,92	4,54 - 5,45	77,0
P1250.050-250	12,7 (1/2")	63,5 (2,5")	14,4	31,7	15,8	7,92	4,54 - 5,45	77,0
P1250.050-270	12,7 (1/2")	68,6 (2,7")	14,4	31,7	15,8	7,92	4,54 - 5,45	77,0
P1250.050-290	12,7 (1/2")	73,7 (2,9")	14,4	31,7	15,8	7,92	4,54 - 5,45	77,0
P1250.050-300	12,7 (1/2")	76,2 (3")	14,4	31,7	15,8	7,92	4,54 - 5,45	77,0
P1250.050-310	12,7 (1/2")	78,7 (3,1")	14,4	31,7	15,8	7,92	4,54 - 5,45	77,0
P1250.050-330	12,7 (1/2")	83,8 (3,3")	14,4	31,7	15,8	7,92	4,54 - 5,45	77,0
P1250.050-350	12,7 (1/2")	88,9 (3,5")	14,4	31,7	15,8	7,92	4,54 - 5,45	77,0
P1250.050-370	12,7 (1/2")	94,0 (3,7")	14,4	31,7	15,8	7,92	4,54 - 5,45	77,0
P1250.050-390	12,7 (1/2")	99,1 (3,9")	14,4	31,7	15,8	7,92	4,54 - 5,45	77,0
P1250.050-410	12,7 (1/2")	104,1 (4,1")	14,4	31,7	15,8	7,92	4,54 - 5,45	77,0
P1250.050-430	12,7 (1/2")	109,2 (4,3")	14,4	31,7	15,8	7,92	4,54 - 5,45	77,0
P1250.050-450	12,7 (1/2")	114,3 (4,5")	14,4	31,7	15,8	7,92	4,54 - 5,45	77,0
P1250.050-470	12,7 (1/2")	119,4 (4,7")	14,4	31,7	15,8	7,92	4,54 - 5,45	77,0
P1250.050-490	12,7 (1/2")	124,5 (4,9")	14,4	31,7	15,8	7,92	4,54 - 5,45	77,0
P1250.050-510	12,7 (1/2")	129,5 (5,1")	14,4	31,7	15,8	7,92	4,54 - 5,45	77,0
P1250.050-530	12,7 (1/2")	134,6 (5,3")	14,4	31,7	15,8	7,92	4,54 - 5,45	77,0
P1250.050-550	12,7 (1/2")	139,7 (5,5")	14,4	31,7	15,8	7,92	4,54 - 5,45	77,0
P1250.050-570	12,7 (1/2")	144,8 (5,7")	14,4	31,7	15,8	7,92	4,54 - 5,45	77,0
P1250.050-590	12,7 (1/2")	149,9 (5,9")	14,4	31,7	15,8	7,92	4,54 - 5,45	77,0

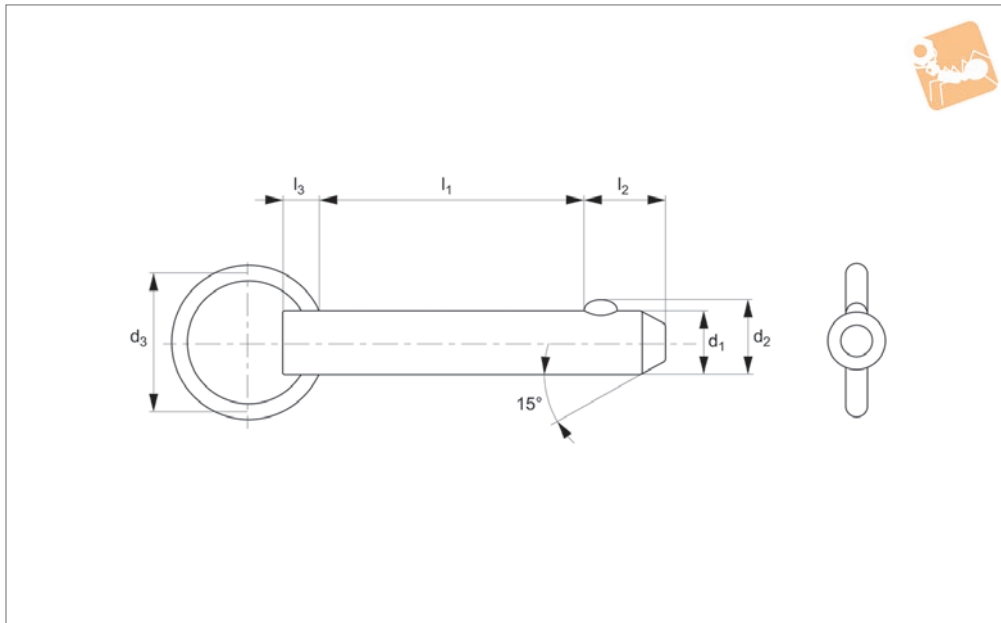
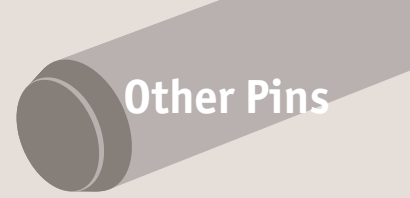
OTHER PINS



Order No.	d_1 +0.00 -0.08	l_1 grip +1.50 -0.00	d_2	d_3	l_2	l_3	Pull out strength kg	Single shear strength kN min.
P1250.050-610	12,7 (1/2")	154,9 (6,1")	14.4	31.7	15.8	7.92	4,54 - 5,45	77.0
P1250.050-630	12,7 (1/2")	160,0 (6,3")	14.4	31.7	15.8	7.92	4,54 - 5,45	77.0
P1250.050-650	12,7 (1/2")	165,1 (6,5")	14.4	31.7	15.8	7.92	4,54 - 5,45	77.0
P1250.050-670	12,7 (1/2")	170,2 (6,7")	14.4	31.7	15.8	7.92	4,54 - 5,45	77.0
P1250.050-690	12,7 (1/2")	175,3 (6,9")	14.4	31.7	15.8	7.92	4,54 - 5,45	77.0



Detent Pin Steel



P1250.2

OTHER PINS

Material

Shaft: Carbon steel (C1144), zinc plated.
Ball & spring: Stainless steel AISI 316.

Technical Notes

Detent pins are very economical for use in commercial and military equipment. The solid body with direct spring loaded

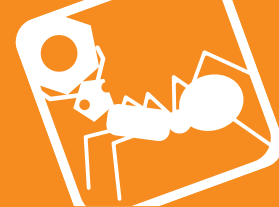
ball ensures reliable operation. Can be used for locking telescopic tubing, securing bracket assemblies, as anchor clevis fittings, hinge pins and as replacement for cotter pins where frequent removal is necessary. Hole sizes - commercial drills provide clear-

ance for our standard pins. Inch dimensions in brackets ().

Tips

Also available in stainless steel see part no. P1252.2

Order No.	d ₁ +0.00 -0.08	l ₁ grip +1.50 -0.00	d ₂	d ₃	l ₂	l ₃	Pull out strength kg	Single shear strength kN min.
P1250.056-100	14,2 (9/16")	25,4 (1")	16.3	31.7	17.4	7.92	5,45 - 6,81	97.6
P1250.056-120	14,2 (9/16")	30,5 (1,2")	16.3	31.7	17.4	7.92	5,45 - 6,81	97.6
P1250.056-140	14,2 (9/16")	35,6 (1,4")	16.3	31.7	17.4	7.92	5,45 - 6,81	97.6
P1250.056-160	14,2 (9/16")	40,6 (1,6")	16.3	31.7	17.4	7.92	5,45 - 6,81	97.6
P1250.056-180	14,2 (9/16")	45,7 (1,8")	16.3	31.7	17.4	7.92	5,45 - 6,81	97.6
P1250.056-200	14,2 (9/16")	50,8 (2")	16.3	31.7	17.4	7.92	5,45 - 6,81	97.6
P1250.056-220	14,2 (9/16")	55,9 (2,2")	16.3	31.7	17.4	7.92	5,45 - 6,81	97.6
P1250.056-240	14,2 (9/16")	61,0 (2,4")	16.3	31.7	17.4	7.92	5,45 - 6,81	97.6
P1250.056-260	14,2 (9/16")	66,0 (2,6")	16.3	31.7	17.4	7.92	5,45 - 6,81	97.6
P1250.056-280	14,2 (9/16")	71,1 (2,8")	16.3	31.7	17.4	7.92	5,45 - 6,81	97.6
P1250.056-300	14,2 (9/16")	76,2 (3")	16.3	31.7	17.4	7.92	5,45 - 6,81	97.6
P1250.056-320	14,2 (9/16")	81,3 (3,2")	16.3	31.7	17.4	7.92	5,45 - 6,81	97.6
P1250.056-340	14,2 (9/16")	86,4 (3,4")	16.3	31.7	17.4	7.92	5,45 - 6,81	97.6
P1250.056-360	14,2 (9/16")	91,4 (3,6")	16.3	31.7	17.4	7.92	5,45 - 6,81	97.6
P1250.056-380	14,2 (9/16")	96,5 (3,8")	16.3	31.7	17.4	7.92	5,45 - 6,81	97.6
P1250.056-400	14,2 (9/16")	101,6 (4")	16.3	31.7	17.4	7.92	5,45 - 6,81	97.6
P1250.056-420	14,2 (9/16")	106,7 (4,2")	16.3	31.7	17.4	7.92	5,45 - 6,81	97.6
P1250.056-440	14,2 (9/16")	111,8 (4,4")	16.3	31.7	17.4	7.92	5,45 - 6,81	97.6
P1250.056-460	14,2 (9/16")	116,8 (4,6")	16.3	31.7	17.4	7.92	5,45 - 6,81	97.6
P1250.056-480	14,2 (9/16")	121,9 (4,8")	16.3	31.7	17.4	7.92	5,45 - 6,81	97.6
P1250.056-500	14,2 (9/16")	127,0 (5")	16.3	31.7	17.4	7.92	5,45 - 6,81	97.6
P1250.056-520	14,2 (9/16")	132,1 (5,2")	16.3	31.7	17.4	7.92	5,45 - 6,81	97.6
P1250.056-540	14,2 (9/16")	137,2 (5,4")	16.3	31.7	17.4	7.92	5,45 - 6,81	97.6
P1250.056-560	14,2 (9/16")	142,2 (5,6")	16.3	31.7	17.4	7.92	5,45 - 6,81	97.6
P1250.056-580	14,2 (9/16")	147,3 (5,8")	16.3	31.7	17.4	7.92	5,45 - 6,81	97.6
P1250.056-600	14,2 (9/16")	152,4 (6")	16.3	31.7	17.4	7.92	5,45 - 6,81	97.6
P1250.056-620	14,2 (9/16")	157,5 (6,2")	16.3	31.7	17.4	7.92	5,45 - 6,81	97.6
P1250.056-640	14,2 (9/16")	162,6 (6,4")	16.3	31.7	17.4	7.92	5,45 - 6,81	97.6
P1250.056-660	14,2 (9/16")	167,6 (6,6")	16.3	31.7	17.4	7.92	5,45 - 6,81	97.6



OTHER PINS

Order No.	d ₁ +0.00 -0.08	l ₁ grip +1.50 -0.00	d ₂	d ₃	l ₂	l ₃	Pull out strength kg	Single shear strength kN min.
P1250.056-680	14,2 (9/16")	172,7 (6,8")	16.3	31.7	17.4	7.92	5,45 - 6,81	97.6
P1250.056-700	14,2 (9/16")	177,8 (7")	16.3	31.7	17.4	7.92	5,45 - 6,81	97.6
P1250.062-110	15,8 (5/8")	27,9 (1,1")	18.0	31.7	19.0	9.52	3,36 - 7,26	121.6
P1250.062-130	15,8 (5/8")	33,0 (1,3")	18.0	31.7	19.0	9.52	3,36 - 7,26	121.6
P1250.062-150	15,8 (5/8")	38,1 (1,5")	18.0	31.7	19.0	9.52	3,36 - 7,26	121.6
P1250.062-160	15,8 (5/8")	40,6 (1,6")	18.0	31.7	19.0	9.52	3,36 - 7,26	121.6
P1250.062-170	15,8 (5/8")	43,2 (1,7")	18.0	31.7	19.0	9.52	3,36 - 7,26	121.6
P1250.062-190	15,8 (5/8")	48,3 (1,9")	18.0	31.7	19.0	9.52	3,36 - 7,26	121.6
P1250.062-210	15,8 (5/8")	53,3 (2,1")	18.0	31.7	19.0	9.52	3,36 - 7,26	121.6
P1250.062-230	15,8 (5/8")	58,4 (2,3")	18.0	31.7	19.0	9.52	3,36 - 7,26	121.6
P1250.062-250	15,8 (5/8")	63,5 (2,5")	18.0	31.7	19.0	9.52	3,36 - 7,26	121.6
P1250.062-270	15,8 (5/8")	68,6 (2,7")	18.0	31.7	19.0	9.52	3,36 - 7,26	121.6
P1250.062-290	15,8 (5/8")	73,7 (2,9")	18.0	31.7	19.0	9.52	3,36 - 7,26	121.6
P1250.062-310	15,8 (5/8")	78,7 (3,1")	18.0	31.7	19.0	9.52	3,36 - 7,26	121.6
P1250.062-330	15,8 (5/8")	83,8 (3,3")	18.0	31.7	19.0	9.52	3,36 - 7,26	121.6
P1250.062-350	15,8 (5/8")	88,9 (3,5")	18.0	31.7	19.0	9.52	3,36 - 7,26	121.6
P1250.062-370	15,8 (5/8")	94,0 (3,7")	18.0	31.7	19.0	9.52	3,36 - 7,26	121.6
P1250.062-390	15,8 (5/8")	99,1 (3,9")	18.0	31.7	19.0	9.52	3,36 - 7,26	121.6
P1250.062-410	15,8 (5/8")	104,1 (4,1")	18.0	31.7	19.0	9.52	3,36 - 7,26	121.6
P1250.062-430	15,8 (5/8")	109,2 (4,3")	18.0	31.7	19.0	9.52	3,36 - 7,26	121.6
P1250.062-450	15,8 (5/8")	114,3 (4,5")	18.0	31.7	19.0	9.52	3,36 - 7,26	121.6
P1250.062-470	15,8 (5/8")	119,4 (4,7")	18.0	31.7	19.0	9.52	3,36 - 7,26	121.6
P1250.062-490	15,8 (5/8")	124,5 (4,9")	18.0	31.7	19.0	9.52	3,36 - 7,26	121.6
P1250.062-510	15,8 (5/8")	129,5 (5,1")	18.0	31.7	19.0	9.52	3,36 - 7,26	121.6
P1250.062-530	15,8 (5/8")	134,6 (5,3")	18.0	31.7	19.0	9.52	3,36 - 7,26	121.6
P1250.062-550	15,8 (5/8")	139,7 (5,5")	18.0	31.7	19.0	9.52	3,36 - 7,26	121.6
P1250.062-570	15,8 (5/8")	144,8 (5,7")	18.0	31.7	19.0	9.52	3,36 - 7,26	121.6
P1250.062-590	15,8 (5/8")	149,9 (5,9")	18.0	31.7	19.0	9.52	3,36 - 7,26	121.6
P1250.062-610	15,8 (5/8")	154,9 (6,1")	18.0	31.7	19.0	9.52	3,36 - 7,26	121.6
P1250.062-630	15,8 (5/8")	160,0 (6,3")	18.0	31.7	19.0	9.52	3,36 - 7,26	121.6
P1250.062-650	15,8 (5/8")	165,1 (6,5")	18.0	31.7	19.0	9.52	3,36 - 7,26	121.6
P1250.062-670	15,8 (5/8")	170,2 (6,7")	18.0	31.7	19.0	9.52	3,36 - 7,26	121.6
P1250.062-690	15,8 (5/8")	175,3 (6,9")	18.0	31.7	19.0	9.52	3,36 - 7,26	121.6
P1250.062-710	15,8 (5/8")	180,3 (7,1")	18.0	31.7	19.0	9.52	3,36 - 7,26	121.6
P1250.062-730	15,8 (5/8")	185,4 (7,3")	18.0	31.7	19.0	9.52	3,36 - 7,26	121.6
P1250.062-750	15,8 (5/8")	190,5 (7,5")	18.0	31.7	19.0	9.52	3,36 - 7,26	121.6
P1250.062-770	15,8 (5/8")	195,6 (7,7")	18.0	31.7	19.0	9.52	3,36 - 7,26	121.6
P1250.062-790	15,8 (5/8")	200,7 (7,9")	18.0	31.7	19.0	9.52	3,36 - 7,26	121.6
P1250.075-100	19,0 (3/4")	25,4 (1")	21.7	38.1	23.7	9.52	8,17 - 9,98	173.6
P1250.075-120	19,0 (3/4")	30,5 (1,2")	21.7	38.1	23.7	9.52	8,17 - 9,98	173.6
P1250.075-140	19,0 (3/4")	35,6 (1,4")	21.7	38.1	23.7	9.52	8,17 - 9,98	173.6
P1250.075-160	19,0 (3/4")	40,6 (1,6")	21.7	38.1	23.7	9.52	8,17 - 9,98	173.6
P1250.075-180	19,0 (3/4")	45,7 (1,8")	21.7	38.1	23.7	9.52	8,17 - 9,98	173.6
P1250.075-200	19,0 (3/4")	50,8 (2")	21.7	38.1	23.7	9.52	8,17 - 9,98	173.6
P1250.075-220	19,0 (3/4")	55,9 (2,2")	21.7	38.1	23.7	9.52	8,17 - 9,98	173.6
P1250.075-240	19,0 (3/4")	61,0 (2,4")	21.7	38.1	23.7	9.52	8,17 - 9,98	173.6
P1250.075-260	19,0 (3/4")	66,0 (2,6")	21.7	38.1	23.7	9.52	8,17 - 9,98	173.6
P1250.075-280	19,0 (3/4")	71,1 (2,8")	21.7	38.1	23.7	9.52	8,17 - 9,98	173.6
P1250.075-300	19,0 (3/4")	76,2 (3")	21.7	38.1	23.7	9.52	8,17 - 9,98	173.6
P1250.075-320	19,0 (3/4")	81,3 (3,2")	21.7	38.1	23.7	9.52	8,17 - 9,98	173.6
P1250.075-340	19,0 (3/4")	86,4 (3,4")	21.7	38.1	23.7	9.52	8,17 - 9,98	173.6
P1250.075-360	19,0 (3/4")	91,4 (3,6")	21.7	38.1	23.7	9.52	8,17 - 9,98	173.6
P1250.075-380	19,0 (3/4")	96,5 (3,8")	21.7	38.1	23.7	9.52	8,17 - 9,98	173.6
P1250.075-400	19,0 (3/4")	101,6 (4")	21.7	38.1	23.7	9.52	8,17 - 9,98	173.6
P1250.075-420	19,0 (3/4")	106,7 (4,2")	21.7	38.1	23.7	9.52	8,17 - 9,98	173.6
P1250.075-440	19,0 (3/4")	111,8 (4,4")	21.7	38.1	23.7	9.52	8,17 - 9,98	173.6
P1250.075-460	19,0 (3/4")	116,8 (4,6")	21.7	38.1	23.7	9.52	8,17 - 9,98	173.6
P1250.075-480	19,0 (3/4")	121,9 (4,8")	21.7	38.1	23.7	9.52	8,17 - 9,98	173.6
P1250.075-500	19,0 (3/4")	127,0 (5")	21.7	38.1	23.7	9.52	8,17 - 9,98	173.6
P1250.075-520	19,0 (3/4")	132,1 (5,2")	21.7	38.1	23.7	9.52	8,17 - 9,98	173.6
P1250.075-540	19,0 (3/4")	137,2 (5,4")	21.7	38.1	23.7	9.52	8,17 - 9,98	173.6
P1250.075-560	19,0 (3/4")	142,2 (5,6")	21.7	38.1	23.7	9.52	8,17 - 9,98	173.6
P1250.075-580	19,0 (3/4")	147,3 (5,8")	21.7	38.1	23.7	9.52	8,17 - 9,98	173.6
P1250.075-600	19,0 (3/4")	152,4 (6")	21.7	38.1	23.7	9.52	8,17 - 9,98	173.6
P1250.075-620	19,0 (3/4")	157,5 (6,2")	21.7	38.1	23.7	9.52	8,17 - 9,98	173.6
P1250.075-640	19,0 (3/4")	162,6 (6,4")	21.7	38.1	23.7	9.52	8,17 - 9,98	173.6
P1250.075-660	19,0 (3/4")	167,6 (6,6")	21.7	38.1	23.7	9.52	8,17 - 9,98	173.6



Detent Pin Steel



Other Pins

Order No.	d ₁ +0.00 -0.08	l ₁ grip +1.50 -0.00	d ₂	d ₃	l ₂	l ₃	Pull out strength kg	Single shear strength kN min.
P1250.075-680	19,0 (3/4")	172,7 (6,8")	21.7	38.1	23.7	9.52	8,17 - 9,98	173.6
P1250.075-700	19,0 (3/4")	177,8 (7")	21.7	38.1	23.7	9.52	8,17 - 9,98	173.6
P1250.075-720	19,0 (3/4")	182,9 (7,2")	21.7	38.1	23.7	9.52	8,17 - 9,98	173.6
P1250.075-740	19,0 (3/4")	188,0 (7,4")	21.7	38.1	23.7	9.52	8,17 - 9,98	173.6
P1250.075-760	19,0 (3/4")	193,0 (7,6")	21.7	38.1	23.7	9.52	8,17 - 9,98	173.6
P1250.075-780	19,0 (3/4")	198,1 (7,8")	21.7	38.1	23.7	9.52	8,17 - 9,98	173.6
P1250.075-800	19,0 (3/4")	203,2 (8")	21.7	38.1	23.7	9.52	8,17 - 9,98	173.6
P1250.087-110	22,2 (7/8")	27,9 (1,1")	25.2	38.1	25.4	12.7	12,71 - 14,07	239.4
P1250.087-130	22,2 (7/8")	33,0 (1,3")	25.2	38.1	25.4	12.7	12,71 - 14,07	239.4
P1250.087-150	22,2 (7/8")	38,1 (1,5")	25.2	38.1	25.4	12.7	12,71 - 14,07	239.4
P1250.087-170	22,2 (7/8")	43,2 (1,7")	25.2	38.1	25.4	12.7	12,71 - 14,07	239.4
P1250.087-190	22,2 (7/8")	48,3 (1,9")	25.2	38.1	25.4	12.7	12,71 - 14,07	239.4
P1250.087-210	22,2 (7/8")	53,3 (2,1")	25.2	38.1	25.4	12.7	12,71 - 14,07	239.4
P1250.087-230	22,2 (7/8")	58,4 (2,3")	25.2	38.1	25.4	12.7	12,71 - 14,07	239.4
P1250.087-250	22,2 (7/8")	63,5 (2,5")	25.2	38.1	25.4	12.7	12,71 - 14,07	239.4
P1250.087-270	22,2 (7/8")	68,6 (2,7")	25.2	38.1	25.4	12.7	12,71 - 14,07	239.4
P1250.087-290	22,2 (7/8")	73,7 (2,9")	25.2	38.1	25.4	12.7	12,71 - 14,07	239.4
P1250.087-310	22,2 (7/8")	78,7 (3,1")	25.2	38.1	25.4	12.7	12,71 - 14,07	239.4
P1250.087-330	22,2 (7/8")	83,8 (3,3")	25.2	38.1	25.4	12.7	12,71 - 14,07	239.4
P1250.087-350	22,2 (7/8")	88,9 (3,5")	25.2	38.1	25.4	12.7	12,71 - 14,07	239.4
P1250.087-370	22,2 (7/8")	94,0 (3,7")	25.2	38.1	25.4	12.7	12,71 - 14,07	239.4
P1250.087-390	22,2 (7/8")	99,1 (3,9")	25.2	38.1	25.4	12.7	12,71 - 14,07	239.4
P1250.087-400	22,2 (7/8")	101,6 (4")	25.2	38.1	25.4	12.7	12,71 - 14,07	239.4
P1250.087-410	22,2 (7/8")	104,1 (4,1")	25.2	38.1	25.4	12.7	12,71 - 14,07	239.4
P1250.087-430	22,2 (7/8")	109,2 (4,3")	25.2	38.1	25.4	12.7	12,71 - 14,07	239.4
P1250.087-450	22,2 (7/8")	114,3 (4,5")	25.2	38.1	25.4	12.7	12,71 - 14,07	239.4
P1250.087-470	22,2 (7/8")	119,4 (4,7")	25.2	38.1	25.4	12.7	12,71 - 14,07	239.4
P1250.087-490	22,2 (7/8")	124,5 (4,9")	25.2	38.1	25.4	12.7	12,71 - 14,07	239.4
P1250.087-510	22,2 (7/8")	129,5 (5,1")	25.2	38.1	25.4	12.7	12,71 - 14,07	239.4
P1250.087-530	22,2 (7/8")	134,6 (5,3")	25.2	38.1	25.4	12.7	12,71 - 14,07	239.4
P1250.087-550	22,2 (7/8")	139,7 (5,5")	25.2	38.1	25.4	12.7	12,71 - 14,07	239.4
P1250.087-570	22,2 (7/8")	144,8 (5,7")	25.2	38.1	25.4	12.7	12,71 - 14,07	239.4
P1250.087-590	22,2 (7/8")	149,9 (5,9")	25.2	38.1	25.4	12.7	12,71 - 14,07	239.4
P1250.087-610	22,2 (7/8")	154,9 (6,1")	25.2	38.1	25.4	12.7	12,71 - 14,07	239.4
P1250.087-630	22,2 (7/8")	160,0 (6,3")	25.2	38.1	25.4	12.7	12,71 - 14,07	239.4
P1250.087-650	22,2 (7/8")	165,1 (6,5")	25.2	38.1	25.4	12.7	12,71 - 14,07	239.4
P1250.087-670	22,2 (7/8")	170,2 (6,7")	25.2	38.1	25.4	12.7	12,71 - 14,07	239.4
P1250.087-690	22,2 (7/8")	175,3 (6,9")	25.2	38.1	25.4	12.7	12,71 - 14,07	239.4
P1250.087-710	22,2 (7/8")	180,3 (7,1")	25.2	38.1	25.4	12.7	12,71 - 14,07	239.4
P1250.087-730	22,2 (7/8")	185,4 (7,3")	25.2	38.1	25.4	12.7	12,71 - 14,07	239.4
P1250.087-750	22,2 (7/8")	190,5 (7,5")	25.2	38.1	25.4	12.7	12,71 - 14,07	239.4
P1250.087-770	22,2 (7/8")	195,6 (7,7")	25.2	38.1	25.4	12.7	12,71 - 14,07	239.4
P1250.087-790	22,2 (7/8")	200,7 (7,9")	25.2	38.1	25.4	12.7	12,71 - 14,07	239.4
P1250.100-100	25,4 (1")	25,4 (1")	28.9	38.1	31.7	12.7	15,88 - 18-15	321.3
P1250.100-120	25,4 (1")	30,5 (1,2")	28.9	38.1	31.7	12.7	15,88 - 18-15	321.3
P1250.100-140	25,4 (1")	35,6 (1,4")	28.9	38.1	31.7	12.7	15,88 - 18-15	321.3
P1250.100-160	25,4 (1")	40,6 (1,6")	28.9	38.1	31.7	12.7	15,88 - 18-15	321.3
P1250.100-180	25,4 (1")	45,7 (1,8")	28.9	38.1	31.7	12.7	15,88 - 18-15	321.3
P1250.100-200	25,4 (1")	50,8 (2")	28.9	38.1	31.7	12.7	15,88 - 18-15	321.3
P1250.100-220	25,4 (1")	55,9 (2,2")	28.9	38.1	31.7	12.7	15,88 - 18-15	321.3
P1250.100-240	25,4 (1")	61,0 (2,4")	28.9	38.1	31.7	12.7	15,88 - 18-15	321.3
P1250.100-260	25,4 (1")	66,0 (2,6")	28.9	38.1	31.7	12.7	15,88 - 18-15	321.3
P1250.100-280	25,4 (1")	71,1 (2,8")	28.9	38.1	31.7	12.7	15,88 - 18-15	321.3
P1250.100-300	25,4 (1")	76,2 (3")	28.9	38.1	31.7	12.7	15,88 - 18-15	321.3
P1250.100-320	25,4 (1")	81,3 (3,2")	28.9	38.1	31.7	12.7	15,88 - 18-15	321.3
P1250.100-340	25,4 (1")	86,4 (3,4")	28.9	38.1	31.7	12.7	15,88 - 18-15	321.3
P1250.100-360	25,4 (1")	91,4 (3,6")	28.9	38.1	31.7	12.7	15,88 - 18-15	321.3
P1250.100-380	25,4 (1")	96,5 (3,8")	28.9	38.1	31.7	12.7	15,88 - 18-15	321.3
P1250.100-400	25,4 (1")	101,6 (4")	28.9	38.1	31.7	12.7	15,88 - 18-15	321.3
P1250.100-420	25,4 (1")	106,7 (4,2")	28.9	38.1	31.7	12.7	15,88 - 18-15	321.3
P1250.100-440	25,4 (1")	111,8 (4,4")	28.9	38.1	31.7	12.7	15,88 - 18-15	321.3
P1250.100-460	25,4 (1")	116,8 (4,6")	28.9	38.1	31.7	12.7	15,88 - 18-15	321.3
P1250.100-480	25,4 (1")	121,9 (4,8")	28.9	38.1	31.7	12.7	15,88 - 18-15	321.3
P1250.100-500	25,4 (1")	127,0 (5")	28.9	38.1	31.7	12.7	15,88 - 18-15	321.3
P1250.100-520	25,4 (1")	132,1 (5,2")	28.9	38.1	31.7	12.7	15,88 - 18-15	321.3
P1250.100-540	25,4 (1")	137,2 (5,4")	28.9	38.1	31.7	12.7	15,88 - 18-15	321.3
P1250.100-560	25,4 (1")	142,2 (5,6")	28.9	38.1	31.7	12.7	15,88 - 18-15	321.3

OTHER PINS



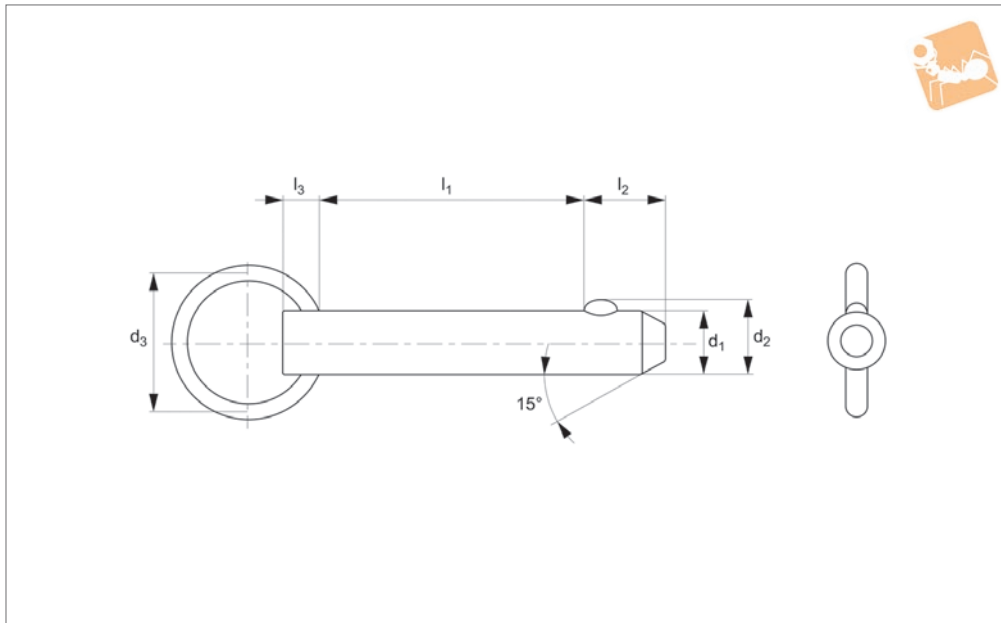
Order No.	d_1 +0.00 -0.08	l_1 grip +1.50 -0.00	d_2	d_3	l_2	l_3	Pull out strength kg	Single shear strength kN min.
P1250.100-580	25,4 (1")	147,3 (5,8")	28.9	38.1	31.7	12.7	15,88 - 18-15	321.3
P1250.100-600	25,4 (1")	152,4 (6")	28.9	38.1	31.7	12.7	15,88 - 18-15	321.3
P1250.100-620	25,4 (1")	157,5 (6,2")	28.9	38.1	31.7	12.7	15,88 - 18-15	321.3
P1250.100-640	25,4 (1")	162,6 (6,4")	28.9	38.1	31.7	12.7	15,88 - 18-15	321.3
P1250.100-660	25,4 (1")	167,6 (6,6")	28.9	38.1	31.7	12.7	15,88 - 18-15	321.3
P1250.100-680	25,4 (1")	172,7 (6,8")	28.9	38.1	31.7	12.7	15,88 - 18-15	321.3
P1250.100-700	25,4 (1")	177,8 (7")	28.9	38.1	31.7	12.7	15,88 - 18-15	321.3
P1250.100-720	25,4 (1")	182,9 (7,2")	28.9	38.1	31.7	12.7	15,88 - 18-15	321.3
P1250.100-740	25,4 (1")	188,0 (7,4")	28.9	38.1	31.7	12.7	15,88 - 18-15	321.3
P1250.100-760	25,4 (1")	193,0 (7,6")	28.9	38.1	31.7	12.7	15,88 - 18-15	321.3
P1250.100-780	25,4 (1")	198,1 (7,8")	28.9	38.1	31.7	12.7	15,88 - 18-15	321.3
P1250.100-800	25,4 (1")	203,2 (8")	28.9	38.1	31.7	12.7	15,88 - 18-15	321.3



Detent Pin Stainless Steel



Other Pins



P1252.1

OTHER PINS

Material

Shaft: Stainless steel, AISI 303.
Ball & Spring: Stainless steel, AISI 316.

Technical Notes

Detent pins are very economical for use in commercial and military equipment.

The solid body with direct spring loaded ball ensures reliable operation. For locking telescopic tubing, securing bracket assemblies, as anchor clevis fittings, hinge pins etc where frequent removal is necessary.

Hole sizes - commercial drills provide clearance for our standard pins. Inch dimensions in brackets ().

Tips

Also available on request in A4 (AISI 316) stainless steel, subject to min. quantity.

Order No.	d ₁ +0.00 -0.08	l ₁ grip +1.5 -0.0	d ₂	d ₃	l ₂	l ₃	Pull out strength kg	Single shear strength kN min.
P1252.018-040	4,76 (3/16")	10,2 (0,4")	5.18	25.4	5.08	4.74	1,9 - 2,3	12.2
P1252.018-050	4,76 (3/16")	12,7 (0,5")	5.18	25.4	5.08	4.74	1,9 - 2,3	12.2
P1252.018-070	4,76 (3/16")	17,8 (0,7")	5.18	25.4	5.08	4.74	1,9 - 2,3	12.2
P1252.018-080	4,76 (3/16")	20,3 (0,8")	5.18	25.4	5.08	4.74	1,9 - 2,3	12.2
P1252.018-090	4,76 (3/16")	22,9 (0,9")	5.18	25.4	5.08	4.74	1,9 - 2,3	12.2
P1252.018-100	4,76 (3/16")	25,4 (1")	5.18	25.4	5.08	4.74	1,9 - 2,3	12.2
P1252.018-110	4,76 (3/16")	27,9 (1,1")	5.18	25.4	5.08	4.74	1,9 - 2,3	12.2
P1252.018-120	4,76 (3/16")	30,5 (1,2")	5.18	25.4	5.08	4.74	1,9 - 2,3	12.2
P1252.018-130	4,76 (3/16")	33,0 (1,3")	5.18	25.4	5.08	4.74	1,9 - 2,3	12.2
P1252.018-140	4,76 (3/16")	35,6 (1,4")	5.18	25.4	5.08	4.74	1,9 - 2,3	12.2
P1252.018-150	4,76 (3/16")	38,1 (1,5")	5.18	25.4	5.08	4.74	1,9 - 2,3	12.2
P1252.018-160	4,76 (3/16")	40,6 (1,6")	5.18	25.4	5.08	4.74	1,9 - 2,3	12.2
P1252.018-170	4,76 (3/16")	43,2 (1,7")	5.18	25.4	5.08	4.74	1,9 - 2,3	12.2
P1252.018-180	4,76 (3/16")	45,7 (1,8")	5.18	25.4	5.08	4.74	1,9 - 2,3	12.2
P1252.018-190	4,76 (3/16")	48,2 (1,9")	5.18	25.4	5.08	4.74	1,9 - 2,3	12.2
P1252.018-200	4,76 (3/16")	50,8 (2")	5.18	25.4	5.08	4.74	1,9 - 2,3	12.2
P1252.018-210	4,76 (3/16")	53,3 (2,1")	5.18	25.4	5.08	4.74	1,9 - 2,3	12.2
P1252.018-220	4,76 (3/16")	55,9 (2,2")	5.18	25.4	5.08	4.74	1,9 - 2,3	12.2
P1252.018-230	4,76 (3/16")	58,4 (2,3")	5.18	25.4	5.08	4.74	1,9 - 2,3	12.2
P1252.018-240	4,76 (3/16")	61,0 (2,4")	5.18	25.4	5.08	4.74	1,9 - 2,3	12.2
P1252.018-250	4,76 (3/16")	63,5 (2,5")	5.18	25.4	5.08	4.74	1,9 - 2,3	12.2
P1252.018-260	4,76 (3/16")	66,04 (2,6")	5.18	25.4	5.08	4.74	1,9 - 2,3	12.2
P1252.018-270	4,76 (3/16")	68,6 (2,7")	5.18	25.4	5.08	4.74	1,9 - 2,3	12.2
P1252.018-280	4,76 (3/16")	71,1 (2,8")	5.18	25.4	5.08	4.74	1,9 - 2,3	12.2
P1252.018-290	4,76 (3/16")	73,7 (2,9")	5.18	25.4	5.08	4.74	1,9 - 2,3	12.2
P1252.018-300	4,76 (3/16")	76,2 (3")	5.18	25.4	5.08	4.74	1,9 - 2,3	12.2
P1252.018-310	4,76 (3/16")	78,7 (3,1")	5.18	25.4	5.08	4.74	1,9 - 2,3	12.2
P1252.018-320	4,76 (3/16")	81,3 (3,2")	5.18	25.4	5.08	4.74	1,9 - 2,3	12.2
P1252.018-330	4,76 (3/16")	83,8 (3,3")	5.18	25.4	5.08	4.74	1,9 - 2,3	12.2
P1252.018-340	4,76 (3/16")	86,4 (3,4")	5.18	25.4	5.08	4.74	1,9 - 2,3	12.2



OTHER PINS

Order No.	d ₁ +0.00 -0.08	l ₁ grip +1.5 -0.0	d ₂	d ₃	l ₂	l ₃	Pull out strength kg	Single shear strength kN min.
P1252.018-350	4,76 (3/16")	88,9 (3,5")	5.18	25.4	5.08	4.74	1,9 - 2,3	12.2
P1252.018-360	4,76 (3/16")	91,4 (3,6")	5.18	25.4	5.08	4.74	1,9 - 2,3	12.2
P1252.018-370	4,76 (3/16")	94,0 (3,7")	5.18	25.4	5.08	4.74	1,9 - 2,3	12.2
P1252.018-380	4,76 (3/16")	96,5 (3,8")	5.18	25.4	5.08	4.74	1,9 - 2,3	12.2
P1252.018-390	4,76 (3/16")	99,1 (3,9")	5.18	25.4	5.08	4.74	1,9 - 2,3	12.2
P1252.018-400	4,76 (3/16")	101,6 (4")	5.18	25.4	5.08	4.74	1,9 - 2,3	12.2
P1252.025-040	6,35 (1/4")	10,2 (0,4")	7.26	25.4	7.92	5.58	2,27 - 2,73	21.7
P1252.025-050	6,35 (1/4")	12,7 (0,5")	7.26	25.4	7.92	5.58	2,27 - 2,73	21.7
P1252.025-060	6,35 (1/4")	15,2 (0,6")	7.26	25.4	7.92	5.58	2,27 - 2,73	21.7
P1252.025-070	6,35 (1/4")	17,8 (0,7")	7.26	25.4	7.92	5.58	2,27 - 2,73	21.7
P1252.025-080	6,35 (1/4")	20,3 (0,8")	7.26	25.4	7.92	5.58	2,27 - 2,73	21.7
P1252.025-090	6,35 (1/4")	22,9 (0,9")	7.26	25.4	7.92	5.58	2,27 - 2,73	21.7
P1252.025-100	6,35 (1/4")	25,4 (1")	7.26	25.4	7.92	5.58	2,27 - 2,73	21.7
P1252.025-110	6,35 (1/4")	27,9 (1,1")	7.26	25.4	7.92	5.58	2,27 - 2,73	21.7
P1252.025-120	6,35 (1/4")	30,5 (1,2")	7.26	25.4	7.92	5.58	2,27 - 2,73	21.7
P1252.025-130	6,35 (1/4")	33,0 (1,3")	7.26	25.4	7.92	5.58	2,27 - 2,73	21.7
P1252.025-140	6,35 (1/4")	35,6 (1,4")	7.26	25.4	7.92	5.58	2,27 - 2,73	21.7
P1252.025-150	6,35 (1/4")	38,1 (1,5")	7.26	25.4	7.92	5.58	2,27 - 2,73	21.7
P1252.025-160	6,35 (1/4")	40,6 (1,6")	7.26	25.4	7.92	5.58	2,27 - 2,73	21.7
P1252.025-170	6,35 (1/4")	43,2 (1,7")	7.26	25.4	7.92	5.58	2,27 - 2,73	21.7
P1252.025-180	6,35 (1/4")	45,7 (1,8")	7.26	25.4	7.92	5.58	2,27 - 2,73	21.7
P1252.025-190	6,35 (1/4")	48,2 (1,9")	7.26	25.4	7.92	5.58	2,27 - 2,73	21.7
P1252.025-200	6,35 (1/4")	50,8 (2")	7.26	25.4	7.92	5.58	2,27 - 2,73	21.7
P1252.025-210	6,35 (1/4")	53,3 (2,1")	7.26	25.4	7.92	5.58	2,27 - 2,73	21.7
P1252.025-220	6,35 (1/4")	55,9 (2,2")	7.26	25.4	7.92	5.58	2,27 - 2,73	21.7
P1252.025-230	6,35 (1/4")	58,4 (2,3")	7.26	25.4	7.92	5.58	2,27 - 2,73	21.7
P1252.025-240	6,35 (1/4")	61,0 (2,4")	7.26	25.4	7.92	5.58	2,27 - 2,73	21.7
P1252.025-260	6,35 (1/4")	66,04 (2,6")	7.26	25.4	7.92	5.58	2,27 - 2,73	21.7
P1252.025-270	6,35 (1/4")	68,6 (2,7")	7.26	25.4	7.92	5.58	2,27 - 2,73	21.7
P1252.025-280	6,35 (1/4")	71,1 (2,8")	7.26	25.4	7.92	5.58	2,27 - 2,73	21.7
P1252.025-290	6,35 (1/4")	73,7 (2,9")	7.26	25.4	7.92	5.58	2,27 - 2,73	21.7
P1252.025-300	6,35 (1/4")	76,2 (3")	7.26	25.4	7.92	5.58	2,27 - 2,73	21.7
P1252.025-310	6,35 (1/4")	78,7 (3,1")	7.26	25.4	7.92	5.58	2,27 - 2,73	21.7
P1252.025-320	6,35 (1/4")	81,3 (3,2")	7.26	25.4	7.92	5.58	2,27 - 2,73	21.7
P1252.025-330	6,35 (1/4")	83,8 (3,3")	7.26	25.4	7.92	5.58	2,27 - 2,73	21.7
P1252.025-340	6,35 (1/4")	86,4 (3,4")	7.26	25.4	7.92	5.58	2,27 - 2,73	21.7
P1252.025-350	6,35 (1/4")	88,9 (3,5")	7.26	25.4	7.92	5.58	2,27 - 2,73	21.7
P1252.025-360	6,35 (1/4")	91,4 (3,6")	7.26	25.4	7.92	5.58	2,27 - 2,73	21.7
P1252.025-370	6,35 (1/4")	94,0 (3,7")	7.26	25.4	7.92	5.58	2,27 - 2,73	21.7
P1252.025-380	6,35 (1/4")	96,5 (3,8")	7.26	25.4	7.92	5.58	2,27 - 2,73	21.7
P1252.025-390	6,35 (1/4")	99,1 (3,9")	7.26	25.4	7.92	5.58	2,27 - 2,73	21.7
P1252.031-060	7,93 (5/16")	15,2 (0,6")	9.09	25.4	9.52	6.35	2,27 - 2,73	33.8
P1252.031-070	7,93 (5/16")	17,8 (0,7")	9.09	25.4	9.52	6.35	2,27 - 2,73	33.8
P1252.031-080	7,93 (5/16")	20,3 (0,8")	9.09	25.4	9.52	6.35	2,27 - 2,73	33.8
P1252.031-090	7,93 (5/16")	22,9 (0,9")	9.09	25.4	9.52	6.35	2,27 - 2,73	33.8
P1252.031-100	7,93 (5/16")	25,4 (1")	9.09	25.4	9.52	6.35	2,27 - 2,73	33.8
P1252.031-110	7,93 (5/16")	27,9 (1,1")	9.09	25.4	9.52	6.35	2,27 - 2,73	33.8
P1252.031-120	7,93 (5/16")	30,5 (1,2")	9.09	25.4	9.52	6.35	2,27 - 2,73	33.8
P1252.031-130	7,93 (5/16")	33,0 (1,3")	9.09	25.4	9.52	6.35	2,27 - 2,73	33.8
P1252.031-140	7,93 (5/16")	35,6 (1,4")	9.09	25.4	9.52	6.35	2,27 - 2,73	33.8
P1252.031-150	7,93 (5/16")	38,1 (1,5")	9.09	25.4	9.52	6.35	2,27 - 2,73	33.8
P1252.031-160	7,93 (5/16")	40,6 (1,6")	9.09	25.4	9.52	6.35	2,27 - 2,73	33.8
P1252.031-170	7,93 (5/16")	43,2 (1,7")	9.09	25.4	9.52	6.35	2,27 - 2,73	33.8
P1252.031-180	7,93 (5/16")	45,7 (1,8")	9.09	25.4	9.52	6.35	2,27 - 2,73	33.8
P1252.031-190	7,93 (5/16")	48,2 (1,9")	9.09	25.4	9.52	6.35	2,27 - 2,73	33.8
P1252.031-200	7,93 (5/16")	50,8 (2")	9.09	25.4	9.52	6.35	2,27 - 2,73	33.8
P1252.031-210	7,93 (5/16")	53,3 (2,1")	9.09	25.4	9.52	6.35	2,27 - 2,73	33.8
P1252.031-220	7,93 (5/16")	55,9 (2,2")	9.09	25.4	9.52	6.35	2,27 - 2,73	33.8
P1252.031-230	7,93 (5/16")	58,4 (2,3")	9.09	25.4	9.52	6.35	2,27 - 2,73	33.8
P1252.031-240	7,93 (5/16")	61,0 (2,4")	9.09	25.4	9.52	6.35	2,27 - 2,73	33.8
P1252.031-250	7,93 (5/16")	63,5 (2,5")	9.09	25.4	9.52	6.35	2,27 - 2,73	33.8
P1252.031-260	7,93 (5/16")	66,04 (2,6")	9.09	25.4	9.52	6.35	2,27 - 2,73	33.8
P1252.031-270	7,93 (5/16")	68,6 (2,7")	9.09	25.4	9.52	6.35	2,27 - 2,73	33.8
P1252.031-280	7,93 (5/16")	71,1 (2,8")	9.09	25.4	9.52	6.35	2,27 - 2,73	33.8
P1252.031-290	7,93 (5/16")	73,7 (2,9")	9.09	25.4	9.52	6.35	2,27 - 2,73	33.8
P1252.031-300	7,93 (5/16")	76,2 (3")	9.09	25.4	9.52	6.35	2,27 - 2,73	33.8
P1252.031-310	7,93 (5/16")	78,7 (3,1")	9.09	25.4	9.52	6.35	2,27 - 2,73	33.8



Detent Pin Stainless Steel

Other Pins



Order No.	d ₁ +0.00 -0.08	l ₁ grip +1.5 -0.0	d ₂	d ₃	l ₂	l ₃	Pull out strength kg	Single shear strength kN min.
P1252.031-320	7,93 (5/16")	81,3 (3,2")	9.09	25.4	9.52	6.35	2,27 - 2,73	33.8
P1252.031-330	7,93 (5/16")	83,8 (3,3")	9.09	25.4	9.52	6.35	2,27 - 2,73	33.8
P1252.031-340	7,93 (5/16")	86,4 (3,4")	9.09	25.4	9.52	6.35	2,27 - 2,73	33.8
P1252.031-350	7,93 (5/16")	88,9 (3,5")	9.09	25.4	9.52	6.35	2,27 - 2,73	33.8
P1252.031-360	7,93 (5/16")	91,4 (3,6")	9.09	25.4	9.52	6.35	2,27 - 2,73	33.8
P1252.031-370	7,93 (5/16")	94,0 (3,7")	9.09	25.4	9.52	6.35	2,27 - 2,73	33.8
P1252.031-380	7,93 (5/16")	96,5 (3,8")	9.09	25.4	9.52	6.35	2,27 - 2,73	33.8
P1252.031-390	7,93 (5/16")	99,1 (3,9")	9.09	25.4	9.52	6.35	2,27 - 2,73	33.8
P1252.031-400	7,93 (5/16")	101,6 (4")	9.09	25.4	9.52	6.35	2,27 - 2,73	33.8
P1252.031-410	7,93 (5/16")	104,1 (4,1")	9.09	25.4	9.52	6.35	2,27 - 2,73	33.8
P1252.031-420	7,93 (5/16")	106,7 (4,2")	9.09	25.4	9.52	6.35	2,27 - 2,73	33.8
P1252.031-430	7,93 (5/16")	109,2 (4,3")	9.09	25.4	9.52	6.35	2,27 - 2,73	33.8
P1252.031-440	7,93 (5/16")	111,8 (4,4")	9.09	25.4	9.52	6.35	2,27 - 2,73	33.8
P1252.031-450	7,93 (5/16")	114,3 (4,5")	9.09	25.4	9.52	6.35	2,27 - 2,73	33.8
P1252.031-460	7,93 (5/16")	116,8 (4,6")	9.09	25.4	9.52	6.35	2,27 - 2,73	33.8
P1252.031-470	7,93 (5/16")	119,4 (4,7")	9.09	25.4	9.52	6.35	2,27 - 2,73	33.8
P1252.031-480	7,93 (5/16")	121,9 (4,8")	9.09	25.4	9.52	6.35	2,27 - 2,73	33.8
P1252.031-490	7,93 (5/16")	124,5 (4,9")	9.09	25.4	9.52	6.35	2,27 - 2,73	33.8
P1252.031-500	7,93 (5/16")	127,0 (5")	9.09	25.4	9.52	6.35	2,27 - 2,73	33.8
P1252.037-060	9,52 (3/8")	15,2 (0,6")	10.8	25.4	12.7	6.35	3,63 - 4,54	49.1
P1252.037-070	9,52 (3/8")	17,8 (0,7")	10.8	25.4	12.7	6.35	3,63 - 4,54	49.1
P1252.037-090	9,52 (3/8")	22,9 (0,9")	10.8	25.4	12.7	6.35	3,63 - 4,54	49.1
P1252.037-100	9,52 (3/8")	25,4 (1")	10.8	25.4	12.7	6.35	3,63 - 4,54	49.1
P1252.037-110	9,52 (3/8")	27,9 (1,1")	10.8	25.4	12.7	6.35	3,63 - 4,54	49.1
P1252.037-120	9,52 (3/8")	30,5 (1,2")	10.8	25.4	12.7	6.35	3,63 - 4,54	49.1
P1252.037-130	9,52 (3/8")	33,0 (1,3")	10.8	25.4	12.7	6.35	3,63 - 4,54	49.1
P1252.037-140	9,52 (3/8")	35,6 (1,4")	10.8	25.4	12.7	6.35	3,63 - 4,54	49.1
P1252.037-150	9,52 (3/8")	38,1 (1,5")	10.8	25.4	12.7	6.35	3,63 - 4,54	49.1
P1252.037-160	9,52 (3/8")	40,6 (1,6")	10.8	25.4	12.7	6.35	3,63 - 4,54	49.1
P1252.037-170	9,52 (3/8")	43,2 (1,7")	10.8	25.4	12.7	6.35	3,63 - 4,54	49.1
P1252.037-180	9,52 (3/8")	45,7 (1,8")	10.8	25.4	12.7	6.35	3,63 - 4,54	49.1
P1252.037-190	9,52 (3/8")	48,2 (1,9")	10.8	25.4	12.7	6.35	3,63 - 4,54	49.1
P1252.037-200	9,52 (3/8")	50,8 (2")	10.8	25.4	12.7	6.35	3,63 - 4,54	49.1
P1252.037-210	9,52 (3/8")	53,3 (2,1")	10.8	25.4	12.7	6.35	3,63 - 4,54	49.1
P1252.037-220	9,52 (3/8")	55,9 (2,2")	10.8	25.4	12.7	6.35	3,63 - 4,54	49.1
P1252.037-230	9,52 (3/8")	58,4 (2,3")	10.8	25.4	12.7	6.35	3,63 - 4,54	49.1
P1252.037-240	9,52 (3/8")	61,0 (2,4")	10.8	25.4	12.7	6.35	3,63 - 4,54	49.1
P1252.037-250	9,52 (3/8")	63,5 (2,5")	10.8	25.4	12.7	6.35	3,63 - 4,54	49.1
P1252.037-260	9,52 (3/8")	66,04 (2,6")	10.8	25.4	12.7	6.35	3,63 - 4,54	49.1
P1252.037-270	9,52 (3/8")	68,6 (2,7")	10.8	25.4	12.7	6.35	3,63 - 4,54	49.1
P1252.037-280	9,52 (3/8")	71,1 (2,8")	10.8	25.4	12.7	6.35	3,63 - 4,54	49.1
P1252.037-290	9,52 (3/8")	73,7 (2,9")	10.8	25.4	12.7	6.35	3,63 - 4,54	49.1
P1252.037-300	9,52 (3/8")	76,2 (3")	10.8	25.4	12.7	6.35	3,63 - 4,54	49.1
P1252.037-310	9,52 (3/8")	78,7 (3,1")	10.8	25.4	12.7	6.35	3,63 - 4,54	49.1
P1252.037-320	9,52 (3/8")	81,3 (3,2")	10.8	25.4	12.7	6.35	3,63 - 4,54	49.1
P1252.037-330	9,52 (3/8")	83,8 (3,3")	10.8	25.4	12.7	6.35	3,63 - 4,54	49.1
P1252.037-340	9,52 (3/8")	86,4 (3,4")	10.8	25.4	12.7	6.35	3,63 - 4,54	49.1
P1252.037-350	9,52 (3/8")	88,9 (3,5")	10.8	25.4	12.7	6.35	3,63 - 4,54	49.1
P1252.037-360	9,52 (3/8")	91,4 (3,6")	10.8	25.4	12.7	6.35	3,63 - 4,54	49.1
P1252.037-370	9,52 (3/8")	94,0 (3,7")	10.8	25.4	12.7	6.35	3,63 - 4,54	49.1
P1252.037-380	9,52 (3/8")	96,5 (3,8")	10.8	25.4	12.7	6.35	3,63 - 4,54	49.1
P1252.037-390	9,52 (3/8")	99,1 (3,9")	10.8	25.4	12.7	6.35	3,63 - 4,54	49.1
P1252.037-400	9,52 (3/8")	101,6 (4")	10.8	25.4	12.7	6.35	3,63 - 4,54	49.1
P1252.037-410	9,52 (3/8")	104,1 (4,1")	10.8	25.4	12.7	6.35	3,63 - 4,54	49.1
P1252.037-420	9,52 (3/8")	106,7 (4,2")	10.8	25.4	12.7	6.35	3,63 - 4,54	49.1
P1252.037-430	9,52 (3/8")	109,2 (4,3")	10.8	25.4	12.7	6.35	3,63 - 4,54	49.1
P1252.037-440	9,52 (3/8")	111,8 (4,4")	10.8	25.4	12.7	6.35	3,63 - 4,54	49.1
P1252.037-450	9,52 (3/8")	114,3 (4,5")	10.8	25.4	12.7	6.35	3,63 - 4,54	49.1
P1252.037-460	9,52 (3/8")	116,8 (4,6")	10.8	25.4	12.7	6.35	3,63 - 4,54	49.1
P1252.037-470	9,52 (3/8")	119,4 (4,7")	10.8	25.4	12.7	6.35	3,63 - 4,54	49.1
P1252.037-480	9,52 (3/8")	121,9 (4,8")	10.8	25.4	12.7	6.35	3,63 - 4,54	49.1
P1252.037-490	9,52 (3/8")	124,5 (4,9")	10.8	25.4	12.7	6.35	3,63 - 4,54	49.1
P1252.037-500	9,52 (3/8")	127,0 (5")	10.8	25.4	12.7	6.35	3,63 - 4,54	49.1
P1252.037-510	9,52 (3/8")	129,5 (5,1")	10.8	25.4	12.7	6.35	3,63 - 4,54	49.1
P1252.037-520	9,52 (3/8")	132,1 (5,2")	10.8	25.4	12.7	6.35	3,63 - 4,54	49.1
P1252.037-530	9,52 (3/8")	134,6 (5,3")	10.8	25.4	12.7	6.35	3,63 - 4,54	49.1
P1252.037-540	9,52 (3/8")	137,2 (5,4")	10.8	25.4	12.7	6.35	3,63 - 4,54	49.1

OTHER PINS



OTHER PINS

Order No.	d ₁ +0.00 -0.08	l ₁ grip +1.5 -0.0	d ₂	d ₃	l ₂	l ₃	Pull out strength kg	Single shear strength kN min.
P1252.037-560	9,52 (3/8")	142,2 (5,6")	10,8	25,4	12,7	6,35	3,63 - 4,54	49,1
P1252.037-570	9,52 (3/8")	144,8 (5,7")	10,8	25,4	12,7	6,35	3,63 - 4,54	49,1
P1252.037-580	9,52 (3/8")	147,3 (5,8")	10,8	25,4	12,7	6,35	3,63 - 4,54	49,1
P1252.037-590	9,52 (3/8")	149,9 (5,9")	10,8	25,4	12,7	6,35	3,63 - 4,54	49,1
P1252.043-050	11,1 (7/16")	12,7 (0,5")	12,5	25,4	14,2	6,35	4,09 - 5,45	66,5
P1252.043-060	11,1 (7/16")	15,2 (0,6")	12,5	25,4	14,2	6,35	4,09 - 5,45	66,5
P1252.043-070	11,1 (7/16")	17,8 (0,7")	12,5	25,4	14,2	6,35	4,09 - 5,45	66,5
P1252.043-080	11,1 (7/16")	20,3 (0,8")	12,5	25,4	14,2	6,35	4,09 - 5,45	66,5
P1252.043-090	11,1 (7/16")	22,9 (0,9")	12,5	25,4	14,2	6,35	4,09 - 5,45	66,5
P1252.043-100	11,1 (7/16")	25,4 (1")	12,5	25,4	14,2	6,35	4,09 - 5,45	66,5
P1252.043-110	11,1 (7/16")	27,9 (1,1")	12,5	25,4	14,2	6,35	4,09 - 5,45	66,5
P1252.043-120	11,1 (7/16")	30,5 (1,2")	12,5	25,4	14,2	6,35	4,09 - 5,45	66,5
P1252.043-130	11,1 (7/16")	33,0 (1,3")	12,5	25,4	14,2	6,35	4,09 - 5,45	66,5
P1252.043-140	11,1 (7/16")	35,6 (1,4")	12,5	25,4	14,2	6,35	4,09 - 5,45	66,5
P1252.043-150	11,1 (7/16")	38,1 (1,5")	12,5	25,4	14,2	6,35	4,09 - 5,45	66,5
P1252.043-160	11,1 (7/16")	40,6 (1,6")	12,5	25,4	14,2	6,35	4,09 - 5,45	66,5
P1252.043-170	11,1 (7/16")	43,2 (1,7")	12,5	25,4	14,2	6,35	4,09 - 5,45	66,5
P1252.043-180	11,1 (7/16")	45,7 (1,8")	12,5	25,4	14,2	6,35	4,09 - 5,45	66,5
P1252.043-190	11,1 (7/16")	48,2 (1,9")	12,5	25,4	14,2	6,35	4,09 - 5,45	66,5
P1252.043-200	11,1 (7/16")	50,8 (2")	12,5	25,4	14,2	6,35	4,09 - 5,45	66,5
P1252.043-210	11,1 (7/16")	53,3 (2,1")	12,5	25,4	14,2	6,35	4,09 - 5,45	66,5
P1252.043-220	11,1 (7/16")	55,9 (2,2")	12,5	25,4	14,2	6,35	4,09 - 5,45	66,5
P1252.043-230	11,1 (7/16")	58,4 (2,3")	12,5	25,4	14,2	6,35	4,09 - 5,45	66,5
P1252.043-240	11,1 (7/16")	61,0 (2,4")	12,5	25,4	14,2	6,35	4,09 - 5,45	66,5
P1252.043-250	11,1 (7/16")	63,5 (2,5")	12,5	25,4	14,2	6,35	4,09 - 5,45	66,5
P1252.043-260	11,1 (7/16")	66,04 (2,6")	12,5	25,4	14,2	6,35	4,09 - 5,45	66,5
P1252.043-270	11,1 (7/16")	68,6 (2,7")	12,5	25,4	14,2	6,35	4,09 - 5,45	66,5
P1252.043-280	11,1 (7/16")	71,1 (2,8")	12,5	25,4	14,2	6,35	4,09 - 5,45	66,5
P1252.043-290	11,1 (7/16")	73,7 (2,9")	12,5	25,4	14,2	6,35	4,09 - 5,45	66,5
P1252.043-300	11,1 (7/16")	76,2 (3")	12,5	25,4	14,2	6,35	4,09 - 5,45	66,5
P1252.043-310	11,1 (7/16")	78,7 (3,1")	12,5	25,4	14,2	6,35	4,09 - 5,45	66,5
P1252.043-320	11,1 (7/16")	81,3 (3,2")	12,5	25,4	14,2	6,35	4,09 - 5,45	66,5
P1252.043-330	11,1 (7/16")	83,8 (3,3")	12,5	25,4	14,2	6,35	4,09 - 5,45	66,5
P1252.043-340	11,1 (7/16")	86,4 (3,4")	12,5	25,4	14,2	6,35	4,09 - 5,45	66,5
P1252.043-360	11,1 (7/16")	91,4 (3,6")	12,5	25,4	14,2	6,35	4,09 - 5,45	66,5
P1252.043-370	11,1 (7/16")	94,0 (3,7")	12,5	25,4	14,2	6,35	4,09 - 5,45	66,5
P1252.043-380	11,1 (7/16")	96,5 (3,8")	12,5	25,4	14,2	6,35	4,09 - 5,45	66,5
P1252.043-390	11,1 (7/16")	99,1 (3,9")	12,5	25,4	14,2	6,35	4,09 - 5,45	66,5
P1252.043-400	11,1 (7/16")	101,6 (4")	12,5	25,4	14,2	6,35	4,09 - 5,45	66,5
P1252.043-410	11,1 (7/16")	104,1 (4,1")	12,5	25,4	14,2	6,35	4,09 - 5,45	66,5
P1252.043-420	11,1 (7/16")	106,7 (4,2")	12,5	25,4	14,2	6,35	4,09 - 5,45	66,5
P1252.043-430	11,1 (7/16")	109,2 (4,3")	12,5	25,4	14,2	6,35	4,09 - 5,45	66,5
P1252.043-440	11,1 (7/16")	111,8 (4,4")	12,5	25,4	14,2	6,35	4,09 - 5,45	66,5
P1252.043-450	11,1 (7/16")	114,3 (4,5")	12,5	25,4	14,2	6,35	4,09 - 5,45	66,5
P1252.043-460	11,1 (7/16")	116,8 (4,6")	12,5	25,4	14,2	6,35	4,09 - 5,45	66,5
P1252.043-470	11,1 (7/16")	119,4 (4,7")	12,5	25,4	14,2	6,35	4,09 - 5,45	66,5
P1252.043-480	11,1 (7/16")	121,9 (4,8")	12,5	25,4	14,2	6,35	4,09 - 5,45	66,5
P1252.043-490	11,1 (7/16")	124,5 (4,9")	12,5	25,4	14,2	6,35	4,09 - 5,45	66,5
P1252.043-500	11,1 (7/16")	127,0 (5")	12,5	25,4	14,2	6,35	4,09 - 5,45	66,5
P1252.043-510	11,1 (7/16")	129,5 (5,1")	12,5	25,4	14,2	6,35	4,09 - 5,45	66,5
P1252.043-520	11,1 (7/16")	132,1 (5,2")	12,5	25,4	14,2	6,35	4,09 - 5,45	66,5
P1252.043-530	11,1 (7/16")	134,6 (5,3")	12,5	25,4	14,2	6,35	4,09 - 5,45	66,5
P1252.043-540	11,1 (7/16")	137,2 (5,4")	12,5	25,4	14,2	6,35	4,09 - 5,45	66,5
P1252.043-550	11,1 (7/16")	139,7 (5,5")	12,5	25,4	14,2	6,35	4,09 - 5,45	66,5
P1252.043-560	11,1 (7/16")	142,2 (5,6")	12,5	25,4	14,2	6,35	4,09 - 5,45	66,5
P1252.043-570	11,1 (7/16")	144,8 (5,7")	12,5	25,4	14,2	6,35	4,09 - 5,45	66,5
P1252.043-580	11,1 (7/16")	147,3 (5,8")	12,5	25,4	14,2	6,35	4,09 - 5,45	66,5
P1252.043-590	11,1 (7/16")	149,9 (5,9")	12,5	25,4	14,2	6,35	4,09 - 5,45	66,5
P1252.043-600	11,1 (7/16")	152,4 (6")	12,5	25,4	14,2	6,35	4,09 - 5,45	66,5
P1252.050-050	12,7 (1/2")	12,7 (0,5")	14,4	31,7	15,8	7,92	4,54 - 5,45	87,1
P1252.050-060	12,7 (1/2")	15,2 (0,6")	14,4	31,7	15,8	7,92	4,54 - 5,45	87,1
P1252.050-070	12,7 (1/2")	17,8 (0,7")	14,4	31,7	15,8	7,92	4,54 - 5,45	87,1
P1252.050-080	12,7 (1/2")	20,3 (0,8")	14,4	31,7	15,8	7,92	4,54 - 5,45	87,1
P1252.050-090	12,7 (1/2")	22,9 (0,9")	14,4	31,7	15,8	7,92	4,54 - 5,45	87,1
P1252.050-100	12,7 (1/2")	25,4 (1")	14,4	31,7	15,8	7,92	4,54 - 5,45	87,1
P1252.050-110	12,7 (1/2")	27,9 (1,1")	14,4	31,7	15,8	7,92	4,54 - 5,45	87,1
P1252.050-120	12,7 (1/2")	30,5 (1,2")	14,4	31,7	15,8	7,92	4,54 - 5,45	87,1



Detent Pin Stainless Steel



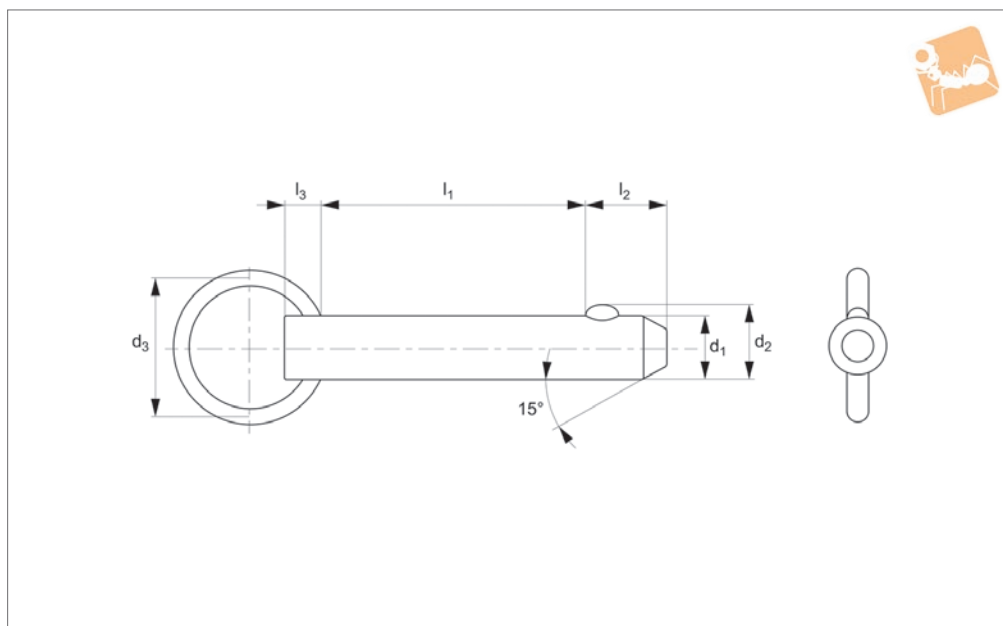
Other Pins

Order No.	d ₁ +0.00 -0.08	l ₁ grip +1.5 -0.0	d ₂	d ₃	l ₂	l ₃	Pull out strength kg	Single shear strength kN min.
P1252.050-130	12,7 (1/2")	33,0 (1,3")	14,4	31,7	15,8	7,92	4,54 - 5,45	87,1
P1252.050-140	12,7 (1/2")	35,6 (1,4")	14,4	31,7	15,8	7,92	4,54 - 5,45	87,1
P1252.050-150	12,7 (1/2")	38,1 (1,5")	14,4	31,7	15,8	7,92	4,54 - 5,45	87,1
P1252.050-160	12,7 (1/2")	40,6 (1,6")	14,4	31,7	15,8	7,92	4,54 - 5,45	87,1
P1252.050-170	12,7 (1/2")	43,2 (1,7")	14,4	31,7	15,8	7,92	4,54 - 5,45	87,1
P1252.050-180	12,7 (1/2")	45,7 (1,8")	14,4	31,7	15,8	7,92	4,54 - 5,45	87,1
P1252.050-190	12,7 (1/2")	48,2 (1,9")	14,4	31,7	15,8	7,92	4,54 - 5,45	87,1
P1252.050-200	12,7 (1/2")	50,8 (2")	14,4	31,7	15,8	7,92	4,54 - 5,45	87,1
P1252.050-210	12,7 (1/2")	53,3 (2,1")	14,4	31,7	15,8	7,92	4,54 - 5,45	87,1
P1252.050-220	12,7 (1/2")	55,9 (2,2")	14,4	31,7	15,8	7,92	4,54 - 5,45	87,1
P1252.050-230	12,7 (1/2")	58,4 (2,3")	14,4	31,7	15,8	7,92	4,54 - 5,45	87,1
P1252.050-240	12,7 (1/2")	61,0 (2,4")	14,4	31,7	15,8	7,92	4,54 - 5,45	87,1
P1252.050-250	12,7 (1/2")	63,5 (2,5")	14,4	31,7	15,8	7,92	4,54 - 5,45	87,1
P1252.050-260	12,7 (1/2")	66,04 (2,6")	14,4	31,7	15,8	7,92	4,54 - 5,45	87,1
P1252.050-270	12,7 (1/2")	68,6 (2,7")	14,4	31,7	15,8	7,92	4,54 - 5,45	87,1
P1252.050-280	12,7 (1/2")	71,1 (2,8")	14,4	31,7	15,8	7,92	4,54 - 5,45	87,1
P1252.050-290	12,7 (1/2")	73,7 (2,9")	14,4	31,7	15,8	7,92	4,54 - 5,45	87,1
P1252.050-300	12,7 (1/2")	76,2 (3")	14,4	31,7	15,8	7,92	4,54 - 5,45	87,1
P1252.050-310	12,7 (1/2")	78,7 (3,1")	14,4	31,7	15,8	7,92	4,54 - 5,45	87,1
P1252.050-320	12,7 (1/2")	81,3 (3,2")	14,4	31,7	15,8	7,92	4,54 - 5,45	87,1
P1252.050-330	12,7 (1/2")	83,8 (3,3")	14,4	31,7	15,8	7,92	4,54 - 5,45	87,1
P1252.050-340	12,7 (1/2")	86,4 (3,4")	14,4	31,7	15,8	7,92	4,54 - 5,45	87,1
P1252.050-350	12,7 (1/2")	88,9 (3,5")	14,4	31,7	15,8	7,92	4,54 - 5,45	87,1
P1252.050-360	12,7 (1/2")	91,4 (3,6")	14,4	31,7	15,8	7,92	4,54 - 5,45	87,1
P1252.050-370	12,7 (1/2")	94,0 (3,7")	14,4	31,7	15,8	7,92	4,54 - 5,45	87,1
P1252.050-380	12,7 (1/2")	96,5 (3,8")	14,4	31,7	15,8	7,92	4,54 - 5,45	87,1
P1252.050-390	12,7 (1/2")	99,1 (3,9")	14,4	31,7	15,8	7,92	4,54 - 5,45	87,1
P1252.050-400	12,7 (1/2")	101,6 (4")	14,4	31,7	15,8	7,92	4,54 - 5,45	87,1
P1252.050-410	12,7 (1/2")	104,1 (4,1")	14,4	31,7	15,8	7,92	4,54 - 5,45	87,1
P1252.050-420	12,7 (1/2")	106,7 (4,2")	14,4	31,7	15,8	7,92	4,54 - 5,45	87,1
P1252.050-430	12,7 (1/2")	109,2 (4,3")	14,4	31,7	15,8	7,92	4,54 - 5,45	87,1
P1252.050-440	12,7 (1/2")	111,8 (4,4")	14,4	31,7	15,8	7,92	4,54 - 5,45	87,1
P1252.050-450	12,7 (1/2")	114,3 (4,5")	14,4	31,7	15,8	7,92	4,54 - 5,45	87,1
P1252.050-460	12,7 (1/2")	116,8 (4,6")	14,4	31,7	15,8	7,92	4,54 - 5,45	87,1
P1252.050-470	12,7 (1/2")	119,4 (4,7")	14,4	31,7	15,8	7,92	4,54 - 5,45	87,1
P1252.050-480	12,7 (1/2")	121,9 (4,8")	14,4	31,7	15,8	7,92	4,54 - 5,45	87,1
P1252.050-490	12,7 (1/2")	124,5 (4,9")	14,4	31,7	15,8	7,92	4,54 - 5,45	87,1
P1252.050-500	12,7 (1/2")	127,0 (5")	14,4	31,7	15,8	7,92	4,54 - 5,45	87,1
P1252.050-510	12,7 (1/2")	129,5 (5,1")	14,4	31,7	15,8	7,92	4,54 - 5,45	87,1
P1252.050-520	12,7 (1/2")	132,1 (5,2")	14,4	31,7	15,8	7,92	4,54 - 5,45	87,1
P1252.050-530	12,7 (1/2")	134,6 (5,3")	14,4	31,7	15,8	7,92	4,54 - 5,45	87,1
P1252.050-540	12,7 (1/2")	137,2 (5,4")	14,4	31,7	15,8	7,92	4,54 - 5,45	87,1
P1252.050-550	12,7 (1/2")	139,7 (5,5")	14,4	31,7	15,8	7,92	4,54 - 5,45	87,1
P1252.050-560	12,7 (1/2")	142,2 (5,6")	14,4	31,7	15,8	7,92	4,54 - 5,45	87,1
P1252.050-570	12,7 (1/2")	144,8 (5,7")	14,4	31,7	15,8	7,92	4,54 - 5,45	87,1
P1252.050-580	12,7 (1/2")	147,3 (5,8")	14,4	31,7	15,8	7,92	4,54 - 5,45	87,1
P1252.050-590	12,7 (1/2")	149,9 (5,9")	14,4	31,7	15,8	7,92	4,54 - 5,45	87,1
P1252.050-600	12,7 (1/2")	152,4 (6")	14,4	31,7	15,8	7,92	4,54 - 5,45	87,1
P1252.050-610	12,7 (1/2")	154,9 (6,1")	14,4	31,7	15,8	7,92	4,54 - 5,45	87,1
P1252.050-620	12,7 (1/2")	157,5 (6,2")	14,4	31,7	15,8	7,92	4,54 - 5,45	87,1
P1252.050-630	12,7 (1/2")	160,0 (6,3")	14,4	31,7	15,8	7,92	4,54 - 5,45	87,1
P1252.050-640	12,7 (1/2")	162,6 (6,4")	14,4	31,7	15,8	7,92	4,54 - 5,45	87,1
P1252.050-650	12,7 (1/2")	165,1 (6,5")	14,4	31,7	15,8	7,92	4,54 - 5,45	87,1
P1252.050-660	12,7 (1/2")	167,6 (6,6")	14,4	31,7	15,8	7,92	4,54 - 5,45	87,1
P1252.050-670	12,7 (1/2")	170,2 (6,7")	14,4	31,7	15,8	7,92	4,54 - 5,45	87,1
P1252.050-680	12,7 (1/2")	172,7 (6,8")	14,4	31,7	15,8	7,92	4,54 - 5,45	87,1
P1252.050-690	12,7 (1/2")	175,3 (6,9")	14,4	31,7	15,8	7,92	4,54 - 5,45	87,1
P1252.050-700	12,7 (1/2")	177,8 (7")	14,4	31,7	15,8	7,92	4,54 - 5,45	87,1

OTHER PINS



P1252.2



Material

Shaft: Stainless steel, AISI 303.

Ball & Spring: Stainless steel, AISI 316.

Technical Notes

Detent pins are very economical for use in commercial and military equipment.

The solid body with direct spring loaded ball ensures reliable operation.

For locking telescopic tubing, securing bracket assemblies, as anchor clevis fittings, hinge pins etc where frequent removal is necessary.

Hole sizes - commercial drills provide clearance for our standard pins.

Inch dimensions in brackets ().

Tips

Also available on request in A4 (AISI 316) stainless steel, subject to min. quantity.

Order No.	d ₁ +0.00 -0.08	l ₁ grip +1.5 -0.0	d ₂	d ₃	l ₂	l ₃	Pull out strength kg	Single shear strength kN min.
P1252.056-100	14,2 (9/16")	25,4 (1,0")	16,3	31,7	17,4	7,92	5,45 - 6,81	110,3
P1252.056-110	14,2 (9/16")	27,9 (1,1")	16,3	31,7	17,4	7,92	5,45 - 6,81	110,3
P1252.056-120	14,2 (9/16")	30,5 (1,2")	16,3	31,7	17,4	7,92	5,45 - 6,81	110,3
P1252.056-130	14,2 (9/16")	33,0 (1,3")	16,3	31,7	17,4	7,92	5,45 - 6,81	110,3
P1252.056-140	14,2 (9/16")	35,6 (1,4")	16,3	31,7	17,4	7,92	5,45 - 6,81	110,3
P1252.056-150	14,2 (9/16")	38,1 (1,5")	16,3	31,7	17,4	7,92	5,45 - 6,81	110,3
P1252.056-160	14,2 (9/16")	40,6 (1,6")	16,3	31,7	17,4	7,92	5,45 - 6,81	110,3
P1252.056-170	14,2 (9/16")	43,2 (1,7")	16,3	31,7	17,4	7,92	5,45 - 6,81	110,3
P1252.056-180	14,2 (9/16")	45,7 (1,8")	16,3	31,7	17,4	7,92	5,45 - 6,81	110,3
P1252.056-190	14,2 (9/16")	48,3 (1,9")	16,3	31,7	17,4	7,92	5,45 - 6,81	110,3
P1252.056-200	14,2 (9/16")	50,8 (2,0")	16,3	31,7	17,4	7,92	5,45 - 6,81	110,3
P1252.056-210	14,2 (9/16")	53,3 (2,1")	16,3	31,7	17,4	7,92	5,45 - 6,81	110,3
P1252.056-220	14,2 (9/16")	55,9 (2,2")	16,3	31,7	17,4	7,92	5,45 - 6,81	110,3
P1252.056-230	14,2 (9/16")	58,4 (2,3")	16,3	31,7	17,4	7,92	5,45 - 6,81	110,3
P1252.056-240	14,2 (9/16")	61,0 (2,4")	16,3	31,7	17,4	7,92	5,45 - 6,81	110,3
P1252.056-250	14,2 (9/16")	63,5 (2,5")	16,3	31,7	17,4	7,92	5,45 - 6,81	110,3
P1252.056-260	14,2 (9/16")	66,0 (2,6")	16,3	31,7	17,4	7,92	5,45 - 6,81	110,3
P1252.056-270	14,2 (9/16")	68,6 (2,7")	16,3	31,7	17,4	7,92	5,45 - 6,81	110,3
P1252.056-280	14,2 (9/16")	71,1 (2,8")	16,3	31,7	17,4	7,92	5,45 - 6,81	110,3
P1252.056-290	14,2 (9/16")	73,7 (2,9")	16,3	31,7	17,4	7,92	5,45 - 6,81	110,3
P1252.056-300	14,2 (9/16")	76,2 (3,0")	16,3	31,7	17,4	7,92	5,45 - 6,81	110,3
P1252.056-310	14,2 (9/16")	78,7 (3,1")	16,3	31,7	17,4	7,92	5,45 - 6,81	110,3
P1252.056-320	14,2 (9/16")	81,3 (3,2")	16,3	31,7	17,4	7,92	5,45 - 6,81	110,3
P1252.056-330	14,2 (9/16")	83,8 (3,3")	16,3	31,7	17,4	7,92	5,45 - 6,81	110,3
P1252.056-340	14,2 (9/16")	86,4 (3,4")	16,3	31,7	17,4	7,92	5,45 - 6,81	110,3
P1252.056-350	14,2 (9/16")	88,9 (3,5")	16,3	31,7	17,4	7,92	5,45 - 6,81	110,3
P1252.056-360	14,2 (9/16")	91,4 (3,6")	16,3	31,7	17,4	7,92	5,45 - 6,81	110,3
P1252.056-370	14,2 (9/16")	94,0 (3,7")	16,3	31,7	17,4	7,92	5,45 - 6,81	110,3
P1252.056-380	14,2 (9/16")	96,5 (3,8")	16,3	31,7	17,4	7,92	5,45 - 6,81	110,3
P1252.056-390	14,2 (9/16")	99,1 (3,9")	16,3	31,7	17,4	7,92	5,45 - 6,81	110,3



Detent Pin

Stainless Steel



Other Pins

Order No.	d ₁ +0.00 -0.08	l ₁ grip +1.5 -0.0	d ₂	d ₃	l ₂	l ₃	Pull out strength kg	Single shear strength kN min.
P1252.056-400	14,2 (9/16")	101,6 (4,0")	16,3	31,7	17,4	7,92	5,45 - 6,81	110,3
P1252.056-410	14,2 (9/16")	104,1 (4,1")	16,3	31,7	17,4	7,92	5,45 - 6,81	110,3
P1252.056-420	14,2 (9/16")	106,7 (4,2")	16,3	31,7	17,4	7,92	5,45 - 6,81	110,3
P1252.056-430	14,2 (9/16")	109,2 (4,3")	16,3	31,7	17,4	7,92	5,45 - 6,81	110,3
P1252.056-440	14,2 (9/16")	111,8 (4,4")	16,3	31,7	17,4	7,92	5,45 - 6,81	110,3
P1252.056-450	14,2 (9/16")	114,3 (4,5")	16,3	31,7	17,4	7,92	5,45 - 6,81	110,3
P1252.056-460	14,2 (9/16")	116,8 (4,6")	16,3	31,7	17,4	7,92	5,45 - 6,81	110,3
P1252.056-470	14,2 (9/16")	119,4 (4,7")	16,3	31,7	17,4	7,92	5,45 - 6,81	110,3
P1252.056-480	14,2 (9/16")	121,9 (4,8")	16,3	31,7	17,4	7,92	5,45 - 6,81	110,3
P1252.056-490	14,2 (9/16")	124,5 (4,9")	16,3	31,7	17,4	7,92	5,45 - 6,81	110,3
P1252.056-500	14,2 (9/16")	127,0 (5,0")	16,3	31,7	17,4	7,92	5,45 - 6,81	110,3
P1252.056-510	14,2 (9/16")	129,5 (5,1")	16,3	31,7	17,4	7,92	5,45 - 6,81	110,3
P1252.056-520	14,2 (9/16")	132,1 (5,2")	16,3	31,7	17,4	7,92	5,45 - 6,81	110,3
P1252.056-530	14,2 (9/16")	134,6 (5,3")	16,3	31,7	17,4	7,92	5,45 - 6,81	110,3
P1252.056-540	14,2 (9/16")	137,2 (5,4")	16,3	31,7	17,4	7,92	5,45 - 6,81	110,3
P1252.056-550	14,2 (9/16")	139,7 (5,5")	16,3	31,7	17,4	7,92	5,45 - 6,81	110,3
P1252.056-560	14,2 (9/16")	142,2 (5,6")	16,3	31,7	17,4	7,92	5,45 - 6,81	110,3
P1252.056-570	14,2 (9/16")	144,8 (5,7")	16,3	31,7	17,4	7,92	5,45 - 6,81	110,3
P1252.056-580	14,2 (9/16")	147,3 (5,8")	16,3	31,7	17,4	7,92	5,45 - 6,81	110,3
P1252.056-590	14,2 (9/16")	149,9 (5,9")	16,3	31,7	17,4	7,92	5,45 - 6,81	110,3
P1252.056-600	14,2 (9/16")	152,4 (6,0")	16,3	31,7	17,4	7,92	5,45 - 6,81	110,3
P1252.056-610	14,2 (9/16")	154,9 (6,1")	16,3	31,7	17,4	7,92	5,45 - 6,81	110,3
P1252.056-620	14,2 (9/16")	157,5 (6,2")	16,3	31,7	17,4	7,92	5,45 - 6,81	110,3
P1252.056-630	14,2 (9/16")	160,0 (6,3")	16,3	31,7	17,4	7,92	5,45 - 6,81	110,3
P1252.056-640	14,2 (9/16")	162,6 (6,4")	16,3	31,7	17,4	7,92	5,45 - 6,81	110,3
P1252.056-650	14,2 (9/16")	165,1 (6,5")	16,3	31,7	17,4	7,92	5,45 - 6,81	110,3
P1252.056-660	14,2 (9/16")	167,6 (6,6")	16,3	31,7	17,4	7,92	5,45 - 6,81	110,3
P1252.056-670	14,2 (9/16")	170,2 (6,7")	16,3	31,7	17,4	7,92	5,45 - 6,81	110,3
P1252.056-680	14,2 (9/16")	172,7 (6,8")	16,3	31,7	17,4	7,92	5,45 - 6,81	110,3
P1252.056-690	14,2 (9/16")	175,3 (6,9")	16,3	31,7	17,4	7,92	5,45 - 6,81	110,3
P1252.056-700	14,2 (9/16")	177,8 (7,0")	16,3	31,7	17,4	7,92	5,45 - 6,81	110,3
P1252.062-100	15,8 (5/8")	25,4 (1,0")	18,0	31,7	19,0	9,52	6,36 - 7,26	137,3
P1252.062-110	15,8 (5/8")	27,9 (1,1")	18,0	31,7	19,0	9,52	6,36 - 7,26	137,3
P1252.062-120	15,8 (5/8")	30,5 (1,2")	18,0	31,7	19,0	9,52	6,36 - 7,26	137,3
P1252.062-130	15,8 (5/8")	33,0 (1,3")	18,0	31,7	19,0	9,52	6,36 - 7,26	137,3
P1252.062-140	15,8 (5/8")	35,6 (1,4")	18,0	31,7	19,0	9,52	6,36 - 7,26	137,3
P1252.062-150	15,8 (5/8")	38,1 (1,5")	18,0	31,7	19,0	9,52	6,36 - 7,26	137,3
P1252.062-160	15,8 (5/8")	40,6 (1,6")	18,0	31,7	19,0	9,52	6,36 - 7,26	137,3
P1252.062-170	15,8 (5/8")	43,2 (1,7")	18,0	31,7	19,0	9,52	6,36 - 7,26	137,3
P1252.062-180	15,8 (5/8")	45,7 (1,8")	18,0	31,7	19,0	9,52	6,36 - 7,26	137,3
P1252.062-190	15,8 (5/8")	48,3 (1,9")	18,0	31,7	19,0	9,52	6,36 - 7,26	137,3
P1252.062-200	15,8 (5/8")	50,8 (2,0")	18,0	31,7	19,0	9,52	6,36 - 7,26	137,3
P1252.062-210	15,8 (5/8")	53,3 (2,1")	18,0	31,7	19,0	9,52	6,36 - 7,26	137,3
P1252.062-220	15,8 (5/8")	55,9 (2,2")	18,0	31,7	19,0	9,52	6,36 - 7,26	137,3
P1252.062-230	15,8 (5/8")	58,4 (2,3")	18,0	31,7	19,0	9,52	6,36 - 7,26	137,3
P1252.062-240	15,8 (5/8")	61,0 (2,4")	18,0	31,7	19,0	9,52	6,36 - 7,26	137,3
P1252.062-250	15,8 (5/8")	63,5 (2,5")	18,0	31,7	19,0	9,52	6,36 - 7,26	137,3
P1252.062-260	15,8 (5/8")	66,0 (2,6")	18,0	31,7	19,0	9,52	6,36 - 7,26	137,3
P1252.062-270	15,8 (5/8")	68,6 (2,7")	18,0	31,7	19,0	9,52	6,36 - 7,26	137,3
P1252.062-280	15,8 (5/8")	71,1 (2,8")	18,0	31,7	19,0	9,52	6,36 - 7,26	137,3
P1252.062-290	15,8 (5/8")	73,7 (2,9")	18,0	31,7	19,0	9,52	6,36 - 7,26	137,3
P1252.062-300	15,8 (5/8")	76,2 (3,0")	18,0	31,7	19,0	9,52	6,36 - 7,26	137,3
P1252.062-310	15,8 (5/8")	78,7 (3,1")	18,0	31,7	19,0	9,52	6,36 - 7,26	137,3
P1252.062-320	15,8 (5/8")	81,3 (3,2")	18,0	31,7	19,0	9,52	6,36 - 7,26	137,3
P1252.062-330	15,8 (5/8")	83,8 (3,3")	18,0	31,7	19,0	9,52	6,36 - 7,26	137,3
P1252.062-340	15,8 (5/8")	86,4 (3,4")	18,0	31,7	19,0	9,52	6,36 - 7,26	137,3
P1252.062-360	15,8 (5/8")	91,4 (3,6")	18,0	31,7	19,0	9,52	6,36 - 7,26	137,3
P1252.062-370	15,8 (5/8")	94,0 (3,7")	18,0	31,7	19,0	9,52	6,36 - 7,26	137,3
P1252.062-380	15,8 (5/8")	96,5 (3,8")	18,0	31,7	19,0	9,52	6,36 - 7,26	137,3
P1252.062-390	15,8 (5/8")	99,1 (3,9")	18,0	31,7	19,0	9,52	6,36 - 7,26	137,3
P1252.062-410	15,8 (5/8")	104,1 (4,1")	18,0	31,7	19,0	9,52	6,36 - 7,26	137,3
P1252.062-420	15,8 (5/8")	106,7 (4,2")	18,0	31,7	19,0	9,52	6,36 - 7,26	137,3
P1252.062-430	15,8 (5/8")	109,2 (4,3")	18,0	31,7	19,0	9,52	6,36 - 7,26	137,3
P1252.062-440	15,8 (5/8")	111,8 (4,4")	18,0	31,7	19,0	9,52	6,36 - 7,26	137,3
P1252.062-450	15,8 (5/8")	114,3 (4,5")	18,0	31,7	19,0	9,52	6,36 - 7,26	137,3
P1252.062-460	15,8 (5/8")	116,8 (4,6")	18,0	31,7	19,0	9,52	6,36 - 7,26	137,3
P1252.062-470	15,8 (5/8")	119,4 (4,7")	18,0	31,7	19,0	9,52	6,36 - 7,26	137,3

OTHER PINS



OTHER PINS

Order No.	d ₁ +0.00 -0.08	l ₁ grip +1.5 -0.0	d ₂	d ₃	l ₂	l ₃	Pull out strength kg	Single shear strength kN min.
P1252.062-480	15,8 (5/8")	121,9 (4,8")	18,0	31,7	19,0	9,52	6,36 - 7,26	137,3
P1252.062-490	15,8 (5/8")	124,5 (4,9")	18,0	31,7	19,0	9,52	6,36 - 7,26	137,3
P1252.062-510	15,8 (5/8")	129,5 (5,1")	18,0	31,7	19,0	9,52	6,36 - 7,26	137,3
P1252.062-520	15,8 (5/8")	132,1 (5,2")	18,0	31,7	19,0	9,52	6,36 - 7,26	137,3
P1252.062-530	15,8 (5/8")	134,6 (5,3")	18,0	31,7	19,0	9,52	6,36 - 7,26	137,3
P1252.062-540	15,8 (5/8")	137,2 (5,4")	18,0	31,7	19,0	9,52	6,36 - 7,26	137,3
P1252.062-550	15,8 (5/8")	139,7 (5,5")	18,0	31,7	19,0	9,52	6,36 - 7,26	137,3
P1252.062-560	15,8 (5/8")	142,2 (5,6")	18,0	31,7	19,0	9,52	6,36 - 7,26	137,3
P1252.062-570	15,8 (5/8")	144,8 (5,7")	18,0	31,7	19,0	9,52	6,36 - 7,26	137,3
P1252.062-580	15,8 (5/8")	147,3 (5,8")	18,0	31,7	19,0	9,52	6,36 - 7,26	137,3
P1252.062-590	15,8 (5/8")	149,9 (5,9")	18,0	31,7	19,0	9,52	6,36 - 7,26	137,3
P1252.062-610	15,8 (5/8")	154,9 (6,1")	18,0	31,7	19,0	9,52	6,36 - 7,26	137,3
P1252.062-620	15,8 (5/8")	157,5 (6,2")	18,0	31,7	19,0	9,52	6,36 - 7,26	137,3
P1252.062-630	15,8 (5/8")	160,0 (6,3")	18,0	31,7	19,0	9,52	6,36 - 7,26	137,3
P1252.062-640	15,8 (5/8")	162,6 (6,4")	18,0	31,7	19,0	9,52	6,36 - 7,26	137,3
P1252.062-650	15,8 (5/8")	165,1 (6,5")	18,0	31,7	19,0	9,52	6,36 - 7,26	137,3
P1252.062-660	15,8 (5/8")	167,6 (6,6")	18,0	31,7	19,0	9,52	6,36 - 7,26	137,3
P1252.062-670	15,8 (5/8")	170,2 (6,7")	18,0	31,7	19,0	9,52	6,36 - 7,26	137,3
P1252.062-680	15,8 (5/8")	172,7 (6,8")	18,0	31,7	19,0	9,52	6,36 - 7,26	137,3
P1252.062-690	15,8 (5/8")	175,3 (6,9")	18,0	31,7	19,0	9,52	6,36 - 7,26	137,3
P1252.062-700	15,8 (5/8")	177,8 (7,0")	18,0	31,7	19,0	9,52	6,36 - 7,26	137,3
P1252.062-710	15,8 (5/8")	180,3 (7,1")	18,0	31,7	19,0	9,52	6,36 - 7,26	137,3
P1252.062-720	15,8 (5/8")	182,9 (7,2")	18,0	31,7	19,0	9,52	6,36 - 7,26	137,3
P1252.062-730	15,8 (5/8")	185,4 (7,3")	18,0	31,7	19,0	9,52	6,36 - 7,26	137,3
P1252.062-740	15,8 (5/8")	188,0 (7,4")	18,0	31,7	19,0	9,52	6,36 - 7,26	137,3
P1252.062-750	15,8 (5/8")	190,5 (7,5")	18,0	31,7	19,0	9,52	6,36 - 7,26	137,3
P1252.062-760	15,8 (5/8")	193,0 (7,6")	18,0	31,7	19,0	9,52	6,36 - 7,26	137,3
P1252.062-770	15,8 (5/8")	195,6 (7,7")	18,0	31,7	19,0	9,52	6,36 - 7,26	137,3
P1252.062-780	15,8 (5/8")	198,1 (7,8")	18,0	31,7	19,0	9,52	6,36 - 7,26	137,3
P1252.062-790	15,8 (5/8")	200,7 (7,9")	18,0	31,7	19,0	9,52	6,36 - 7,26	137,3
P1252.062-800	15,8 (5/8")	203,2 (8,0")	18,0	31,7	19,0	9,52	6,36 - 7,26	137,3
P1252.075-100	19,0 (3/4")	25,4 (1,0")	21,7	38,1	23,7	9,52	8,17 - 9,98	195,9
P1252.075-110	19,0 (3/4")	27,9 (1,1")	21,7	38,1	23,7	9,52	8,17 - 9,98	195,9
P1252.075-120	19,0 (3/4")	30,5 (1,2")	21,7	38,1	23,7	9,52	8,17 - 9,98	195,9
P1252.075-130	19,0 (3/4")	33,0 (1,3")	21,7	38,1	23,7	9,52	8,17 - 9,98	195,9
P1252.075-140	19,0 (3/4")	35,6 (1,4")	21,7	38,1	23,7	9,52	8,17 - 9,98	195,9
P1252.075-150	19,0 (3/4")	38,1 (1,5")	21,7	38,1	23,7	9,52	8,17 - 9,98	195,9
P1252.075-160	19,0 (3/4")	40,6 (1,6")	21,7	38,1	23,7	9,52	8,17 - 9,98	195,9
P1252.075-170	19,0 (3/4")	43,2 (1,7")	21,7	38,1	23,7	9,52	8,17 - 9,98	195,9
P1252.075-180	19,0 (3/4")	45,7 (1,8")	21,7	38,1	23,7	9,52	8,17 - 9,98	195,9
P1252.075-190	19,0 (3/4")	48,3 (1,9")	21,7	38,1	23,7	9,52	8,17 - 9,98	195,9
P1252.075-200	19,0 (3/4")	50,8 (2,0")	21,7	38,1	23,7	9,52	8,17 - 9,98	195,9
P1252.075-210	19,0 (3/4")	53,3 (2,1")	21,7	38,1	23,7	9,52	8,17 - 9,98	195,9
P1252.075-220	19,0 (3/4")	55,9 (2,2")	21,7	38,1	23,7	9,52	8,17 - 9,98	195,9
P1252.075-230	19,0 (3/4")	58,4 (2,3")	21,7	38,1	23,7	9,52	8,17 - 9,98	195,9
P1252.075-240	19,0 (3/4")	61,0 (2,4")	21,7	38,1	23,7	9,52	8,17 - 9,98	195,9
P1252.075-260	19,0 (3/4")	66,0 (2,6")	21,7	38,1	23,7	9,52	8,17 - 9,98	195,9
P1252.075-270	19,0 (3/4")	68,6 (2,7")	21,7	38,1	23,7	9,52	8,17 - 9,98	195,9
P1252.075-280	19,0 (3/4")	71,1 (2,8")	21,7	38,1	23,7	9,52	8,17 - 9,98	195,9
P1252.075-290	19,0 (3/4")	73,7 (2,9")	21,7	38,1	23,7	9,52	8,17 - 9,98	195,9
P1252.075-300	19,0 (3/4")	76,2 (3,0")	21,7	38,1	23,7	9,52	8,17 - 9,98	195,9
P1252.075-310	19,0 (3/4")	78,7 (3,1")	21,7	38,1	23,7	9,52	8,17 - 9,98	195,9
P1252.075-320	19,0 (3/4")	81,3 (3,2")	21,7	38,1	23,7	9,52	8,17 - 9,98	195,9
P1252.075-330	19,0 (3/4")	83,8 (3,3")	21,7	38,1	23,7	9,52	8,17 - 9,98	195,9
P1252.075-340	19,0 (3/4")	86,4 (3,4")	21,7	38,1	23,7	9,52	8,17 - 9,98	195,9
P1252.075-350	19,0 (3/4")	88,9 (3,5")	21,7	38,1	23,7	9,52	8,17 - 9,98	195,9
P1252.075-360	19,0 (3/4")	91,4 (3,6")	21,7	38,1	23,7	9,52	8,17 - 9,98	195,9
P1252.075-370	19,0 (3/4")	94,0 (3,7")	21,7	38,1	23,7	9,52	8,17 - 9,98	195,9
P1252.075-380	19,0 (3/4")	96,5 (3,8")	21,7	38,1	23,7	9,52	8,17 - 9,98	195,9
P1252.075-390	19,0 (3/4")	99,1 (3,9")	21,7	38,1	23,7	9,52	8,17 - 9,98	195,9
P1252.075-400	19,0 (3/4")	101,6 (4,0")	21,7	38,1	23,7	9,52	8,17 - 9,98	195,9
P1252.075-410	19,0 (3/4")	104,1 (4,1")	21,7	38,1	23,7	9,52	8,17 - 9,98	195,9
P1252.075-420	19,0 (3/4")	106,7 (4,2")	21,7	38,1	23,7	9,52	8,17 - 9,98	195,9
P1252.075-430	19,0 (3/4")	109,2 (4,3")	21,7	38,1	23,7	9,52	8,17 - 9,98	195,9
P1252.075-440	19,0 (3/4")	111,8 (4,4")	21,7	38,1	23,7	9,52	8,17 - 9,98	195,9
P1252.075-450	19,0 (3/4")	114,3 (4,5")	21,7	38,1	23,7	9,52	8,17 - 9,98	195,9
P1252.075-460	19,0 (3/4")	116,8 (4,6")	21,7	38,1	23,7	9,52	8,17 - 9,98	195,9



Detent Pin Stainless Steel



Other Pins

Order No.	d ₁ +0.00 -0.08	l ₁ grip +1.5 -0.0	d ₂	d ₃	l ₂	l ₃	Pull out strength kg	Single shear strength kN min.
P1252.075-470	19,0 (3/4")	119,4 (4,7")	21.7	38.1	23.7	9.52	8,17 - 9,98	195.9
P1252.075-480	19,0 (3/4")	121,9 (4,8")	21.7	38.1	23.7	9.52	8,17 - 9,98	195.9
P1252.075-490	19,0 (3/4")	124,5 (4,9")	21.7	38.1	23.7	9.52	8,17 - 9,98	195.9
P1252.075-500	19,0 (3/4")	127,0 (5,0")	21.7	38.1	23.7	9.52	8,17 - 9,98	195.9
P1252.075-510	19,0 (3/4")	129,5 (5,1")	21.7	38.1	23.7	9.52	8,17 - 9,98	195.9
P1252.075-520	19,0 (3/4")	132,1 (5,2")	21.7	38.1	23.7	9.52	8,17 - 9,98	195.9
P1252.075-530	19,0 (3/4")	134,6 (5,3")	21.7	38.1	23.7	9.52	8,17 - 9,98	195.9
P1252.075-540	19,0 (3/4")	137,2 (5,4")	21.7	38.1	23.7	9.52	8,17 - 9,98	195.9
P1252.075-550	19,0 (3/4")	139,7 (5,5")	21.7	38.1	23.7	9.52	8,17 - 9,98	195.9
P1252.075-560	19,0 (3/4")	142,2 (5,6")	21.7	38.1	23.7	9.52	8,17 - 9,98	195.9
P1252.075-570	19,0 (3/4")	144,8 (5,7")	21.7	38.1	23.7	9.52	8,17 - 9,98	195.9
P1252.075-580	19,0 (3/4")	147,3 (5,8")	21.7	38.1	23.7	9.52	8,17 - 9,98	195.9
P1252.075-590	19,0 (3/4")	149,9 (5,9")	21.7	38.1	23.7	9.52	8,17 - 9,98	195.9
P1252.075-600	19,0 (3/4")	152,4 (6,0")	21.7	38.1	23.7	9.52	8,17 - 9,98	195.9
P1252.075-610	19,0 (3/4")	154,9 (6,1")	21.7	38.1	23.7	9.52	8,17 - 9,98	195.9
P1252.075-620	19,0 (3/4")	157,5 (6,2")	21.7	38.1	23.7	9.52	8,17 - 9,98	195.9
P1252.075-630	19,0 (3/4")	160,0 (6,3")	21.7	38.1	23.7	9.52	8,17 - 9,98	195.9
P1252.075-640	19,0 (3/4")	162,6 (6,4")	21.7	38.1	23.7	9.52	8,17 - 9,98	195.9
P1252.075-650	19,0 (3/4")	165,1 (6,5")	21.7	38.1	23.7	9.52	8,17 - 9,98	195.9
P1252.075-660	19,0 (3/4")	167,6 (6,6")	21.7	38.1	23.7	9.52	8,17 - 9,98	195.9
P1252.075-670	19,0 (3/4")	170,2 (6,7")	21.7	38.1	23.7	9.52	8,17 - 9,98	195.9
P1252.075-680	19,0 (3/4")	172,7 (6,8")	21.7	38.1	23.7	9.52	8,17 - 9,98	195.9
P1252.075-690	19,0 (3/4")	175,3 (6,9")	21.7	38.1	23.7	9.52	8,17 - 9,98	195.9
P1252.075-700	19,0 (3/4")	177,8 (7,0")	21.7	38.1	23.7	9.52	8,17 - 9,98	195.9
P1252.075-710	19,0 (3/4")	180,3 (7,1")	21.7	38.1	23.7	9.52	8,17 - 9,98	195.9
P1252.075-720	19,0 (3/4")	182,9 (7,2")	21.7	38.1	23.7	9.52	8,17 - 9,98	195.9
P1252.075-730	19,0 (3/4")	185,4 (7,3")	21.7	38.1	23.7	9.52	8,17 - 9,98	195.9
P1252.075-740	19,0 (3/4")	188,0 (7,4")	21.7	38.1	23.7	9.52	8,17 - 9,98	195.9
P1252.075-750	19,0 (3/4")	190,5 (7,5")	21.7	38.1	23.7	9.52	8,17 - 9,98	195.9
P1252.075-760	19,0 (3/4")	193,0 (7,6")	21.7	38.1	23.7	9.52	8,17 - 9,98	195.9
P1252.075-770	19,0 (3/4")	195,6 (7,7")	21.7	38.1	23.7	9.52	8,17 - 9,98	195.9
P1252.075-780	19,0 (3/4")	198,1 (7,8")	21.7	38.1	23.7	9.52	8,17 - 9,98	195.9
P1252.075-790	19,0 (3/4")	200,7 (7,9")	21.7	38.1	23.7	9.52	8,17 - 9,98	195.9
P1252.087-100	22,2 (7/8")	25,4 (1,0")	25.2	38.1	25.4	12.7	12,71 - 14,07	262.4
P1252.087-150	22,2 (7/8")	38,1 (1,5")	25.2	38.1	25.4	12.7	12,71 - 14,07	262.4
P1252.087-200	22,2 (7/8")	50,8 (2,0")	25.2	38.1	25.4	12.7	12,71 - 14,07	262.4
P1252.087-250	22,2 (7/8")	63,5 (2,5")	25.2	38.1	25.4	12.7	12,71 - 14,07	262.4
P1252.087-300	22,2 (7/8")	76,2 (3,0")	25.2	38.1	25.4	12.7	12,71 - 14,07	262.4
P1252.087-350	22,2 (7/8")	88,9 (3,5")	25.2	38.1	25.4	12.7	12,71 - 14,07	262.4
P1252.087-400	22,2 (7/8")	101,6 (4,0")	25.2	38.1	25.4	12.7	12,71 - 14,07	262.4
P1252.087-450	22,2 (7/8")	114,3 (4,5")	25.2	38.1	25.4	12.7	12,71 - 14,07	262.4
P1252.087-500	22,2 (7/8")	127,0 (5,0")	25.2	38.1	25.4	12.7	12,71 - 14,07	262.4
P1252.087-550	22,2 (7/8")	139,7 (5,5")	25.2	38.1	25.4	12.7	12,71 - 14,07	262.4
P1252.087-600	22,2 (7/8")	152,4 (6,0")	25.2	38.1	25.4	12.7	12,71 - 14,07	262.4
P1252.087-650	22,2 (7/8")	165,1 (6,5")	25.2	38.1	25.4	12.7	12,71 - 14,07	262.4
P1252.087-700	22,2 (7/8")	177,8 (7,0")	25.2	38.1	25.4	12.7	12,71 - 14,07	262.4
P1252.087-800	22,2 (7/8")	203,2 (8,0")	25.2	38.1	25.4	12.7	12,71 - 14,07	262.4
P1252.100-100	25,4 (1")	25,4 (1,0")	28.9	38.1	31.7	12.7	15,88 - 18,15	353.0
P1252.100-110	25,4 (1")	27,9 (1,1")	28.9	38.1	31.7	12.7	15,88 - 18,15	353.0
P1252.100-120	25,4 (1")	30,5 (1,2")	28.9	38.1	31.7	12.7	15,88 - 18,15	353.0
P1252.100-130	25,4 (1")	33,0 (1,3")	28.9	38.1	31.7	12.7	15,88 - 18,15	353.0
P1252.100-140	25,4 (1")	35,6 (1,4")	28.9	38.1	31.7	12.7	15,88 - 18,15	353.0
P1252.100-150	25,4 (1")	38,1 (1,5")	28.9	38.1	31.7	12.7	15,88 - 18,15	353.0
P1252.100-160	25,4 (1")	40,6 (1,6")	28.9	38.1	31.7	12.7	15,88 - 18,15	353.0
P1252.100-170	25,4 (1")	43,2 (1,7")	28.9	38.1	31.7	12.7	15,88 - 18,15	353.0
P1252.100-180	25,4 (1")	45,7 (1,8")	28.9	38.1	31.7	12.7	15,88 - 18,15	353.0
P1252.100-190	25,4 (1")	48,3 (1,9")	28.9	38.1	31.7	12.7	15,88 - 18,15	353.0
P1252.100-200	25,4 (1")	50,8 (2,0")	28.9	38.1	31.7	12.7	15,88 - 18,15	353.0
P1252.100-210	25,4 (1")	53,3 (2,1")	28.9	38.1	31.7	12.7	15,88 - 18,15	353.0
P1252.100-220	25,4 (1")	55,9 (2,2")	28.9	38.1	31.7	12.7	15,88 - 18,15	353.0
P1252.100-230	25,4 (1")	58,4 (2,3")	28.9	38.1	31.7	12.7	15,88 - 18,15	353.0
P1252.100-240	25,4 (1")	61,0 (2,4")	28.9	38.1	31.7	12.7	15,88 - 18,15	353.0
P1252.100-250	25,4 (1")	63,5 (2,5")	28.9	38.1	31.7	12.7	15,88 - 18,15	353.0
P1252.100-260	25,4 (1")	66,0 (2,6")	28.9	38.1	31.7	12.7	15,88 - 18,15	353.0
P1252.100-270	25,4 (1")	68,6 (2,7")	28.9	38.1	31.7	12.7	15,88 - 18,15	353.0
P1252.100-280	25,4 (1")	71,1 (2,8")	28.9	38.1	31.7	12.7	15,88 - 18,15	353.0
P1252.100-290	25,4 (1")	73,7 (2,9")	28.9	38.1	31.7	12.7	15,88 - 18,15	353.0

OTHER PINS



Order No.	d ₁ +0.00 -0.08	l ₁ grip +1.5 -0.0	d ₂	d ₃	l ₂	l ₃	Pull out strength kg	Single shear strength kN min.
P1252.100-300	25,4 (1")	76,2 (3,0")	28,9	38,1	31,7	12,7	15,88 - 18,15	353,0
P1252.100-310	25,4 (1")	78,7 (3,1")	28,9	38,1	31,7	12,7	15,88 - 18,15	353,0
P1252.100-320	25,4 (1")	81,3 (3,2")	28,9	38,1	31,7	12,7	15,88 - 18,15	353,0
P1252.100-330	25,4 (1")	83,8 (3,3")	28,9	38,1	31,7	12,7	15,88 - 18,15	353,0
P1252.100-340	25,4 (1")	86,4 (3,4")	28,9	38,1	31,7	12,7	15,88 - 18,15	353,0
P1252.100-350	25,4 (1")	88,9 (3,5")	28,9	38,1	31,7	12,7	15,88 - 18,15	353,0
P1252.100-360	25,4 (1")	91,4 (3,6")	28,9	38,1	31,7	12,7	15,88 - 18,15	353,0
P1252.100-370	25,4 (1")	94,0 (3,7")	28,9	38,1	31,7	12,7	15,88 - 18,15	353,0
P1252.100-380	25,4 (1")	96,5 (3,8")	28,9	38,1	31,7	12,7	15,88 - 18,15	353,0
P1252.100-390	25,4 (1")	99,1 (3,9")	28,9	38,1	31,7	12,7	15,88 - 18,15	353,0
P1252.100-400	25,4 (1")	101,6 (4,0")	28,9	38,1	31,7	12,7	15,88 - 18,15	353,0
P1252.100-410	25,4 (1")	104,1 (4,1")	28,9	38,1	31,7	12,7	15,88 - 18,15	353,0
P1252.100-420	25,4 (1")	106,7 (4,2")	28,9	38,1	31,7	12,7	15,88 - 18,15	353,0
P1252.100-430	25,4 (1")	109,2 (4,3")	28,9	38,1	31,7	12,7	15,88 - 18,15	353,0
P1252.100-440	25,4 (1")	111,8 (4,4")	28,9	38,1	31,7	12,7	15,88 - 18,15	353,0
P1252.100-450	25,4 (1")	114,3 (4,5")	28,9	38,1	31,7	12,7	15,88 - 18,15	353,0
P1252.100-460	25,4 (1")	116,8 (4,6")	28,9	38,1	31,7	12,7	15,88 - 18,15	353,0
P1252.100-470	25,4 (1")	119,4 (4,7")	28,9	38,1	31,7	12,7	15,88 - 18,15	353,0
P1252.100-480	25,4 (1")	121,9 (4,8")	28,9	38,1	31,7	12,7	15,88 - 18,15	353,0
P1252.100-490	25,4 (1")	124,5 (4,9")	28,9	38,1	31,7	12,7	15,88 - 18,15	353,0
P1252.100-500	25,4 (1")	127,0 (5,0")	28,9	38,1	31,7	12,7	15,88 - 18,15	353,0
P1252.100-510	25,4 (1")	129,5 (5,1")	28,9	38,1	31,7	12,7	15,88 - 18,15	353,0
P1252.100-520	25,4 (1")	132,1 (5,2")	28,9	38,1	31,7	12,7	15,88 - 18,15	353,0
P1252.100-530	25,4 (1")	134,6 (5,3")	28,9	38,1	31,7	12,7	15,88 - 18,15	353,0
P1252.100-540	25,4 (1")	137,2 (5,4")	28,9	38,1	31,7	12,7	15,88 - 18,15	353,0
P1252.100-550	25,4 (1")	139,7 (5,5")	28,9	38,1	31,7	12,7	15,88 - 18,15	353,0
P1252.100-560	25,4 (1")	142,2 (5,6")	28,9	38,1	31,7	12,7	15,88 - 18,15	353,0
P1252.100-570	25,4 (1")	144,8 (5,7")	28,9	38,1	31,7	12,7	15,88 - 18,15	353,0
P1252.100-580	25,4 (1")	147,3 (5,8")	28,9	38,1	31,7	12,7	15,88 - 18,15	353,0
P1252.100-590	25,4 (1")	149,9 (5,9")	28,9	38,1	31,7	12,7	15,88 - 18,15	353,0
P1252.100-600	25,4 (1")	152,4 (6,0")	28,9	38,1	31,7	12,7	15,88 - 18,15	353,0
P1252.100-610	25,4 (1")	154,9 (6,1")	28,9	38,1	31,7	12,7	15,88 - 18,15	353,0
P1252.100-620	25,4 (1")	157,5 (6,2")	28,9	38,1	31,7	12,7	15,88 - 18,15	353,0
P1252.100-630	25,4 (1")	160,0 (6,3")	28,9	38,1	31,7	12,7	15,88 - 18,15	353,0
P1252.100-640	25,4 (1")	162,6 (6,4")	28,9	38,1	31,7	12,7	15,88 - 18,15	353,0
P1252.100-650	25,4 (1")	165,1 (6,5")	28,9	38,1	31,7	12,7	15,88 - 18,15	353,0
P1252.100-660	25,4 (1")	167,6 (6,6")	28,9	38,1	31,7	12,7	15,88 - 18,15	353,0
P1252.100-670	25,4 (1")	170,2 (6,7")	28,9	38,1	31,7	12,7	15,88 - 18,15	353,0
P1252.100-680	25,4 (1")	172,7 (6,8")	28,9	38,1	31,7	12,7	15,88 - 18,15	353,0
P1252.100-690	25,4 (1")	175,3 (6,9")	28,9	38,1	31,7	12,7	15,88 - 18,15	353,0
P1252.100-700	25,4 (1")	177,8 (7,0")	28,9	38,1	31,7	12,7	15,88 - 18,15	353,0
P1252.100-710	25,4 (1")	180,3 (7,1")	28,9	38,1	31,7	12,7	15,88 - 18,15	353,0
P1252.100-720	25,4 (1")	182,9 (7,2")	28,9	38,1	31,7	12,7	15,88 - 18,15	353,0
P1252.100-730	25,4 (1")	185,4 (7,3")	28,9	38,1	31,7	12,7	15,88 - 18,15	353,0
P1252.100-740	25,4 (1")	188,0 (7,4")	28,9	38,1	31,7	12,7	15,88 - 18,15	353,0
P1252.100-750	25,4 (1")	190,5 (7,5")	28,9	38,1	31,7	12,7	15,88 - 18,15	353,0
P1252.100-760	25,4 (1")	193,0 (7,6")	28,9	38,1	31,7	12,7	15,88 - 18,15	353,0
P1252.100-770	25,4 (1")	195,6 (7,7")	28,9	38,1	31,7	12,7	15,88 - 18,15	353,0
P1252.100-780	25,4 (1")	198,1 (7,8")	28,9	38,1	31,7	12,7	15,88 - 18,15	353,0
P1252.100-790	25,4 (1")	200,7 (7,9")	28,9	38,1	31,7	12,7	15,88 - 18,15	353,0
P1252.100-800	25,4 (1")	203,2 (8,0")	28,9	38,1	31,7	12,7	15,88 - 18,15	353,0

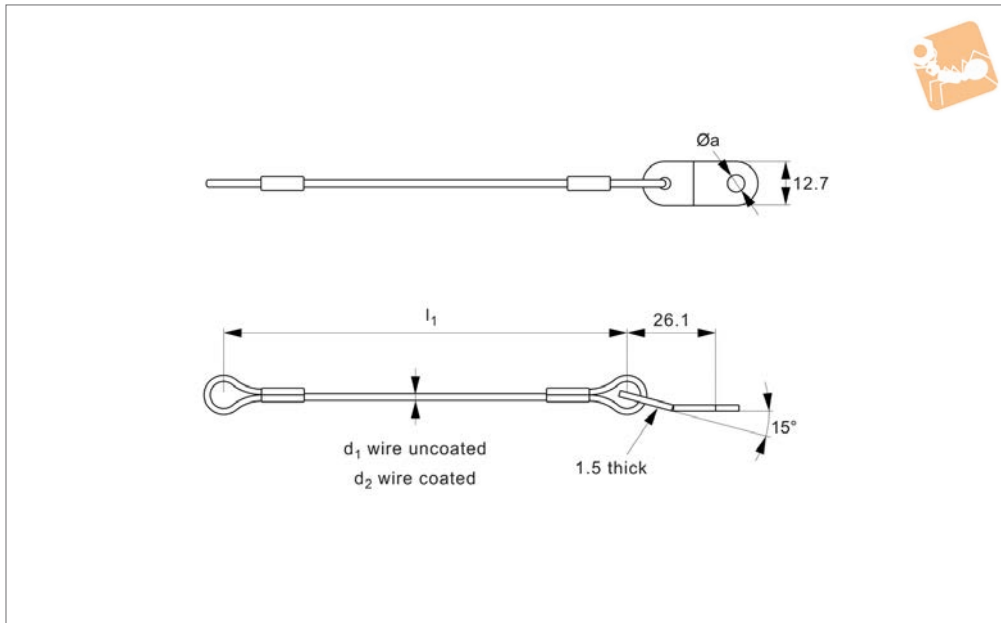


Lanyard - Loop to Rectangular Tab

tab and crimps stainless steel



Other Pins



P1254

OTHER PINS

Material

Material

Wire rope: stainless steel 7x7 wire, RR-W-410.

Coating (if present): vinyl (to MIL-I-631), see table.

Crimps/sleeves: stainless steel (to MIL-51844).

Tabs: stainless steel, 300 Series (ASTM AA240/A666)

Technical Notes

Rated wire strength, or min. breaking

strength, for unassembled, uncoated wire thickness $\text{Ø}d_1$:

$\text{Ø}d_1$ of 1.2mm = 120kg approx.

$\text{Ø}d_1$ of 1.6mm = 210kg approx.

Load rating of assembled and crimped lanyard is based on crimp failure test of approx. 13kg.

Temperature resistance:

-Uncoated – up to + 250°c

-Coated – 0°c to 80°c

Tips

For use in securing components to assemb-

lies, or to avoid items being misplaced.

Special manufacture lanyards available on request, subject to minimum quantities.

For our wide range of quick release pins see part nos. through QR5590. For split rings see part no. .

Order No.	Vinyl coating	d_1 wire uncoated	l_1	d_2 wire coated	$\text{Ø} a$
P1254.150-C1	Clear	1.19	154.4	1.59	5.1
P1254.200-C1	Clear	1.19	203.2	1.59	5.1
P1254.250-C1	Clear	1.19	254.0	1.59	5.1
P1254.300-C1	Clear	1.19	304.8	1.59	5.1
P1254.150-C2	Clear	1.19	152.4	1.59	7.1
P1254.200-C2	Clear	1.59	203.2	3.18	7.1
P1254.250-C2	Clear	1.59	254.0	3.18	7.1
P1254.300-C2	Clear	1.59	304.8	3.18	7.1
P1254.150-B1	Black	1.19	152.4	1.59	5.1
P1254.200-B1	Black	1.19	203.2	1.59	5.1
P1254.250-B1	Black	1.19	254.0	1.59	5.1
P1254.300-B1	Black	1.19	304.8	1.59	5.1
P1254.150-B2	Black	1.59	152.4	3.18	7.1
P1254.200-B2	Black	1.59	203.2	3.18	7.1
P1254.250-B2	Black	1.59	254.0	3.18	7.1
P1254.150-G1	Green	1.19	152.4	1.59	5.1
P1254.200-G1	Green	1.19	203.2	1.59	5.1
P1254.250-G1	Green	1.19	254.0	1.59	5.1
P1254.300-G1	Green	1.19	304.8	1.59	5.1
P1254.150-G2	Green	1.59	152.4	3.18	7.1
P1254.200-G2	Green	1.59	203.2	3.18	7.1
P1254.250-G2	Green	1.59	254.0	3.18	7.1
P1254.300-G2	Green	1.59	304.8	3.18	7.1
P1254.150-N1	Uncoated	1.19	152.4	-	5.1
P1254.200-N1	Uncoated	1.19	203.2	-	5.1

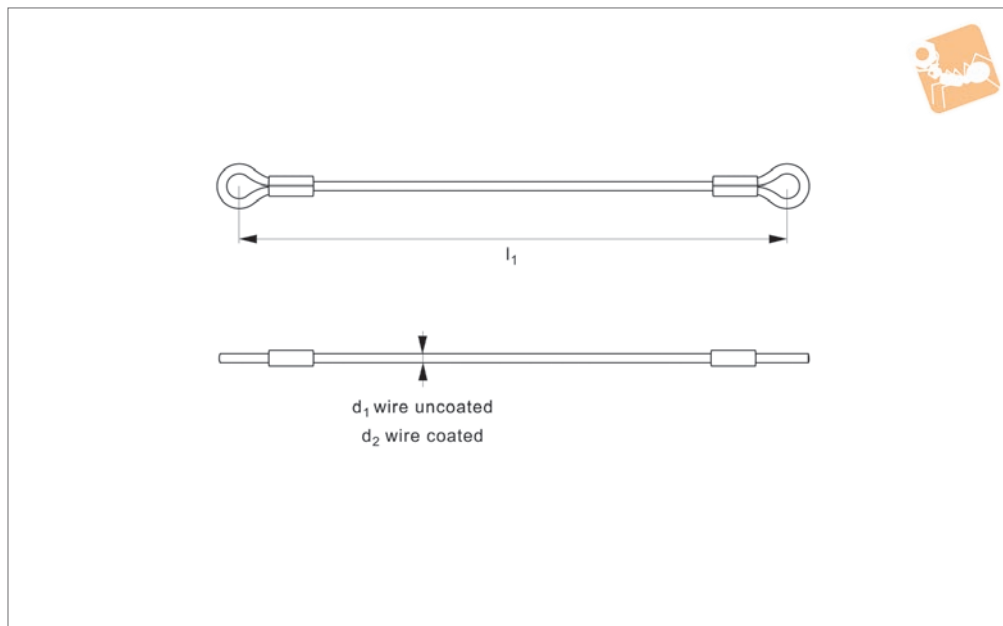


Order No.	Vinyl coating	d ₁ wire uncoated	l ₁	d ₂ wire coated	Ø a
P1254.250-N1	Uncoated	1.19	254.0	-	5.1
P1254.300-N1	Uncoated	1.19	304.8	-	5.1
P1254.150-N2	Uncoated	1.59	152.4	-	7.1
P1254.200-N2	Uncoated	1.59	203.2	-	7.1
P1254.300-N2	Uncoated	1.59	304.8	-	7.1



Lanyard - Loop to Loop

crimps stainless steel



P1255

OTHER PINS

Material

Wire rope: stainless steel 7x7 wire, RR-W-410.

Coating (if present): vinyl (to MIL-I-631), see table.

Crimps/sleeves: stainless steel (to MIL-51844).

Technical Notes

Rated wire strength, or min. breaking

strength, for unassembled, uncoated wire thickness $\varnothing d_1$:

$\varnothing d_1$ of 1.2mm = 120kg approx.

$\varnothing d_1$ of 1.6mm = 210kg approx.

Load rating of assembled and crimped lanyard is based on crimp failure test of approx. 13kg.

Temperature resistance:

-Uncoated – up to + 250°C

-Coated – 0°C to 80°C

Tips

For use in securing components to assemblies, or to avoid items being misplaced. Special manufacture lanyards available on request, subject to minimum quantities. For our wide range of quick release pins see part nos. through QR5590. For split rings see part no. .

Order No.	Vinyl coating	d_1 wire uncoated	l_1	d_2 wire coated
P1255.150-C1	Clear	1.19	152.4	1.59
P1255.200-C1	Clear	1.19	203.2	1.59
P1255.250-C1	Clear	1.19	254.0	1.59
P1255.300-C1	Clear	1.19	304.8	1.59
P1255.150-C2	Clear	1.59	152.4	3.18
P1255.200-C2	Clear	1.59	203.2	3.18
P1255.250-C2	Clear	1.59	254.0	3.18
P1255.300-C2	Clear	1.59	304.8	3.18
P1255.150-B1	Black	1.19	152.4	1.59
P1255.200-B1	Black	1.19	203.2	1.59
P1255.250-B1	Black	1.19	254.0	1.59
P1255.300-B1	Black	1.19	304.8	1.59
P1255.150-B2	Black	1.59	152.4	3.18
P1255.200-B2	Black	1.59	203.2	3.18
P1255.250-B2	Black	1.59	254.0	3.18
P1255.150-G1	Green	1.19	152.4	1.59
P1255.200-G1	Green	1.19	203.2	1.59
P1255.250-G1	Green	1.19	254.0	1.59
P1255.300-G1	Green	1.19	304.8	1.59
P1255.150-G2	Green	1.59	152.4	3.18
P1255.200-G2	Green	1.59	203.2	3.18
P1255.250-G2	Green	1.59	254.0	3.18
P1255.300-G2	Green	1.59	304.8	3.18
P1255.150-N1	Uncoated	1.19	152.4	-
P1255.200-N1	Uncoated	1.19	203.2	-
P1255.250-N1	Uncoated	1.19	254.0	-
P1255.300-N1	Uncoated	1.19	304.8	-
P1255.150-N2	Uncoated	1.59	152.4	-

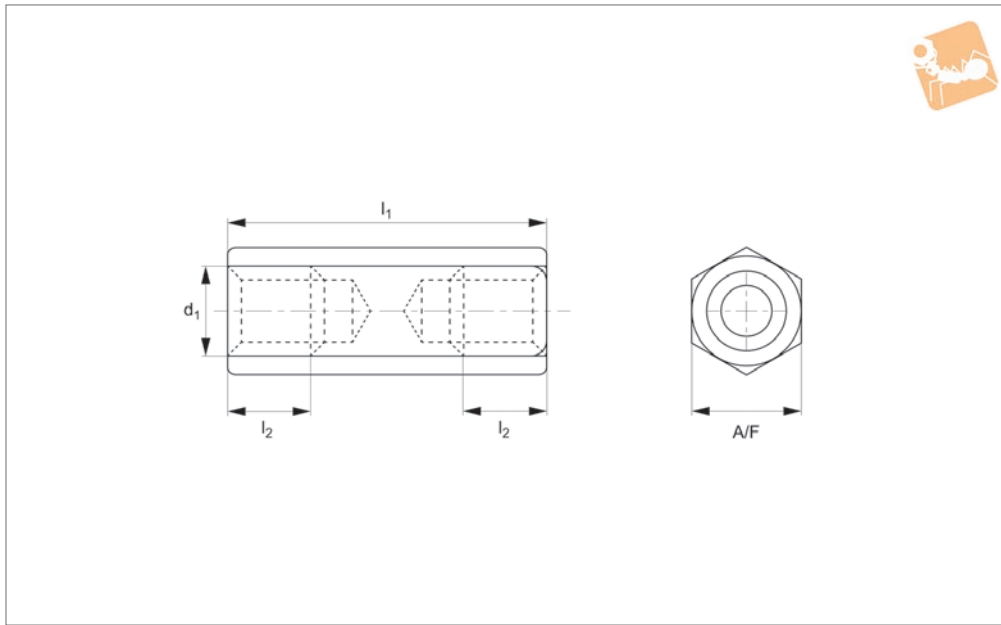
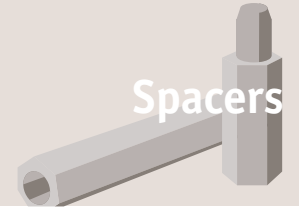


Order No.	Vinyl coating	d ₁ wire uncoated	l ₁	d ₂ wire coated
P1255.200-N2	Uncoated	1.59	203.2	-
P1255.250-N2	Uncoated	1.59	254.0	-
P1255.300-N2	Uncoated	1.59	304.8	-



Steel Hexagonal Spacers

Steel - zinc-plated



P0060.ZP

SPACERS

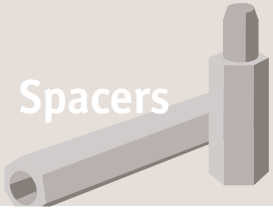
Material

Mild steel (S300Pb), zinc-plated.

Technical Notes

$l_3 = (l_2 + 1\text{mm})$.

Order No.	d ₁	l ₁ tol. js13	l ₂	A/F
P0060.025-005-ZP	M2,5	5	5	5
P0060.025-008-ZP	M2,5	8	4	5
P0060.025-010-ZP	M2,5	10	5	5
P0060.025-012-ZP	M2,5	12	6	5
P0060.025-015-ZP	M2,5	15	6	5
P0060.025-018-ZP	M2,5	18	6	5
P0060.025-020-ZP	M2,5	20	6	5
P0060.025-025-ZP	M2,5	25	6	5
P0060.025-030-ZP	M2,5	30	6	5
P0060.025-040-ZP	M2,5	40	6	5
P0060.030-005-ZP	M3	5	5	5.5
P0060.030-008-ZP	M3	8	8	5.5
P0060.030-010-ZP	M3	10	10	5.5
P0060.030-012-ZP	M3	12	6	5.5
P0060.030-015-ZP	M3	15	7	5.5
P0060.030-018-ZP	M3	18	7	5.5
P0060.030-020-ZP	M3	20	7	5.5
P0060.030-025-ZP	M3	25	7	5.5
P0060.030-030-ZP	M3	30	7	5.5
P0060.030-035-ZP	M3	35	7	5.5
P0060.030-040-ZP	M3	40	7	5.5
P0060.030-045-ZP	M3	45	7	5.5
P0060.030-050-ZP	M3	50	7	5.5
P0060.030-055-ZP	M3	55	7	5.5
P0060.030-060-ZP	M3	60	7	5.5
P0060.030-070-ZP	M3	70	7	5.5
P0060.030-080-ZP	M3	80	7	5.5
P0060.040-006-ZP	M4	6	6	7
P0060.040-008-ZP	M4	8	8	7
P0060.040-010-ZP	M4	10	10	7
P0060.040-012-ZP	M4	12	12	7
P0060.040-015-ZP	M4	15	7	7
P0060.040-018-ZP	M4	18	9	7
P0060.040-020-ZP	M4	20	9	7



Steel Hexagonal Spacers

Steel - zinc-plated



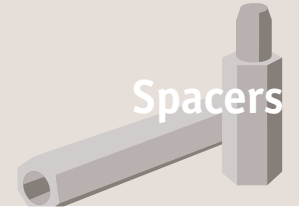
SPACERS

Order No.	d ₁	l ₁ tol. js13	l ₂	A/F
P0060.040-025-ZP	M4	25	9	7
P0060.040-030-ZP	M4	30	9	7
P0060.040-035-ZP	M4	35	9	7
P0060.040-040-ZP	M4	40	9	7
P0060.040-045-ZP	M4	45	9	7
P0060.040-050-ZP	M4	50	9	7
P0060.040-055-ZP	M4	55	9	7
P0060.040-060-ZP	M4	60	9	7
P0060.040-070-ZP	M4	70	9	7
P0060.050-008-ZP	M5	8	8	8
P0060.050-010-ZP	M5	10	10	8
P0060.050-012-ZP	M5	12	12	8
P0060.050-015-ZP	M5	15	15	8
P0060.050-018-ZP	M5	18	18	8
P0060.050-020-ZP	M5	20	10	8
P0060.050-025-ZP	M5	25	10	8
P0060.050-030-ZP	M5	30	10	8
P0060.050-035-ZP	M5	35	10	8
P0060.050-040-ZP	M5	40	10	8
P0060.050-045-ZP	M5	45	10	8
P0060.050-050-ZP	M5	50	10	8
P0060.050-055-ZP	M5	55	10	8
P0060.050-060-ZP	M5	60	10	8
P0060.050-070-ZP	M5	70	10	8
P0060.050-080-ZP	M5	80	10	8
P0060.060-010-ZP	M6	10	10	10
P0060.060-012-ZP	M6	12	12	10
P0060.060-015-ZP	M6	15	15	10
P0060.060-018-ZP	M6	18	18	10
P0060.060-020-ZP	M6	20	10	10
P0060.060-025-ZP	M6	25	10	10
P0060.060-030-ZP	M6	30	10	10
P0060.060-035-ZP	M6	35	10	10
P0060.060-040-ZP	M6	40	10	10
P0060.060-045-ZP	M6	45	10	10
P0060.060-050-ZP	M6	50	10	10
P0060.060-055-ZP	M6	55	10	10
P0060.060-060-ZP	M6	60	10	10
P0060.080-010-ZP	M8	10	10	13
P0060.080-015-ZP	M8	15	15	13
P0060.080-020-ZP	M8	20	20	13
P0060.080-025-ZP	M8	25	25	13
P0060.080-030-ZP	M8	30	15	13
P0060.080-035-ZP	M8	35	15	13
P0060.080-040-ZP	M8	40	15	13
P0060.080-045-ZP	M8	45	15	13
P0060.080-050-ZP	M8	50	15	13
P0060.080-060-ZP	M8	60	15	13
P0060.080-070-ZP	M8	70	15	13

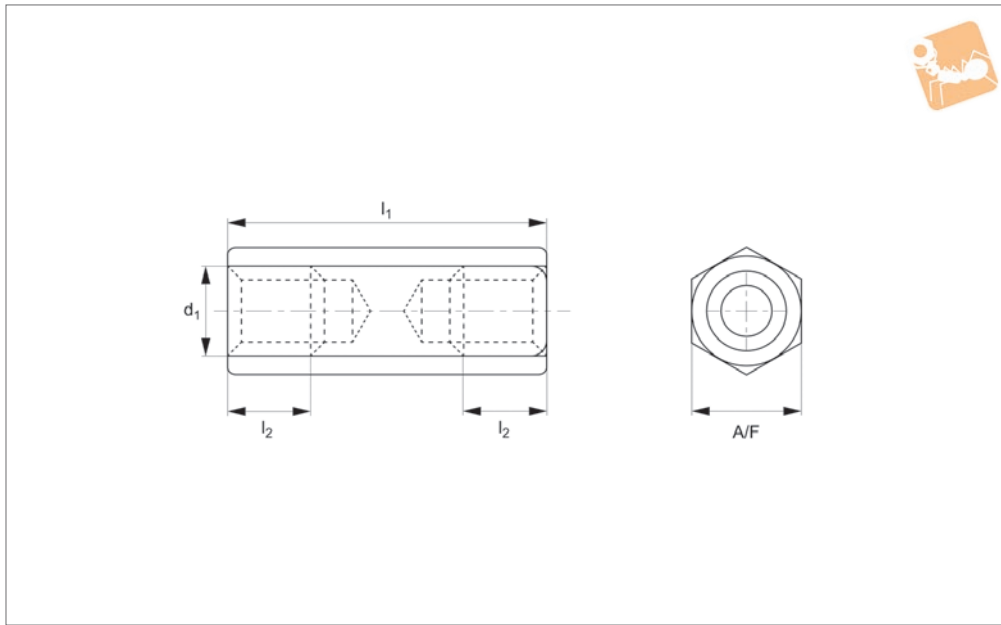


Stainless Hexagonal Spacers

303 stainless



Spacers



P0060.A2

SPACERS

Material

Stainless steel (AISI 303, 1.4305)

Technical Notes

Slightly magnetic.

$l_3 = (l_2 + >1\text{mm})$.

Order No.	d ₁	l ₁ tol. js13	l ₂	A/F
P0060.025-005-A2	M2,5	5	5	5
P0060.025-010-A2	M2,5	10	5	5
P0060.025-012-A2	M2,5	12	6	5
P0060.025-015-A2	M2,5	15	6	5
P0060.025-018-A2	M2,5	18	6	5
P0060.025-020-A2	M2,5	20	6	5
P0060.025-025-A2	M2,5	25	6	5
P0060.030-005-A2	M3	5	5	5.5
P0060.030-008-A2	M3	8	8	5.5
P0060.030-010-A2	M3	10	10	5.5
P0060.030-012-A2	M3	12	6	5.5
P0060.030-015-A2	M3	15	7	5.5
P0060.030-018-A2	M3	18	7	5.5
P0060.030-020-A2	M3	20	7	5.5
P0060.030-025-A2	M3	25	7	5.5
P0060.030-030-A2	M3	30	7	5.5
P0060.030-035-A2	M3	35	7	5.5
P0060.030-040-A2	M3	40	7	5.5
P0060.030-045-A2	M3	45	7	5.5
P0060.040-005-A2	M4	5	5	7
P0060.040-010-A2	M4	10	10	7
P0060.040-015-A2	M4	15	7	7
P0060.040-020-A2	M4	20	9	7
P0060.040-025-A2	M4	25	9	7
P0060.040-030-A2	M4	30	9	7
P0060.040-035-A2	M4	35	9	7
P0060.040-040-A2	M4	40	9	7
P0060.040-045-A2	M4	45	9	7
P0060.040-050-A2	M4	50	9	7
P0060.040-060-A2	M4	60	9	7
P0060.040-070-A2	M4	70	9	7
P0060.040-080-A2	M4	80	9	7
P0060.050-010-A2	M5	10	10	8
P0060.050-015-A2	M5	15	15	8



Stainless Hexagonal Spacers

303 stainless



SPACERS

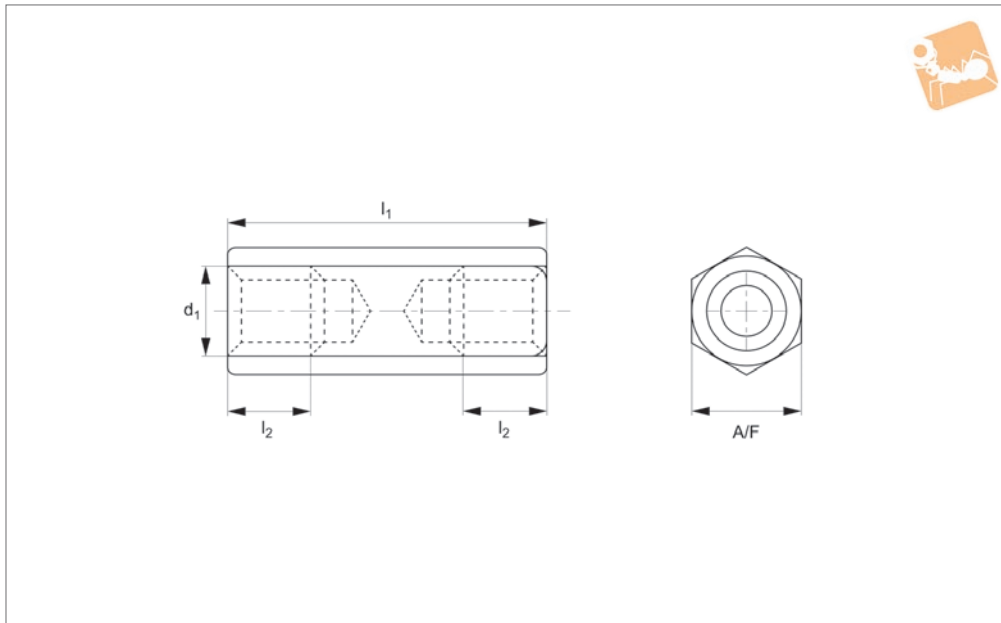
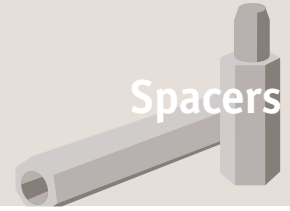
Order No.	d ₁	l ₁ tol. js13	l ₂	A/F
P0060.050-020-A2	M5	20	10	8
P0060.050-025-A2	M5	25	10	8
P0060.050-030-A2	M5	30	10	8
P0060.050-035-A2	M5	35	10	8
P0060.050-040-A2	M5	40	10	8
P0060.050-050-A2	M5	50	10	8
P0060.050-080-A2	M5	80	10	8
P0060.060-010-A2	M6	10	10	10
P0060.060-015-A2	M6	15	15	10
P0060.060-020-A2	M6	20	10	10
P0060.060-025-A2	M6	25	10	10
P0060.060-030-A2	M6	30	10	10
P0060.060-035-A2	M6	35	10	10
P0060.060-040-A2	M6	40	10	10
P0060.060-050-A2	M6	50	10	10
P0060.060-055-A2	M6	55	10	10
P0060.060-065-A2	M6	65	10	10



Brass Hexagonal Spacers

Brass

Spacers



P0060.BR

SPACERS

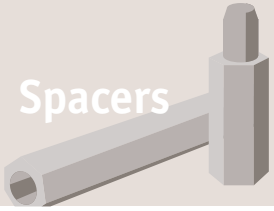
Material

Brass (2.0402), bright nickel-plated.

Technical Notes

$l_3 = (l_2 + >1\text{mm})$.

Order No.	d ₁	l ₁ tol. js13	l ₂	A/F
P0060.020-005-BR	M2	5	5	4
P0060.020-008-BR	M2	8	8	4
P0060.020-010-BR	M2	10	10	4
P0060.020-012-BR	M2	12	6	4
P0060.020-015-BR	M2	15	6	4
P0060.020-018-BR	M2	18	5	4
P0060.020-020-BR	M2	20	6	4
P0060.020-025-BR	M2	25	6	4
P0060.020-030-BR	M2	30	6	4
P0060.020-035-BR	M2	35	10	4
P0060.020-040-BR	M2	40	10	4
P0060.020-045-BR	M2	45	10	4
P0060.025-005-BR	M2,5	5	5	5
P0060.025-008-BR	M2,5	8	4	5
P0060.025-010-BR	M2,5	10	5	5
P0060.025-012-BR	M2,5	12	6	5
P0060.025-015-BR	M2,5	15	6	5
P0060.025-018-BR	M2,5	18	6	5
P0060.025-020-BR	M2,5	20	6	5
P0060.025-025-BR	M2,5	25	6	5
P0060.025-030-BR	M2,5	30	6	5
P0060.025-035-BR	M2,5	35	6	5
P0060.025-040-BR	M2,5	40	6	5
P0060.025-045-BR	M2,5	45	10	5
P0060.030-005-BR	M3	5	5	5
P0060.030-008-BR	M3	8	8	5
P0060.030-010-BR	M3	10	10	5
P0060.030-012-BR	M3	12	6	5
P0060.030-015-BR	M3	15	7	5
P0060.030-018-BR	M3	18	7	5
P0060.030-020-BR	M3	20	7	5
P0060.030-025-BR	M3	25	7	5
P0060.030-030-BR	M3	30	7	5
P0060.030-035-BR	M3	35	7	5



Brass Hexagonal Spacers

Brass



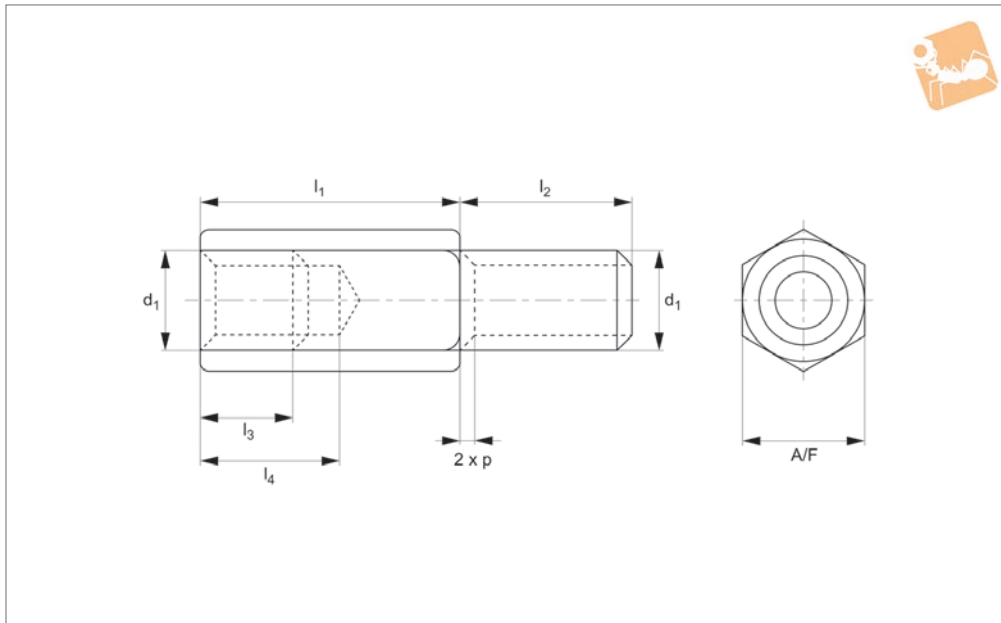
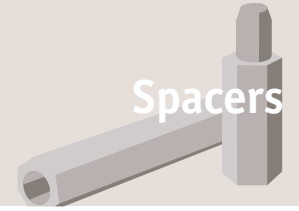
SPACERS

Order No.	d ₁	l ₁ tol. js13	l ₂	A/F
P0060.030-040-BR	M3	40	7	5
P0060.030-045-BR	M3	45	10	5
P0060.030-050-BR	M3	50	10	5
P0060.040-005-BR	M4	5	5	7
P0060.040-008-BR	M4	8	8	7
P0060.040-010-BR	M4	10	10	7
P0060.040-012-BR	M4	12	12	7
P0060.040-015-BR	M4	15	7	7
P0060.040-018-BR	M4	18	9	7
P0060.040-020-BR	M4	20	9	7
P0060.040-025-BR	M4	25	9	7
P0060.040-030-BR	M4	30	9	7
P0060.040-035-BR	M4	35	9	7
P0060.040-040-BR	M4	40	9	7
P0060.040-045-BR	M4	45	9	7
P0060.040-050-BR	M4	50	9	7
P0060.040-055-BR	M4	55	9	7
P0060.040-060-BR	M4	60	9	7
P0060.050-010-BR	M5	10	10	8
P0060.050-012-BR	M5	12	12	8
P0060.050-020-BR	M5	20	10	8
P0060.050-025-BR	M5	25	10	8
P0060.050-030-BR	M5	30	10	8
P0060.050-035-BR	M5	35	10	8
P0060.050-040-BR	M5	40	10	8
P0060.050-045-BR	M5	45	10	8
P0060.050-050-BR	M5	50	11	8
P0060.050-055-BR	M5	55	11	8
P0060.050-060-BR	M5	60	11	8
P0060.050-070-BR	M5	70	11	8
P0060.050-080-BR	M5	80	11	8
P0060.060-015-BR	M6	15	15	10
P0060.060-025-BR	M6	25	10	10
P0060.060-030-BR	M6	30	10	10
P0060.060-035-BR	M6	35	12	10
P0060.060-040-BR	M6	40	12	10
P0060.060-045-BR	M6	45	12	10
P0060.060-050-BR	M6	50	12	10



Steel Hexagonal Pillars

Steel - zinc-plated



P0061.ZP

SPACERS

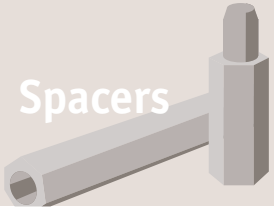
Material

Mild steel, zinc-plated.

Technical Notes

$l_4 = (l_3 + >1\text{mm})$.

Order No.	d ₁	l ₁ tol. js13	l ₂	l ₃	A/F
P0061.025-005-ZP	M2,5	5	6	2.5	5
P0061.025-008-ZP	M2,5	8	6	5.5	5
P0061.025-010-ZP	M2,5	10	6	5.5	5
P0061.025-012-ZP	M2,5	12	6	7.0	5
P0061.025-015-ZP	M2,5	15	6	7.0	5
P0061.025-020-ZP	M2,5	20	6	7.0	5
P0061.025-025-ZP	M2,5	25	6	7.0	5
P0061.030-005-ZP	M 3	5	6	2.5	5.5
P0061.030-008-ZP	M 3	8	6	5.0	5.5
P0061.030-010-ZP	M 3	10	6	5.0	5.5
P0061.030-012-ZP	M 3	12	6	6.5	5.5
P0061.030-015-ZP	M 3	15	6	7.5	5.5
P0061.030-018-ZP	M 3	18	6	8.0	5.5
P0061.030-020-ZP	M 3	20	6	7.0	5.5
P0061.030-025-ZP	M 3	25	6	7.0	5.5
P0061.030-030-ZP	M 3	30	6	7.0	5.5
P0061.030-035-ZP	M 3	35	6	7.0	5.5
P0061.030-040-ZP	M 3	40	6	7.0	5.5
P0061.030-045-ZP	M 3	45	6	7.0	5.5
P0061.030-050-ZP	M 3	50	6	7.0	5.5
P0061.030-060-ZP	M 3	60	6	7.0	5.5
P0061.030-070-ZP	M 3	70	6	7.0	5.5
P0061.030-080-ZP	M 3	80	6	7.0	5.5
P0061.040-005-ZP	M 4	5	8	2.3	7
P0061.040-008-ZP	M 4	8	8	4.5	7
P0061.040-010-ZP	M 4	10	8	6.0	7
P0061.040-012-ZP	M 4	12	8	8.0	7
P0061.040-015-ZP	M 4	15	8	9.0	7
P0061.040-018-ZP	M 4	18	8	9.0	7
P0061.040-020-ZP	M 4	20	8	9.0	7
P0061.040-025-ZP	M 4	25	8	9.0	7
P0061.040-030-ZP	M 4	30	8	9.0	7
P0061.040-035-ZP	M 4	35	8	9.0	7
P0061.040-040-ZP	M 4	40	8	9.0	7



Steel Hexagonal Pillars

Steel - zinc-plated



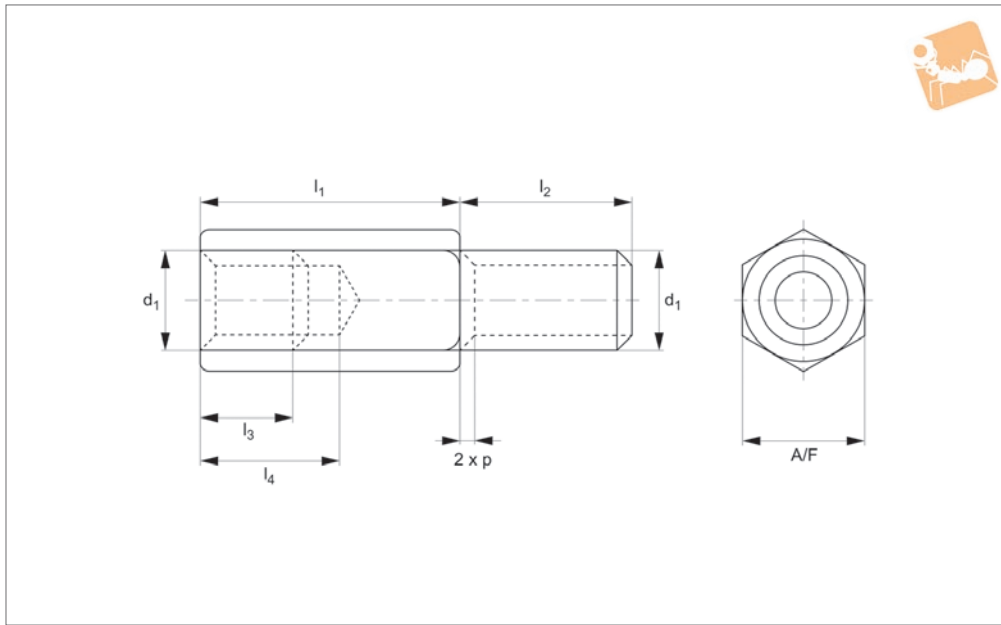
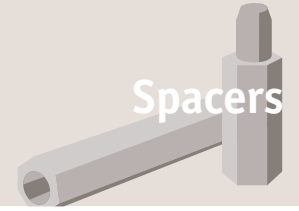
SPACERS

Order No.	d ₁	l ₁ tol. js13	l ₂	l ₃	A/F
P0061.040-045-ZP	M 4	45	8	9.0	7
P0061.040-050-ZP	M 4	50	8	9.0	7
P0061.040-055-ZP	M 4	55	8	9.0	7
P0061.040-060-ZP	M 4	60	8	9.0	7
P0061.040-070-ZP	M 4	70	8	9.0	7
P0061.040-080-ZP	M 4	80	8	9.0	7
P0061.050-008-ZP	M 5	8	10	5.0	8
P0061.050-010-ZP	M 5	10	10	5.5	8
P0061.050-012-ZP	M 5	12	10	8.0	8
P0061.050-015-ZP	M 5	15	10	9.0	8
P0061.050-018-ZP	M 5	18	10	10.0	8
P0061.050-020-ZP	M 5	20	10	11.0	8
P0061.050-025-ZP	M 5	25	10	11.0	8
P0061.050-030-ZP	M 5	30	10	11.0	8
P0061.050-035-ZP	M 5	35	10	11.0	8
P0061.050-040-ZP	M 5	40	10	11.0	8
P0061.050-045-ZP	M 5	45	10	11.0	8
P0061.050-050-ZP	M 5	50	10	11.0	8
P0061.050-055-ZP	M 5	55	10	11.0	8
P0061.050-060-ZP	M 5	60	10	11.0	8
P0061.050-070-ZP	M 5	70	10	11.0	8
P0061.050-080-ZP	M 5	80	10	11.0	8
P0061.060-010-ZP	M 6	10	12	6.0	10
P0061.060-012-ZP	M 6	12	12	6.0	10
P0061.060-015-ZP	M 6	15	12	11.0	10
P0061.060-018-ZP	M 6	18	12	12.0	10
P0061.060-020-ZP	M 6	20	12	12.0	10
P0061.060-025-ZP	M 6	25	12	12.0	10
P0061.060-030-ZP	M 6	30	12	12.0	10
P0061.060-035-ZP	M 6	35	12	12.0	10
P0061.060-040-ZP	M 6	40	12	12.0	10
P0061.060-045-ZP	M 6	45	12	12.0	10
P0061.060-050-ZP	M 6	50	12	12.0	10
P0061.060-055-ZP	M 6	55	12	12.0	10
P0061.060-060-ZP	M 6	60	12	12.0	10
P0061.060-070-ZP	M 6	70	12	12.0	10
P0061.060-080-ZP	M 6	80	12	12.0	10
P0061.080-010-ZP	M 8	10	14	6.0	13
P0061.080-015-ZP	M 8	15	14	8.0	13
P0061.080-018-ZP	M 8	18	14	12.0	13
P0061.080-020-ZP	M 8	20	14	12.0	13
P0061.080-025-ZP	M 8	25	14	15.0	13
P0061.080-030-ZP	M 8	30	14	15.0	13
P0061.080-035-ZP	M 8	35	14	15.0	13
P0061.080-040-ZP	M 8	40	14	15.0	13
P0061.080-045-ZP	M 8	45	14	15.0	13
P0061.080-050-ZP	M 8	50	14	15.0	13
P0061.080-060-ZP	M 8	60	14	15.0	13
P0061.080-070-ZP	M 8	70	14	15.0	13
P0061.080-080-ZP	M 8	80	14	15.0	13



Stainless Hexagonal Pillars

303 stainless



P0061.A2

SPACERS

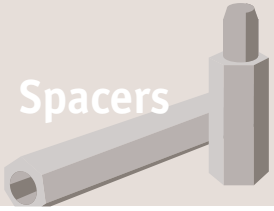
Material

Stainless steel (AISI 303, 1.4305)

Technical Notes

$l_4 = (l_3 + >1\text{mm})$.

Order No.	d ₁	l ₁ tol. js13	l ₂	l ₃	A/F
P0061.025-005-A2	M2,5	5	6	2.5	5
P0061.025-010-A2	M2,5	10	6	7.0	5
P0061.025-012-A2	M2,5	12	6	7.0	5
P0061.025-016-A2	M2,5	16	6	7.0	5
P0061.030-005-A2	M 3	5	8	2.5	5.5
P0061.030-008-A2	M 3	8	6	5.0	5.5
P0061.030-010-A2	M 3	10	8	6.5	5.5
P0061.030-012-A2	M 3	12	8	7.0	5.5
P0061.030-015-A2	M 3	15	8	8.0	5.5
P0061.030-018-A2	M 3	18	8	7.0	5.5
P0061.030-020-A2	M 3	20	8	7.0	5.5
P0061.030-025-A2	M 3	25	8	7.0	5.5
P0061.030-030-A2	M 3	30	8	7.0	5.5
P0061.030-035-A2	M 3	35	8	7.0	5.5
P0061.030-040-A2	M 3	40	8	7.0	5.5
P0061.030-045-A2	M 3	45	8	7.0	5.5
P0061.030-050-A2	M 3	50	8	7.0	5.5
P0061.030-055-A2	M 3	55	8	7.0	5.5
P0061.030-060-A2	M 3	60	8	7.0	5.5
P0061.030-070-A2	M 3	70	8	7.0	5.5
P0061.040-006-A2	M 4	6	8	3.5	7
P0061.040-008-A2	M 4	8	8	4.5	7
P0061.040-010-A2	M 4	10	8	6.0	7
P0061.040-015-A2	M 4	15	8	9.0	7
P0061.040-018-A2	M 4	18	8	9.0	7
P0061.040-020-A2	M 4	20	8	9.0	7
P0061.040-025-A2	M 4	25	8	9.0	7
P0061.040-030-A2	M 4	30	8	9.0	7
P0061.040-035-A2	M 4	35	8	9.0	7
P0061.040-040-A2	M 4	40	8	9.0	7
P0061.040-050-A2	M 4	50	8	9.0	7
P0061.040-055-A2	M 4	55	8	9.0	7
P0061.040-060-A2	M 4	60	8	9.0	7
P0061.050-008-A2	M 5	8	10	4.5	8



Stainless Hexagonal Pillars

303 stainless



SPACERS

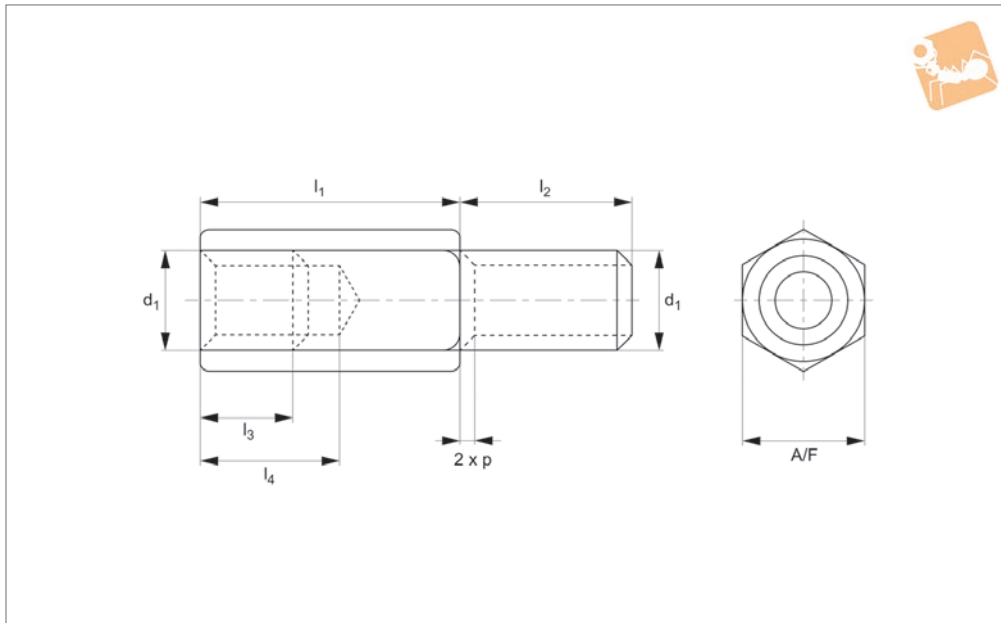
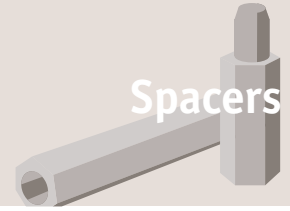
Order No.	d ₁	l ₁ tol. js13	l ₂	l ₃	A/F
P0061.050-010-A2	M 5	10	10	5.5	8
P0061.050-012-A2	M 5	12	10	8.0	8
P0061.050-015-A2	M 5	15	10	9.0	8
P0061.050-020-A2	M 5	20	10	11.0	8
P0061.050-025-A2	M 5	25	10	11.0	8
P0061.050-030-A2	M 5	30	10	11.0	8
P0061.050-035-A2	M 5	35	10	11.0	8
P0061.050-040-A2	M 5	40	10	11.0	8
P0061.050-050-A2	M 5	50	10	11.0	8
P0061.050-060-A2	M 5	60	10	11.0	8
P0061.050-080-A2	M 5	80	10	11.0	8
P0061.060-010-A2	M 6	10	12	6.0	10
P0061.060-015-A2	M 6	15	12	11.0	10
P0061.060-020-A2	M 6	20	12	12.0	10
P0061.060-025-A2	M 6	25	12	12.0	10
P0061.060-030-A2	M 6	30	12	12.0	10
P0061.060-035-A2	M 6	35	12	12.0	10
P0061.060-040-A2	M 6	40	12	12.0	10
P0061.060-045-A2	M 6	45	12	12.0	10
P0061.060-050-A2	M 6	50	12	12.0	10
P0061.060-060-A2	M 6	60	12	12.0	10
P0061.060-070-A2	M 6	70	12	12.0	10
P0061.060-080-A2	M 6	80	12	12.0	10
P0061.060-085-A2	M 6	85	12	12.0	10
P0061.060-090-A2	M 6	90	12	12.0	10



Brass Hexagonal Pillars

Brass

Spacers



P0061.BR

SPACERS

Material

Brass (CZ 121), bright nickel-plated.

Technical Notes

$l_4 = (l_3 + >1\text{mm})$.

Order No.	d ₁	l ₁ tol. js13	l ₂	l ₃	A/F
P0061.020-005-BR	M 2	5	6	2.8	4
P0061.020-008-BR	M 2	8	6	6	4
P0061.020-010-BR	M 2	10	6	7	4
P0061.020-012-BR	M 2	12	6	7	4
P0061.020-015-BR	M 2	15	6	7	4
P0061.020-020-BR	M 2	20	5	7	4
P0061.020-025-BR	M 2	25	6	7	4
P0061.020-030-BR	M 2	30	6	7	4
P0061.025-005-BR	M2,5	5	6	2.5	4
P0061.025-008-BR	M2,5	8	6	5.5	4
P0061.025-010-BR	M2,5	10	6	7	4
P0061.025-012-BR	M2,5	12	6	7	4
P0061.025-015-BR	M2,5	15	6	7	4
P0061.025-018-BR	M2,5	18	6	7	4
P0061.025-020-BR	M2,5	20	6	7	4
P0061.025-025-BR	M2,5	25	6	7	4
P0061.025-030-BR	M2,5	30	6	7	4
P0061.025-040-BR	M2,5	40	6	7	4
P0061.025-050-BR	M2,5	50	6	7	4
P0061.030-005-BR	M 3	5	8	2.5	5.5
P0061.030-008-BR	M 3	8	8	5	5.5
P0061.030-010-BR	M 3	10	8	6.5	5.5
P0061.030-012-BR	M 3	12	8	7	5.5
P0061.030-015-BR	M 3	15	8	8	5.5
P0061.030-018-BR	M 3	18	8	7	5.5
P0061.030-020-BR	M 3	20	8	7	5.5
P0061.030-025-BR	M 3	25	8	7	5.5
P0061.030-030-BR	M 3	30	8	7	5.5
P0061.030-035-BR	M 3	35	8	7	5.5
P0061.030-040-BR	M 3	40	8	7	5.5
P0061.030-045-BR	M 3	45	8	7	5.5
P0061.030-050-BR	M 3	50	8	7	5.5
P0061.030-055-BR	M 3	55	8	7	5.5
P0061.030-060-BR	M 3	60	8	7	5.5



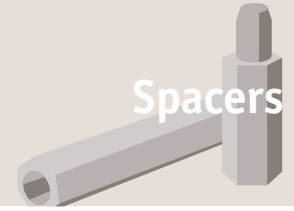
SPACERS

Order No.	d ₁	l ₁ tol. js13	l ₂	l ₃	A/F
P0061.040-005-BR	M 4	5	8	2.3	7
P0061.040-008-BR	M 4	8	8	4.5	7
P0061.040-010-BR	M 4	10	8	6	7
P0061.040-012-BR	M 4	12	8	6	7
P0061.040-015-BR	M 4	15	8	9	7
P0061.040-018-BR	M 4	18	8	9	7
P0061.040-020-BR	M 4	20	8	9	7
P0061.040-025-BR	M 4	25	8	9	7
P0061.040-030-BR	M 4	30	8	9	7
P0061.040-035-BR	M 4	35	10	9	7
P0061.040-040-BR	M 4	40	8	9	7
P0061.040-045-BR	M 4	45	8	9	7
P0061.040-050-BR	M 4	50	8	9	7
P0061.040-055-BR	M 4	55	8	9	7
P0061.040-060-BR	M 4	60	8	9	7
P0061.040-065-BR	M 4	65	8	9	7
P0061.040-070-BR	M 4	70	10	9	7
P0061.040-080-BR	M 4	80	8	9	7
P0061.050-010-BR	M 5	10	10	5.5	8
P0061.050-012-BR	M 5	12	10	8	8
P0061.050-015-BR	M 5	15	10	9	8
P0061.050-018-BR	M 5	18	10	10	8
P0061.050-020-BR	M 5	20	10	10	8
P0061.050-025-BR	M 5	25	10	10	8
P0061.050-030-BR	M 5	30	10	10	8
P0061.050-035-BR	M 5	35	10	10	8
P0061.050-040-BR	M 5	40	10	10	8
P0061.050-045-BR	M 5	45	10	10	8
P0061.050-050-BR	M 5	50	10	10	8
P0061.050-060-BR	M 5	60	10	10	8
P0061.060-012-BR	M 6	12	12	6.0	10
P0061.060-015-BR	M 6	15	12	11	10
P0061.060-020-BR	M 6	20	12	12	10
P0061.060-025-BR	M 6	25	12	12	10
P0061.060-030-BR	M 6	30	12	12	10
P0061.060-035-BR	M 6	35	12	12	10
P0061.060-040-BR	M 6	40	12	12	10
P0061.060-045-BR	M 6	45	12	12	10

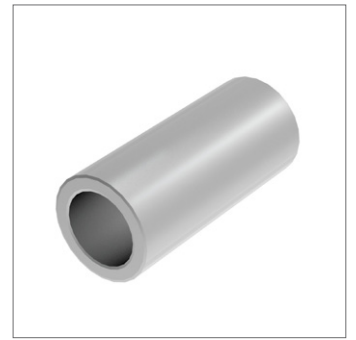
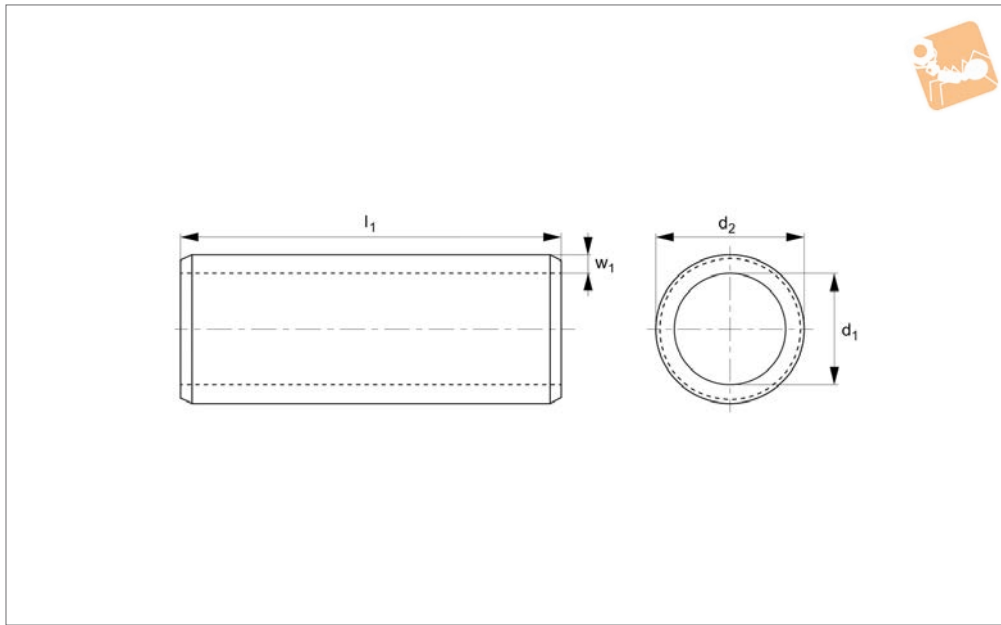


Steel Clearance Spacers

Steel - zinc-plated



Spacers



P0065.ZP

SPACERS

Material

Mild steel (AISI 1010, CS4), zinc plated.

ring process makes them very cost-effective.

Technical Notes

These are rolled spacers - the manufactu-

Order No.	For thread	l_1 +0 -0.2	d_1	d_2	w_1
P0065.025-002-ZP	M2,5	2	2.7	4.5	0.9
P0065.025-003-ZP	M2,5	3	2.7	4.5	0.9
P0065.025-004-ZP	M2,5	4	2.7	4.5	0.9
P0065.025-005-ZP	M2,5	5	2.7	4.5	0.9
P0065.025-006-ZP	M2,5	6	2.7	4.5	0.9
P0065.025-010-ZP	M2,5	10	2.7	4.5	0.9
P0065.025-012-ZP	M2,5	12	2.7	4.5	0.9
P0065.025-015-ZP	M2,5	15	2.7	4.5	0.9
P0065.025-018-ZP	M2,5	18	2.7	4.5	0.9
P0065.030-002-ZP	M 3	2	3.4	5.0	0.8
P0065.030-003-ZP	M 3	3	3.4	5.0	0.8
P0065.030-004-ZP	M 3	4	3.4	5.0	0.8
P0065.030-006-ZP	M 3	6	3.4	5.0	0.8
P0065.030-008-ZP	M 3	8	3.4	5.0	0.8
P0065.030-010-ZP	M 3	10	3.4	5.0	0.8
P0065.030-012-ZP	M 3	12	3.4	5.0	0.8
P0065.030-015-ZP	M 3	15	3.4	5.0	0.8
P0065.030-018-ZP	M 3	18	3.4	5.0	0.8
P0065.030-030-ZP	M 3	30	3.4	5.0	0.8
P0065.040-002-ZP	M 4	2	4.5	6.0	0.75
P0065.040-003-ZP	M 4	3	4.5	6.0	0.75
P0065.040-004-ZP	M 4	4	4.5	6.0	0.75
P0065.040-006-ZP	M 4	6	4.5	6.0	0.75
P0065.040-008-ZP	M 4	8	4.5	6.0	0.75
P0065.040-010-ZP	M 4	10	4.5	6.0	0.75
P0065.040-012-ZP	M 4	12	4.5	6.0	0.75
P0065.040-015-ZP	M 4	15	4.5	6.0	0.75
P0065.040-018-ZP	M 4	18	4.5	6.0	0.75
P0065.040-020-ZP	M 4	20	4.5	6.0	0.75
P0065.040-024-ZP	M 4	24	4.5	6.0	0.75
P0065.040-028-ZP	M 4	28	4.5	6.0	0.75
P0065.040-030-ZP	M 4	30	4.5	6.0	0.75
P0065.040-035-ZP	M 4	35	4.5	6.0	0.75
P0065.040-050-ZP	M 4	50	4.5	6.0	0.75



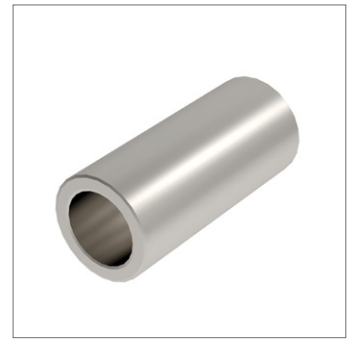
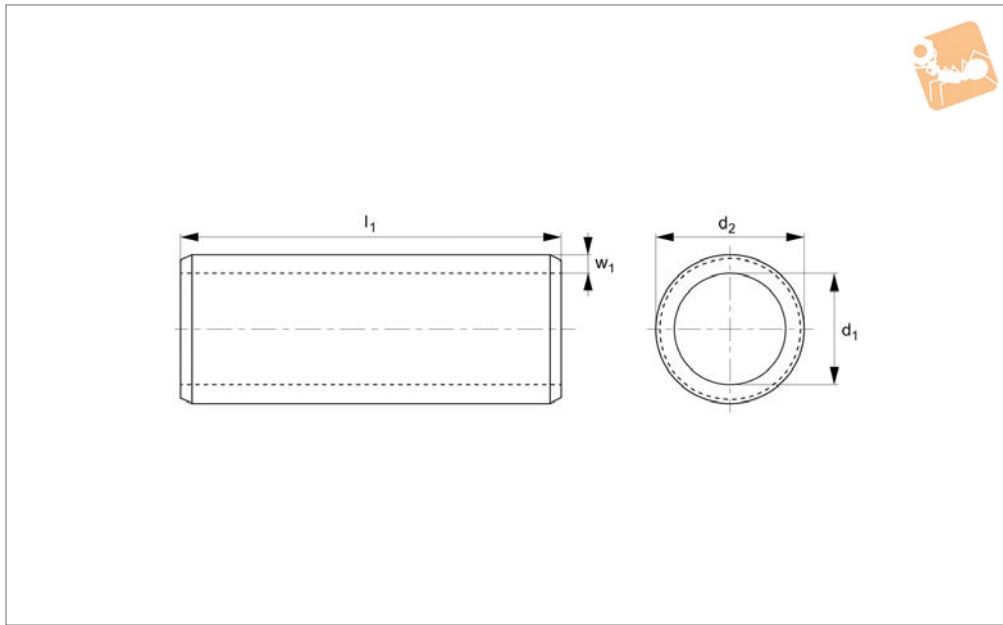
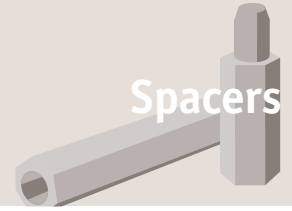
Order No.	For thread	l_1 +0 -0.2	d_1	d_2	w_1
P0065.050-006-ZP	M 5	6	5.6	8.0	1.2
P0065.050-008-ZP	M 5	8	5.6	8.0	1.2
P0065.050-010-ZP	M 5	10	5.6	8.0	1.2
P0065.050-012-ZP	M 5	12	5.6	8.0	1.2
P0065.050-015-ZP	M 5	15	5.6	8.0	1.2
P0065.050-018-ZP	M 5	18	5.6	8.0	1.2
P0065.050-020-ZP	M 5	20	5.6	8.0	1.2
P0065.050-024-ZP	M 5	24	5.6	8.0	1.2
P0065.050-028-ZP	M 5	28	5.6	8.0	1.2
P0065.050-030-ZP	M 5	30	5.6	8.0	1.2
P0065.050-035-ZP	M 5	35	5.6	8.0	1.2
P0065.050-040-ZP	M 5	40	5.6	8.0	1.2
P0065.060-004-ZP	M 6	4	6.4	10.0	1.8
P0065.060-006-ZP	M 6	6	6.4	10.0	1.8
P0065.060-008-ZP	M 6	8	6.4	10.0	1.8
P0065.060-010-ZP	M 6	10	6.4	10.0	1.8
P0065.060-012-ZP	M 6	12	6.4	10.0	1.8
P0065.060-015-ZP	M 6	15	6.4	10.0	1.8
P0065.060-020-ZP	M 6	20	6.4	10.0	1.8
P0065.060-024-ZP	M 6	24	6.4	10.0	1.8
P0065.060-025-ZP	M 6	25	6.4	10.0	1.8
P0065.060-028-ZP	M 6	28	6.4	10.0	1.8
P0065.060-030-ZP	M 6	30	6.4	10.0	1.8
P0065.060-035-ZP	M 6	35	6.4	10.0	1.8
P0065.060-040-ZP	M 6	40	6.4	10.0	1.8
P0065.080-004-ZP	M 8	4	8.4	12.0	1.8
P0065.080-006-ZP	M 8	6	8.4	12.0	1.8
P0065.080-010-ZP	M 8	10	8.4	12.0	1.8
P0065.080-012-ZP	M 8	12	8.4	12.0	1.8
P0065.080-015-ZP	M 8	15	8.4	12.0	1.8
P0065.080-020-ZP	M 8	20	8.4	12.0	1.8
P0065.080-025-ZP	M 8	25	8.4	12.0	1.8
P0065.080-030-ZP	M 8	30	8.4	12.0	1.8
P0065.080-050-ZP	M 8	50	8.4	12.0	1.8
P0065.100-004-ZP	M10	4	10.4	16.0	2.8
P0065.100-006-ZP	M10	6	10.4	16.0	2.8
P0065.100-008-ZP	M10	8	10.4	16.0	2.8
P0065.100-010-ZP	M10	10	10.4	16.0	2.8
P0065.100-012-ZP	M10	12	10.4	16.0	2.8
P0065.100-016-ZP	M10	16	10.4	16.0	2.8
P0065.100-018-ZP	M10	18	10.4	16.0	2.8
P0065.100-024-ZP	M10	24	10.4	16.0	2.8
P0065.100-030-ZP	M10	30	10.4	16.0	2.8
P0065.120-003-ZP	M12	3	12.4	16.0	1.8
P0065.120-005-ZP	M12	5	12.4	16.0	1.8
P0065.120-008-ZP	M12	8	12.4	16.0	1.8
P0065.120-010-ZP	M12	10	12.4	16.0	1.8
P0065.120-015-ZP	M12	15	12.4	16.0	1.8
P0065.120-020-ZP	M12	20	12.4	16.0	1.8



Stainless Clearance Spacers

A2 stainless

Spacers



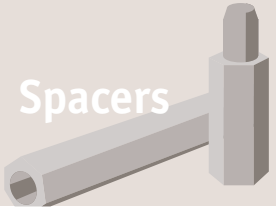
P0065.A2

SPACERS

Material

Stainless steel (A2, AISI 303).

Order No.	For thread	l_1	d_1	d_2	w
P0065.030-002-A2	M3	2	3.4	5.0	0.8
P0065.030-003-A2	M3	3	3.4	5.0	0.8
P0065.030-004-A2	M3	4	3.4	5.0	0.8
P0065.030-005-A2	M3	5	3.4	5.0	0.8
P0065.030-006-A2	M3	6	3.4	5.0	0.8
P0065.030-008-A2	M3	8	3.4	5.0	0.8
P0065.030-010-A2	M3	10	3.4	5.0	0.8
P0065.030-012-A2	M3	12	3.4	5.0	0.8
P0065.030-015-A2	M3	15	3.4	5.0	0.8
P0065.030-020-A2	M3	20	3.4	5.0	0.8
P0065.030-025-A2	M3	25	3.4	5.0	0.8
P0065.030-030-A2	M3	30	3.4	5.0	0.8
P0065.040-002-A2	M4	2	4.5	6.0	0.75
P0065.040-003-A2	M4	3	4.5	6.0	0.75
P0065.040-004-A2	M4	4	4.5	6.0	0.75
P0065.040-005-A2	M4	5	4.5	6.0	0.75
P0065.040-006-A2	M4	6	4.5	6.0	0.75
P0065.040-008-A2	M4	8	4.5	6.0	0.75
P0065.040-010-A2	M4	10	4.5	6.0	0.75
P0065.040-015-A2	M4	15	4.5	6.0	0.75
P0065.040-020-A2	M4	20	4.5	6.0	0.75
P0065.040-025-A2	M4	25	4.5	6.0	0.75
P0065.040-030-A2	M4	30	4.5	6.0	0.75
P0065.050-004-A2	M5	4	6.0	8.0	1.0
P0065.050-005-A2	M5	5	6.0	8.0	1.0
P0065.050-010-A2	M5	10	6.0	8.0	1.0
P0065.050-015-A2	M5	15	6.0	8.0	1.0
P0065.050-020-A2	M5	20	6.0	8.0	1.0
P0065.060-002-A2	M6	2	6.4	10.0	1.8
P0065.060-005-A2	M6	5	6.4	10.0	1.8
P0065.060-006-A2	M6	6	6.4	10.0	1.8
P0065.060-010-A2	M6	10	6.4	10.0	1.8
P0065.060-015-A2	M6	15	6.4	10.0	1.8
P0065.060-020-A2	M6	20	6.4	10.0	1.8
P0065.060-025-A2	M6	25	6.4	10.0	1.8



Stainless Clearance Spacers

A2 stainless



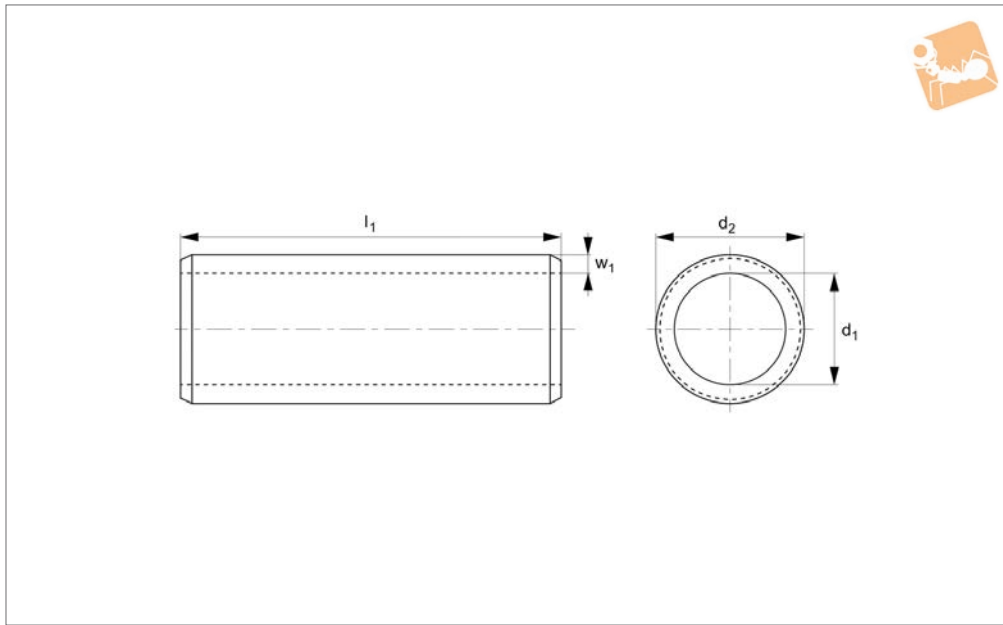
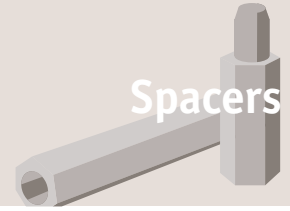
Order No.	For thread	l_1	d_1	d_2	w
P0065.060-030-A2	M6	30	6.4	10.0	1.8



Brass Clearance Spacers

Brass

Spacers



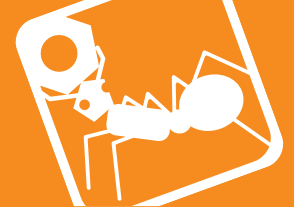
P0065.BR

SPACERS

Material

Brass, nickel plated.

Order No.	For thread	l_1	d_1	d_2	w_1
P0065.020-001-BR	M2	1	2.2	4.0	0.8
P0065.020-002-BR	M2	2	2.2	4.0	0.8
P0065.020-003-BR	M2	3	2.2	4.0	0.8
P0065.020-004-BR	M2	4	2.2	4.0	0.8
P0065.020-005-BR	M2	5	2.2	4.0	0.8
P0065.020-006-BR	M2	6	2.2	4.0	0.8
P0065.020-008-BR	M2	8	2.2	4.0	0.8
P0065.020-010-BR	M2	10	2.2	4.0	0.8
P0065.020-012-BR	M2	12	2.2	4.0	0.8
P0065.020-015-BR	M2	15	2.2	4.0	0.8
P0065.020-018-BR	M2	18	2.2	4.0	0.8
P0065.020-020-BR	M2	20	2.2	4.0	0.8
P0065.025-001-BR	M2,5	1	2.6	4.5	0.9
P0065.025-002-BR	M2,5	2	2.6	4.5	0.9
P0065.025-003-BR	M2,5	3	2.6	4.5	0.9
P0065.025-004-BR	M2,5	4	2.6	4.5	0.9
P0065.025-005-BR	M2,5	5	2.6	4.5	0.9
P0065.025-006-BR	M2,5	6	2.6	4.5	0.9
P0065.025-008-BR	M2,5	8	2.6	4.5	0.9
P0065.025-010-BR	M2,5	10	2.6	4.5	0.9
P0065.025-015-BR	M2,5	15	2.6	4.5	0.9
P0065.025-020-BR	M2,5	20	2.6	4.5	0.9
P0065.030-001-BR	M3	1	3.2	6.0	0.8
P0065.030-002-BR	M3	2	3.2	6.0	0.8
P0065.030-003-BR	M3	3	3.2	6.0	0.8
P0065.030-004-BR	M3	4	3.2	6.0	0.8
P0065.030-005-BR	M3	5	3.2	6.0	0.8
P0065.030-006-BR	M3	6	3.2	6.0	0.8
P0065.030-008-BR	M3	8	3.2	6.0	0.8
P0065.030-010-BR	M3	10	3.2	6.0	0.8
P0065.030-015-BR	M3	15	3.2	6.0	0.8
P0065.030-020-BR	M3	20	3.2	6.0	0.8
P0065.030-025-BR	M3	25	3.2	6.0	0.8
P0065.030-030-BR	M3	30	3.2	6.0	0.8
P0065.030-035-BR	M3	35	3.2	6.0	0.8



Order No.	For thread	l_1	d_1	d_2	w_1
P0065.040-001-BR	M4	1	4.3	8.0	0.75
P0065.040-003-BR	M4	3	4.3	8.0	0.75
P0065.040-004-BR	M4	4	4.3	8.0	0.75
P0065.040-005-BR	M4	5	4.3	8.0	0.75
P0065.040-006-BR	M4	6	4.3	8.0	0.75
P0065.040-008-BR	M4	8	4.3	8.0	0.75
P0065.040-010-BR	M4	10	4.3	8.0	0.75
P0065.040-015-BR	M4	15	4.3	8.0	0.75
P0065.040-020-BR	M4	20	4.3	8.0	0.75
P0065.040-025-BR	M4	25	4.3	8.0	0.75
P0065.040-030-BR	M4	30	4.3	8.0	0.75
P0065.040-035-BR	M4	35	4.3	8.0	0.75
P0065.040-040-BR	M4	40	4.3	8.0	0.75
P0065.040-050-BR	M4	50	4.3	8.0	0.75
P0065.050-001-BR	M5	1	5.4	10.0	1.2
P0065.050-002-BR	M5	2	5.4	10.0	1.2
P0065.050-003-BR	M5	3	5.4	10.0	1.2
P0065.050-005-BR	M5	5	5.4	10.0	1.2
P0065.050-006-BR	M5	6	5.4	10.0	1.2
P0065.050-008-BR	M5	8	5.4	10.0	1.2
P0065.050-010-BR	M5	10	5.4	10.0	1.2
P0065.050-015-BR	M5	15	5.4	10.0	1.2
P0065.050-020-BR	M5	20	5.4	10.0	1.2
P0065.050-025-BR	M5	25	5.4	10.0	1.2
P0065.050-030-BR	M5	30	5.4	10.0	1.2
P0065.050-035-BR	M5	35	5.4	10.0	1.2
P0065.050-040-BR	M5	40	5.4	10.0	1.2
P0065.050-050-BR	M5	50	5.4	10.0	1.2
P0065.060-001-BR	M6	1	6.4	11.0	1.8
P0065.060-003-BR	M6	3	6.4	11.0	1.8
P0065.060-005-BR	M6	5	6.4	11.0	1.8
P0065.060-008-BR	M6	8	6.4	11.0	1.8
P0065.060-010-BR	M6	10	6.4	11.0	1.8
P0065.060-015-BR	M6	15	6.4	11.0	1.8
P0065.060-020-BR	M6	20	6.4	11.0	1.8
P0065.060-025-BR	M6	25	6.4	11.0	1.8
P0065.060-030-BR	M6	30	6.4	11.0	1.8
P0065.060-035-BR	M6	35	6.4	11.0	1.8
P0065.060-040-BR	M6	40	6.4	11.0	1.8
P0065.060-050-BR	M6	50	6.4	11.0	1.8